

Thank you for purchasing a Sealey product. Manufactured to a high standard this article will, if used according to these instructions and properly maintained, give you years of trouble free performance.



**IMPORTANT: PLEASE READ THESE INSTRUCTIONS CAREFULLY. NOTE THE SAFE OPERATIONAL REQUIREMENTS, WARNINGS AND CAUTIONS. USE THIS PRODUCT CORRECTLY AND WITH CARE FOR THE PURPOSE FOR WHICH IT IS INTENDED. FAILURE TO DO SO MAY CAUSE DAMAGE AND/OR PERSONAL INJURY AND WILL INVALIDATE THE WARRANTY. PLEASE KEEP INSTRUCTIONS SAFE FOR FUTURE USE.**

### 1. SAFETY INSTRUCTIONS

#### 1.1. GENERAL SAFETY

- ✓ Follow all workshop safety rules, regulations and conditions when using the gun.
- ✓ Remove the battery pack from the gun before servicing or performing any maintenance.
- ✓ Maintain the gun and battery pack in good condition. Check moving parts for alignment on a regular basis.
- ✓ Replace or repair damaged parts. *Use an authorised service agent and recommended parts only. Unauthorised parts may be dangerous and will invalidate the warranty.*
- ✓ Keep the gun, battery pack and charger clean for optimum performance.
- ✓ Use approved eye and ear protection.
- ✓ Keep the work area clean and tidy and free from unrelated materials.
- ✓ Maintain correct balance and footing. Ensure the floor is not slippery and wear non-slip shoes.
- ✓ Keep children and unauthorised persons away from the work area.
- x DO NOT operate the gun if any parts are missing as this may cause failure and/or personal injury.
- x DO NOT operate the gun where there are solvent fumes or flammable gases, liquids or solids.
- x DO NOT use the gun for a task it is not designed to perform.
- x DO NOT operate the gun when you are tired or under the influence of alcohol, drugs or intoxicating medication.
- x DO NOT get the gun or battery charger wet or use in damp or wet locations.
- ✓ Keep gun and charger in the case and store in a safe, dry, childproof area where the temperature will not exceed 104°F (40°C).

#### 1.2. BATTERY SAFETY INSTRUCTIONS

- ✓ Use only the charger provided to charge the battery pack.
- x DO NOT charge the battery pack when room temperature is below 50°F (10°C) or above 95°F (35°C).
- x DO NOT attempt recharging the pack by means of an engine generator or a DC power source.
- x DO NOT short-circuit the battery pack by touching both terminals at the same time with a metal object, or your fingers etc.
- x DO NOT store battery pack (or gun) in locations where the temperature may exceed 104°F (40°C) e.g. in outside sheds, above heaters etc.
- ▲ **DANGER!** DO NOT attempt to disassemble the battery pack. For safety and environmental reasons DO NOT discard in domestic waste or by burning. ONLY discard or recycle according to local authority regulations.
- **WARNING!** DO NOT allow a leaking battery to contact your person. If you come into contact with battery liquid take the following immediate action:
  - a) **Skin contact:** Wash immediately with soap and water, then wash in either lemon juice or vinegar.
  - b) **Eye contact:** Wash with a strong solution of boric acid and seek immediate medical attention.

#### 1.3. MAINS POWER ELECTRICAL SAFETY (In relation to the battery charger)

- **WARNING!** It is the user's/owner's responsibility to check the following:
  - You must** check all electrical equipment and appliances to ensure that they are safe before using. **You must** inspect power supply leads, plugs and all electrical connections for wear and damage. **You must** ensure the risk of electric shock is minimised by the installation of appropriate safety devices. An RCCB (Residual Current Circuit Breaker) should be incorporated in the main distribution board. We recommend that an RCD (Residual Current Device) is used with all electrical products. It is particularly important to use an RCD with portable products that are plugged into a supply not protected by an RCCB. If in doubt consult a qualified electrician. You may obtain an RCD by contacting your local Sealey dealer. **You must** also read and understand the following instructions concerning electrical safety.
- 1.3.1. The **Electricity At Work Act 1989** requires all portable electrical appliances, if used on business premises, to be tested by a qualified person, using a Portable Appliance Tester (PAT), at least once a year.
- 1.3.2. The **Health & Safety at Work Act 1974** makes owners of electrical appliances responsible for the safe condition of the appliance and the safety of the appliance operator. **If in any doubt about electrical safety, contact a qualified electrician.**
- 1.3.3. DO ensure that the insulation on all cables and the product itself is safe before connecting to the mains power supply. See 1.3.1. above and use a Portable Appliance Tester (PAT).
- 1.3.4. DO ensure that cables are always protected against short circuit and overload.
- 1.3.5. DO regularly inspect power supply leads, plugs and sockets for wear, damage or loose connections.
- 1.3.6. DO check that the voltage marked on the product is the same as the power supply to be used.
- 1.3.7. DO NOT pull or carry the appliance by the cables.
- 1.3.8. DO NOT pull the plug from the socket by the cable.
- 1.3.9. DO NOT use worn or damaged leads, plugs or connections.

#### 1.4. BATTERY CHARGER SAFETY INSTRUCTIONS

- **WARNING!** DO NOT attempt to charge any battery other than that supplied for the gun. Other types of batteries may explode!
- ✓ All mains electrical supply safety features must be followed as described in 1.3. above.
- ✓ Disconnect the charger from the mains supply when not in use.
- x DO NOT charge battery if room temperature is below 41°F (5°C) or above 104°F (40°C)
- x DO NOT expose the charger to damp or wet conditions.
- x DO NOT pull or carry the charger by the power lead.
- x DO NOT operate the charger if it has been dropped, or has received a sharp knock, or is damaged. Take the charger to an authorised agent for repair or obtain a replacement.
- x DO NOT dismantle the charger as this may cause damage and/or personal injury and will invalidate the warranty.
- x DO NOT insert foreign objects or material into the hole reserved for the battery pack.

## 2. INTRODUCTION & SPECIFICATION

Well balanced cordless caulking gun with ergonomic handle. Can dispense up to 15 cartridges on one charge. Accepts standard 310ml cartridges up to 220mm length. Includes extra battery, charger unit and transformer plug. Supplied in blow mould storage/carry-case.

Battery:.....7.2V (0.8Ah)  
Speed: ..... 0-270mm/min  
Charge Time: ..... 3-5hours  
Accessories:.....Extra Battery  
Battery Model No: .....CB7205  
Weight Inc. Battery:.....2.0kg

## 3. OPERATING INSTRUCTIONS

**Note:** When new, the battery pack will have been shipped in a low charge state. It will take longer to charge initially, and several subsequent charges may also take a little longer than when the battery pack reaches its optimum performance. Remove battery pack from case and charge as below:

### 3.1. CHARGING THE BATTERY PACK

3.1.1. Plug the AC adaptor pin into the socket on the charging base and plug the adaptor into the supply wall outlet.

3.1.2. To remove the battery pack from gun, depress the two side release clips and withdraw battery from the gun handle.

**WARNING! Do not touch metal terminals.**

3.1.3. The battery pack and charger have the positive (+) and negative (-) terminals marked. Align the correct terminals and insert the battery into the charger.

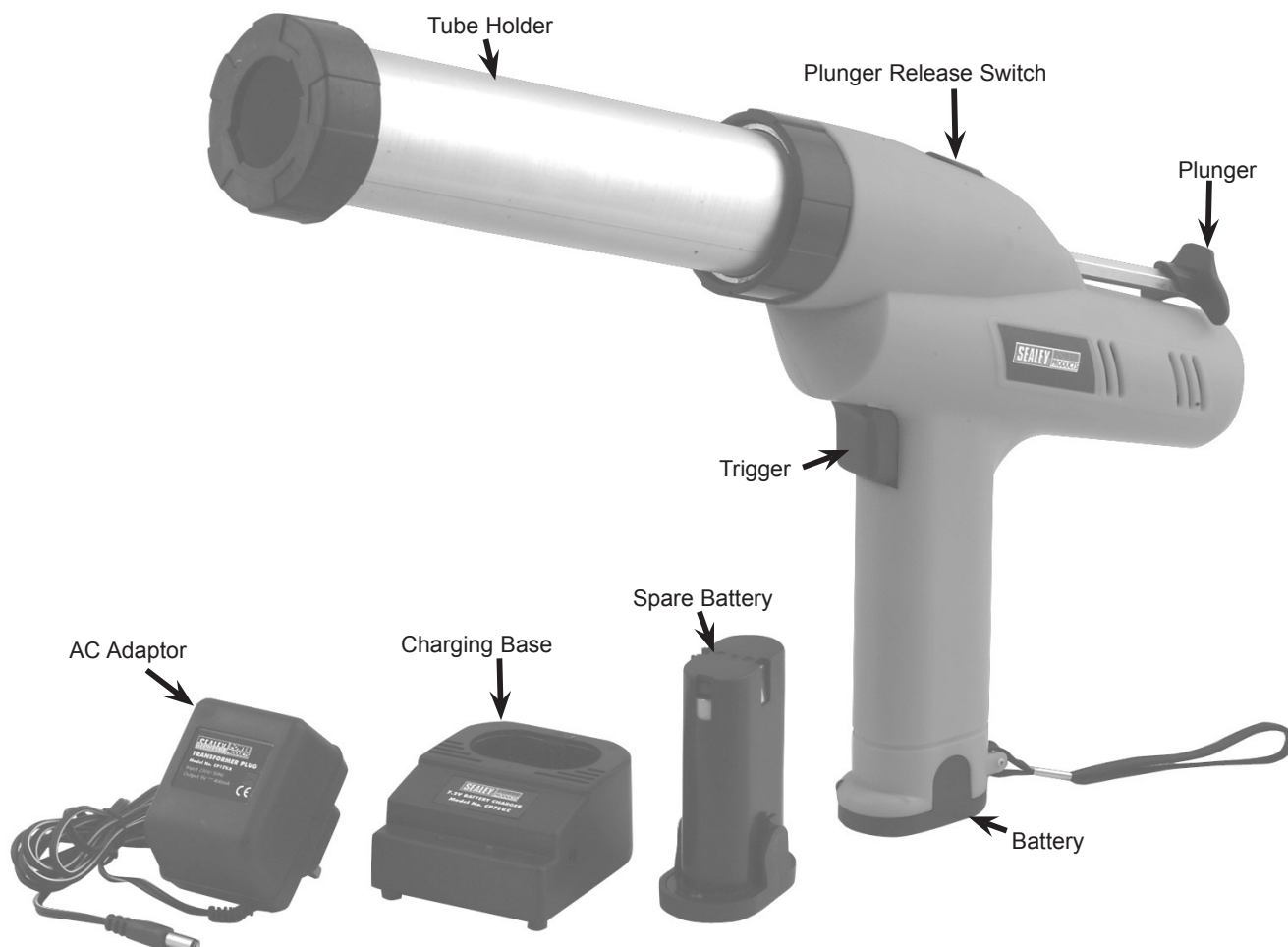
**Note:** The battery pack is so designed that it will only enter the charger unit the correct way. When placed in the charger, a very slight downward pressure will seat the pack firmly into the terminals. The red LED will light when the power supply is turned on to indicate power supply is connected, green light will light to indicate battery is charging.

3.1.4. The charging will take approximately 3-5 hours from a fully discharged state. DO NOT leave on charge for longer than this period.

3.1.5. After removing the battery, disconnect the charger from the mains supply and store in the carry case.

**WARNING! Never leave the battery unattended whilst charging due to the potential fire hazard.**

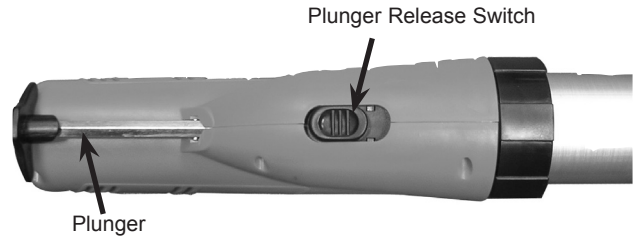
**Note:** If two batteries are to be charged in succession allow the charger to cool between uses.



### 3.2. Operation.

- 3.2.1 To fit a tube of silicone, remove battery from gun handle.
- 3.2.2. Depress the plunger release switch and pull the plunger back as far as it will go.
- 3.2.3. Unscrew the tube holder, turning anti-clockwise.
- 3.2.4. Slide the new silicone tube into the tube holder cylinder.
- 3.2.5. Replace the tube holder by screwing clockwise.
- 3.2.6. Cut the silicone tubes nozzle to the desired width.
- 3.2.7. Replace the battery in the guns handle.
- 3.2.8. To activate the gun simply squeeze the trigger.
- 3.2.9. To stop the flow of silicone release the trigger. The flow will slow once the trigger is released. To completely stop the flow of silicone as your release the trigger, loosen the tube holder slightly by turning anti-clockwise. Alternatively you may press the plunger release switch and retract the plunger.

**Note:** Always remove the battery from the gun before making any adjustments, changing tube or storing etc.



## 4. MAINTENANCE

### 4.1. CLEANING

- 4.1.1 After completing usage, always remove the tube holder and tube.
- 4.1.2. Regularly inspect tube holder cap to ensure it is properly tightened.
- 4.1.3. Keep the tube holder and piston joint clean and in proper working order.
- 4.1.4. Always release the plunger shaft back to the correct position for storage after use.
- 4.1.5. Keep motor vents clear of dust and debris.
- 4.1.6. If the tool is not operating normally, making unusual noises, or appears defective, stop using it immediately and get it repaired by a qualified technician.
- 4.1.7. Clean tool with a damp cloth and light detergent. Do not use solvents as they can damage the plastic parts.



**NOTE:** It is our policy to continually improve products and as such we reserve the right to alter data, specifications and component parts without prior notice.

**IMPORTANT:** No liability is accepted for incorrect use of this product.

**WARRANTY:** Guarantee is 12 months from purchase date, proof of which will be required for any claim.

**INFORMATION:** For a copy of our latest catalogue and promotions call us on 01284 757525 and leave your full name and address, including postcode.



Sole UK Distributor, Sealey Group,  
Kempson Way, Suffolk Business Park,  
Bury St. Edmunds, Suffolk,  
IP32 7AR



01284 757500



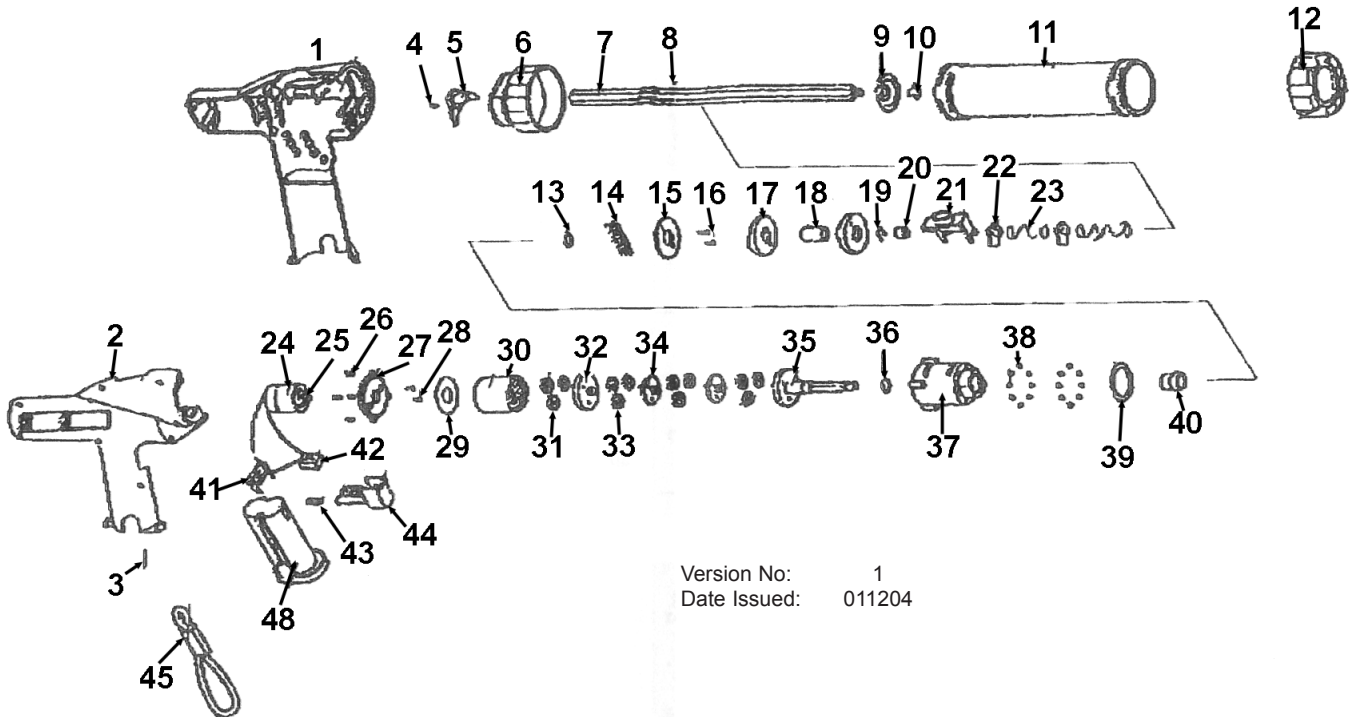
www.sealey.co.uk



01284 703534



sales@sealey.co.uk



Version No: 1  
Date Issued: 011204

Item	Part No.	Description
1	CP72V.01	HOUSING A (RIGHT)
2	CP72V.02	HOUSING B (LEFT)
3	CP72V.03	TAPPING SCREW
4	CP72V.04	TAPPING SCREW
5	CP72V.05	PULLER
6	CP72V.06	TUBE HOLDER CAP
7	CP72V.07	HEX SHAFT
8	CP72V.08	PIN
9	CP72V.09	PISTON JOINT
10	CP72V.10	NUT
11	CP72V.11	ALUMINIUM TUBE HOLDER
12	CP72V.12	TUBE HOLDER COVER
13	CP72V.13	COTTER PIN
14	CP72V.14	SPRING
15	CP72V.15	COVER PLATE
16	CP72V.16	TAPPING SCREW
17	CP72V.17	COVER GEAR
18	CP72V.18	SPACER
19	CP72V.19	COTTER PIN
20	CP72V.20	SHAFT COVER
21	CP72V.21	DRIVING PLATE
22	CP72V.22	STOP DRIVING PLATE
23	CP72V.23	SPRING
24	CP72V.24	MOTOR
25	CP72V.25	MOTOR GEAR
26	CP72V.26	TAPPING SCREW
27	CP72V.27	GEAR HOUSING PLATE
28	CP72V.28	STUD SCREW
29	CP72V.29	GEAR HOUSING PLATE
30	CP72V.30	INTERNAL GEAR
31	CP72V.31	PLANET GEAR
32	CP72V.32	CARRIER GEAR
33	CP72V.33	PLANET GEAR
34	CP72V.34	CARRIER GEAR
35	CP72V.35	MAIN SHAFT
36	CP72V.36	MAIN SHAFT PLATE
37	CP72V.37	GEAR HOUSING
38	CP72V.38	STEEL BALL
39	CP72V.39	STEEL BALL COVER
40	CP72V.40	SHAFT COVER
41	CP72V.41	POWER CONNECTOR
42	CP72V.42	MOVING LOCK
43	CP72V.43	SPRING
44	CP72V.44	TRIGGER SWITCH
45	CP72V.45	BELT
46	CP72V.A	TRANSFORMER PLUG FOR CP72V
48	CP72V.C	CHARGER FOR CP72V
	CB7205	BATTERY FOR CP72V

**NOTE:** It is our policy to continually improve products and as such we reserve the right to alter data, specifications and component parts without prior notice.