

Thank you for purchasing a Sealey product. Manufactured to a high standard this product will, if used according to these instructions and properly maintained, give you years of trouble free performance.



**IMPORTANT: PLEASE READ THESE INSTRUCTIONS CAREFULLY. NOTE THE SAFE OPERATIONAL REQUIREMENTS, WARNINGS, AND CAUTIONS. USE THIS PRODUCT CORRECTLY, AND WITH CARE FOR THE PURPOSE FOR WHICH IT IS INTENDED. FAILURE TO DO SO MAY CAUSE DAMAGE AND/OR PERSONAL INJURY AND WILL INVALIDATE THE WARRANTY.**

## 1. SAFETY INSTRUCTIONS

### 1.1 GENERAL SAFETY.

- ✓ Disconnect the battery from the grinder unit before changing accessories, servicing or performing any maintenance.
- ✓ Maintain the grinder and battery in good condition. Check moving parts alignment on a regular basis.
- ✓ Replace or repair damaged parts. *Use an authorised service agent and recommended parts only. Unauthorised parts may be dangerous and will invalidate the warranty.*
- ✓ Ensure the grinder is switched off before installing the battery.
- ✓ Keep the grinder, battery and charger clean for best and safest performance.
- ✓ Remove ill fitting clothing. Remove ties, watches, rings and other loose jewellery and contain long hair.
- ✓ Evaluate your working area before using the grinder e.g. ceiling, floors and enclosures may contain electrical items or water piping.
- ✓ Ensure battery is correctly inserted into the grinder handle and latched in place before attempting to switch on grinder.
- ✓ Secure loose workpieces with a clamp, vice or other adequate holding device.
- ✓ Avoid unintentional starting.
- ✓ Wear approved safety eye protection (standard spectacles are not adequate).
- ✓ Maintain correct balance and footing. Ensure the floor is not slippery and wear non-skid shoes.
- ✓ Be aware that this grinder does not need to be plugged into the mains power..
- ✓ Keep children and unauthorised persons away from the working area.
- ✗ **DO NOT** use the grinder where there are flammable liquids, solids or gases, such as paint solvents, etc.
- ✗ **DO NOT** allow children to operate the grinder.
- ✗ **DO NOT** operate the grinder if any parts are missing as this may cause failure or possible personal injury.
- ✗ **DO NOT** hold unsecured workpiece in your hand.
- ✗ **DO NOT** carry the grinder with your finger on the power switch. Keep trigger release button in the locked position.
- ✗ **DO NOT** use the grinder for a task it is not designed to perform.
- ✗ **DO NOT** operate the grinder when you are tired or under the influence of alcohol, drugs or intoxicating medication.
- ✗ **DO NOT** get the grinder, battery or charger wet or use in damp or wet locations.
- ✓ Keep grinder, battery and charger in a safe, dry, childproof area where the temperature will not exceed 104°F (40°C).

### 1.2 ELECTRICAL SAFETY.

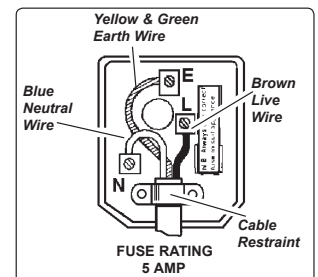
#### **REGARDING DIRECT MAINS POWER USE WITH THE CHARGING BASE AND PLUG ONLY.**

- ☐ **WARNING!** It is the owner's responsibility to read, understand and comply with the following electrical instructions: You must ensure the risk of electric shock is minimised by the installation of appropriate safety devices. An RCCB (Residual Current Circuit Breaker) should be incorporated in the main distribution board. We also recommend that an RCD (Residual Current Device) is used with all electrical products, particularly portable equipment which is plugged into an electrical supply not protected by an RCCB. **You must** also read and understand the following instructions concerning electrical safety.
- **The Electricity At Work Act 1989 requires all portable electrical appliances, if used on business premises, to be tested by a qualified electrician, using a Portable Appliance Tester (PAT), at least once a year.**


- **The Health & Safety at Work Act 1974** makes owners of electrical appliances responsible for the safe condition of the appliance, and the safety of the appliance operator. ***If in any doubt about electrical safety, contact a qualified electrician***

- **Battery Charger Safety Instructions**
- ☐ **WARNING! DO NOT use the charging base to charge any battery other than that required for the tool. Other types of batteries may explode!**
- ✓ Inspect the plug, cable and the charging base for wear and damage to ensure items are safe before connecting to the mains power supply. If worn or damaged **DO NOT** use, immediately replace, or contact a qualified electrician.
- ✓ Check cables are always protected against short circuit and overload.
- ✓ Uncoil the power cable between the plug and the charging base before use.
- ✗ **DO NOT** pull or carry the charging base by the charger power lead, or pull the plug from the mains socket by the power lead.
- ✗ **DO NOT** use any other type of transformer with the charging base.
- ✗ **DO NOT** try to open or dis-assemble the plug or charging base.
- ✗ **DO NOT** use the plug to power any other electrical item.
- ✓ Disconnect the plug from the charging base and the mains power supply when not in use.
- ✗ **DO NOT** expose the charging base to damp or wet conditions (for indoor use only).
- ✗ **DO NOT** pull or carry the charging base by the power lead.
- ✗ **DO NOT** operate the charging base if it has been dropped, or has received a sharp knock, or is damaged. Contact an authorised service agent.
- ✗ **DO NOT** dismantle the charging base as this may cause damage or personal injury and will invalidate your warranty.
- ✗ **DO NOT** insert foreign objects or material into the hole reserved for the battery.
- ✗ **DO NOT** immediately charge a second battery. Consecutive charging will overheat the charging base. Allow the unit to cool for 15 minutes before charging the next battery.
- ✓ Ensure that the insulation on all cables and on the appliance is safe before connecting it to the power supply.
- ✓ Ensure that cables are always protected against short circuit and overload.
- ✗ **DO NOT** use worn or damaged cables, plugs or connectors. Immediately have any faulty item repaired or replaced by a qualified electrician. When a BS1363/A UK 3 pin plug is damaged, cut the cable just above the plug and dispose of the plug safely.

Fit a new plug according to the following instructions (UK only).



- a) Connect the GREEN/YELLOW earth wire to the earth terminal 'E'.
- b) Connect the BROWN live wire to the live terminal 'L'.
- c) Connect the BLUE neutral wire to the neutral terminal 'N'.
- d) After wiring, check that there are no bare wires, that all wires have been correctly connected, that the cable outer insulation extends beyond the cable restraint and that the restraint is tight.

Double insulated products, which are always marked with this symbol , are fitted with live (brown) and neutral (blue) wires only.

**X DO NOT** connect either wire to the earth terminal.

### 1.3 BATTERY SAFETY INSTRUCTIONS.

- WARNING!** Battery contains lithium-ion which is dangerous. Handle with care to avoid damage, fire, corrosion or personal injury.
- ✓ Charge battery prior to its first use. The battery will have been shipped in a low charge state.
- WARNING! To reduce the risk of burns or fire:**
- X DO NOT** Attempt to open, disassemble, modify or service the battery pack.
- X DO NOT** Crush, puncture, short external contacts or dispose of in fire or water.
- X DO NOT** Expose to temperatures above 40°C (104°).
- ✓ Replace only with the battery pack designated for this product.
- ✓ Recycle or dispose of used battery as stipulated by local regulation.
- ✓ Use only the charging base provided to charge the grinder battery.
- X DO NOT** attempt recharging the battery by means of an engine generator or a DC power source.
- WARNING!** Dispose of spent batteries correctly as they contain Lithium-ion. **DANGER! DO NOT** attempt to disassemble the battery. For safety and environmental reasons **DO NOT** discard in domestic waste or by burning. **ONLY** discard or recycle according to local authority regulations.
- WARNING! DO NOT** allow a leaking battery to contact your person. If you come into contact with battery liquid take the following immediate action:
  - a) Skin contact:** Wash immediately with soap and water, then wash flesh in either lemon juice or vinegar.
  - b) Eye contact:** Wash with a strong solution of boric acid, and seek immediate medical attention.

## 2. INTRODUCTION & SPECIFICATIONS

Features heavy-duty alloy bevel gear head with composite body casing and spindle lock for quick disc changes. Easily adjustable disc guard. Supplied with side handle and soft grip body handle for added comfort and control. Powered by lithium-ion battery (sold separately, order Model No. CP50BP), which maintains a high energy density level with a flat discharge curve - performing better and longer than a conventional Ni-CD/Ni-MH battery. No memory effect allows the battery to recover from a deep discharge with no tendency to reduce overall capacity. Requires 1 hour mains charger (sold separately, order Model No. CP50MC).

Battery: ..... 18V - 2.6Ah  
 Disc Size: ..... ø115mm  
 Weight: ..... 1.44kg  
 Battery Model No (not included): ..... CP50BP  
 Mains Charger Model No (not included): ..... CP50MC  
 No-load speed: ..... 7000 rpm  
 Noise Power: ..... 80.8 dBA  
 Noise Pressure: ..... 94.8 dBA  
 Vibration: ..... 2.31 m/s<sup>2</sup>

## 3. CHARGING

### CHARGING THE BATTERY (NOT INCLUDED, ORDER MODEL NO: CP50BP)

**Note:** When new, the battery will have been shipped in a low charge state. Fully charge the battery before using your tool

- 3.1 To remove the battery from the grinder, depress the two side clips on the battery. **DO NOT** touch the metal battery terminals.
- 3.2 Take the base charger (Not included, order model No: CP40MB) and plug it into the mains.
- 3.3 The battery is designed to fit into the charger one way only. This is to ensure that the positive (+) and negative (-) polarities correspond. Insert the battery and press lightly to seat the battery firmly into the charging base, as in fig.1.
- WARNING! DO NOT** try to force battery into the base the wrong way around.
- 3.4 When the charger is plugged into the mains the Green led will illuminate.
- 3.5 When the battery is inserted into the charger the red LED (fig.1) will begin to flash, this indicates the battery is charging.

- 3.6 When the red LED (fig.1) stops flashing and is solid the battery is fully charged.
- 3.7 If when inserting the battery the red LED (fig.1) does not illuminate the battery is already fully charged.
- 3.8 Switch off and remove the plug from the mains. Remove the battery from the charger. Insert the battery back into the impact grinder (fig.2) until it snaps into place. The grinder is now ready for use.
- 3.9 To check charge state of battery depress button on top of the battery pack, the lights will illuminate to indicate how much charge is left in the battery.



fig.1

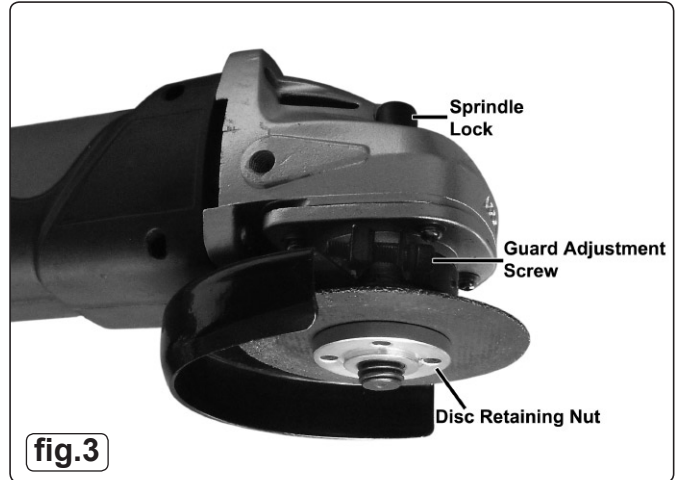
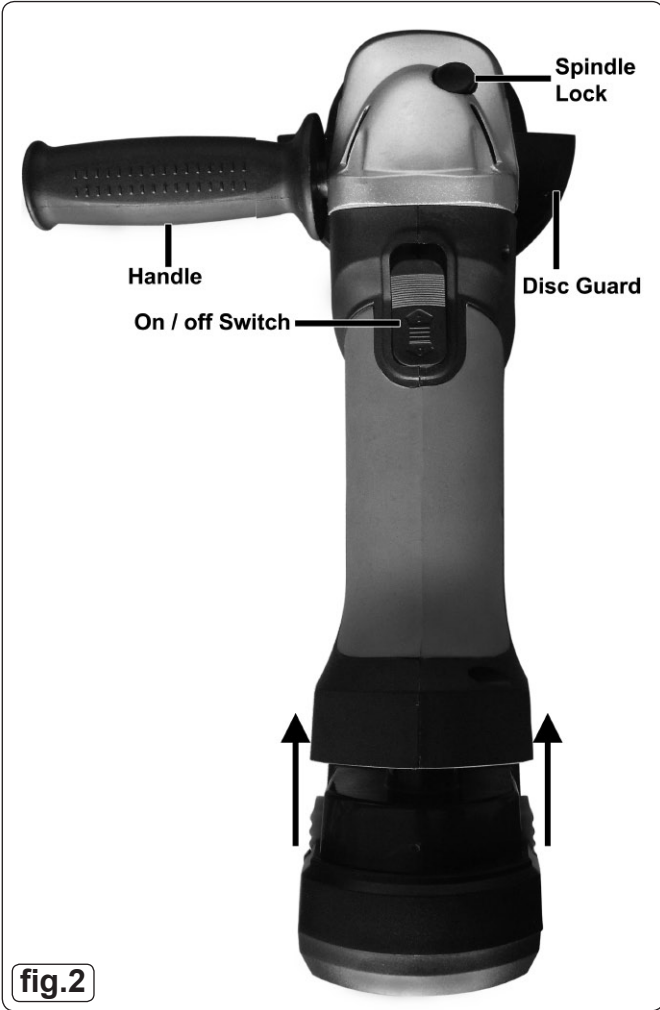
## 4. OPERATION

### GRINDER INSTRUCTIONS. (Ensure you have read, understood and comply with all the safety instructions)




- WARNING!** Always wear approved safety glasses and gloves when grinding.
- 4.1 **Guard Installation / Adjustment**
  - 4.1.1 The guard may be orientated in any position to suit the grinding task required and should be positioned to allow maximum working performance whilst providing maximum personal protection for the operator.
  - 4.1.2 Loosen the guard by loosening the guard adjustment screw (fig.3). Slide the guard over the grinder housing.
  - 4.1.3 Rotate the guard around the head of the grinder into the desired position for the task.
  - 4.1.4 Tighten the guard adjustment screw securing the guard in place.
- 4.2 Screw on handle to either side of the grinder housing for more control and stability.
- 4.3 **Attaching a Grinding/Cutting Disc**
  - 4.3.1 Lay the grinder on it's back and place the clamping flange onto the centre spindle with the raised ring facing upwards. Align the grooves in the flange to the cutouts in the spindle and push into place.
  - 4.3.2 Place the grinding (or cutting) disc over the spindle and onto the clamping flange.
  - 4.3.3 When using a grinding disc with a depressed centre portion screw the disc retaining nut onto the spindle with the raised ring facing downwards.
  - 4.3.4 When using flat cutting discs screw the disc retaining nut onto the spindle with the raised ring facing upwards as in fig.3.
  - 4.3.5 Stop the spindle from turning by pushing in and holding the spindle lock button (fig.2).
  - 4.3.6 Lock the grinding disc into place by tightening the disc retaining nut with the supplied wrench while holding the spindle lock button.


**4.4 General Grinding/Cutting**





- 4.4.1 To start the grinder push the 'On/Off' switch forward. Push the 'On' button down to lock into the 'On' position.
- 4.4.2 To stop the grinder release the 'On/Off' button or press the back of the button to release from the locked on position.
- x **DO NOT** switch the grinder on whilst the disc is in contact with the work piece. Bring the disc to the work piece when running.
- 4.4.3 Allow the disc to reach full speed before starting to grind/cut.
- 4.4.4 Grind flat surfaces at an angle of between 30° for rough areas and 15° for finishing.
- 4.5 When finished remove the battery and clean the grinder with a dampened cloth.



**Risk of Hand Arm Vibration Injury**  
 The CP5004 Cordless Angle Grinder, when operated in accordance with these instructions and tested in accordance with EN 28662-2: 1994 results in the following vibration emission declared in accordance with BS EN12096: 1996.  
 Measured vibration emission value: . . . . . 2.31 m/s<sup>2</sup>  
 Uncertainty: . . . . . 0.92 m/s<sup>2</sup> **These values are suitable for comparison with emission levels of other tools that have been subject to the same test.**  
**This tool may cause hand-arm vibration syndrome if its use is inadequately managed.**  
**Recommended Measures to reduce risk of hand-arm vibration syndrome:**  
 This item represents a low Hand Arm Vibration risk to users. The calculated maximum usage period exceeds 8 hours. We recommend appropriate safety equipment is utilised and regular breaks for the operator are employed to reduce any residual risk of fatigue or repetitive strain injury.

 <p>Recycle unwanted materials instead of disposing of them as waste. All tools, accessories and packaging should be sorted, taken to a recycle centre and disposed of in a manner which is compatible with the environment.</p>	<p><b>Environmental Protection</b></p>  <p>When the product is no longer required, it must be disposed of in an environmentally protective way.</p>	 <p><b>Battery Removal:</b> Unclip the battery from the tool and dispose of according to local authority guidelines. Rechargeable battery contains Lithium-ion (Li-ion). It is recyclable. Take to your local recycling centre to be disposed of properly.</p>
---	--	---

**NOTE:** It is our policy to continually improve products and as such we reserve the right to alter data, specifications and component parts without prior notice.  
**IMPORTANT:** No liability is accepted for incorrect use of this product.  
**WARRANTY:** Guarantee is 12 months from purchase date, proof of which will be required for any claim.  
**INFORMATION:** For a copy of our latest catalogue and promotions call us on 01284 757525 and leave your full name and address, including postcode. 

SEALEY	POWER TOOLS	Sole UK Distributor, Sealey Group, Kempson Way, Suffolk Business Park, Bury St. Edmunds, Suffolk, IP32 7AR	 01284 757500  01284 703534	 <a href="http://www.sealey.co.uk">www.sealey.co.uk</a>  <a href="mailto:sales@sealey.co.uk">sales@sealey.co.uk</a>
--------	-------------	--	--	--