



18V 3AH Ø115MM CORDLESS ANGLE GRINDER

MODEL NO'S: **CP401LI CP401LIHV**

Thank you for purchasing a Sealey product. Manufactured to a high standard, this product will, if used according to these instructions, and properly maintained, give you years of trouble free performance.

IMPORTANT: PLEASE READ THESE INSTRUCTIONS CAREFULLY. NOTE THE SAFE OPERATIONAL REQUIREMENTS, WARNINGS & CAUTIONS. USE THE PRODUCT CORRECTLY AND WITH CARE FOR THE PURPOSE FOR WHICH IT IS INTENDED. FAILURE TO DO SO MAY CAUSE DAMAGE AND/OR PERSONAL INJURY AND WILL INVALIDATE THE WARRANTY. KEEP THESE INSTRUCTIONS SAFE FOR FUTURE USE.



Refer to instructions



Wear protective gloves



Wear eye protection



Wear ear protection



Wear a mask

1. SAFETY

- ❑ **WARNING!** Read all safety warnings, instructions, illustrations and specifications provided with this power tool. Failure to follow all instructions listed below may result in electric shock, fire and/or serious injury.
- ✓ Save all warning and instructions for future reference.
- 1.1. WORK AREA SAFETY**
- ✓ Keep work area clean and well lit. Cluttered or dark areas invite accidents.
- ✗ **DO NOT** operate power tools in explosive atmospheres, such as in the presence of flammable liquids, gases or dust. Power tools create sparks which may ignite the dust or fumes.
- ✓ Keep children and bystanders away whilst operating a power tool. Distractions can cause you to lose control.
- ✓ Keep bystanders a safe distance away from work area. Anyone entering the work area must wear personal protective equipment. Fragments of workpiece or of a broken accessory may fly away and cause injury beyond immediate area of operation.
- ✗ **DO NOT** operate the power tool near flammable materials. Sparks could ignite these materials.
- 1.2. ELECTRICAL SAFETY**
- ✓ Power tool plugs must match the outlet. Never modify the plug in any way. **DO NOT** use any adaptor plugs with earthed (grounded) power tools. Unmodified plugs and matching outlets will reduce risk of electric shock.
- ✓ Avoid body contact with earthed or grounded surfaces, such as pipes, radiators, ranges and refrigerators. There is an increased risk of electric shock if your body is earthed or grounded.
- ✗ **DO NOT** expose power tools to rain or wet conditions. Water entering a power tool will increase the risk of electric shock.
- ✗ **DO NOT** abuse the cord. Never use the cord for carrying, pulling, or unplugging the power tool. Keep cord away from the heat, oil, sharp edges or moving parts. Damaged or entangled cords increase the risk of electric shock. (If applicable).
- ✓ When operating a power tool outdoors, use an extension cord suitable for outdoor use. Use of a cord suitable for outdoor use reduces the risk of electric shock.
- ✓ If operating a power tool in a damp location is unavoidable, use a residual current device (RCD) protected supply. Use of an RCD reduces the risk of electric shock.
- ✓ Hold the power tool by insulated gripping surfaces only, when performing an operation where the cutting accessory may contact hidden wiring. Cutting accessory contacting a "live" wire may make exposed metal parts of the power tool "live" and could give the operator an electric shock.
- 1.3. PERSONAL SAFETY**
- ✓ Stay alert, watch what you are doing and use common sense when operating a power tool.
- ✗ **DO NOT** use a power tool whilst you are tired or under the influence of drugs, alcohol, or medication. A moment inattention whilst operating power tools may result in serious injury.
- ✓ Use personal protective equipment. Always wear eye protection. Protective equipment such as dust mask, non-skid safety shoes, hard hat or hearing protection used for appropriate conditions will reduce personal injuries.
- ✓ Prevent unintentional starting. Ensure the switch is in the off-position before connecting to battery pack, picking up or carrying the tool. Carrying power tools with your fingers on the switch or energising power tools that have the switch on invites accidents.
- ✓ Remove any adjusting key or wrench before turning the power tool on. A wrench or a key left attached to a rotating part of the power tool may result in personal injury.
- ✗ **DO NOT** overreach. Keep proper footing and balance at all times. This enables better control of the power tool in unexpected situations.
- ✗ **DO NOT** let familiarity gained from frequent use of tools allow you to become complacent and ignore tool safety principles. A careless action can cause severe injury within a fraction of a second.
- ✓ Wear personal protective equipment. Depending on application, use face shield, safety goggles or safety glasses. As appropriate, wear dust mask, hearing protectors, gloves and workshop apron capable of stopping small abrasive or workpiece fragments. The eye protection must be capable of stopping flying debris generated by various applications. The dust mask or respirator must be capable of filtering particles generated by the particular application. Prolonged exposure to intense noise may cause hearing loss.
- ✗ **DO NOT** run the power tool while carrying it at your side. Accidental contact with the spinning accessory could snag your clothing, pulling the accessory into your body.
- ✓ Dress properly. **DO NOT** wear loose clothing or jewellery. Keep your hair, clothing and gloves away from moving parts. Loose clothes, jewellery or long hair can be caught in moving parts.
- ✓ **NEVER** lay the power tool down until the accessory has come to a complete stop. The spinning accessory may grab the surface and pull the power tool out of your control.
- 1.4. POWER TOOL USE & CARE**
- ✗ **DO NOT** force the power tool. Use the correct power tool for your application. The correct Power tool will do the job better and safer at the rate for which it was designed.

- ✘ **DO NOT** use the power tool if the switch does not turn it on and off. Any power tool that cannot be controlled with the switch is dangerous and must be repaired.
 - ✓ Disconnect the battery pack from the power tool before making any adjustments, changing accessories, or storing power tools. Such preventive safety measures reduce the risk of starting the power tool accidentally.
 - ✓ Store idle power tools out of the reach of children and **DO NOT** allow persons unfamiliar with these power tools or these instructions to operate the power tool. Power tools are dangerous in the hands of untrained users.
 - ✓ Maintain power tools. Check for misalignment or binding of the moving parts, breakage of parts and any other condition that may affect the power tool's operation. If damaged, have the power tool repaired before use. Many accidents are caused by poorly maintained power tools.
 - ✓ Keep cutting tools sharp and clean. Properly maintained cutting tools with sharp cutting edges are less likely to bind and are easier to control.
 - ✓ Use the power tool, accessories, and tool bits etc, in accordance with these instructions, taking into account the working conditions and the work to be performed. Use of the power tool for operations different from those intended could result in a hazardous situation.
 - ✓ Keep handles and grasping surfaces dry, clean and free from oil and grease. Slippery handles and grasping surfaces do not allow for safe handling and control of the tool in unexpected situations.
 - ✓ This power tool is intended to function as a grinder. Read all safety warnings, instructions, illustrations and specifications provided with this power tool. Failure to follow all instructions listed below may result in electric shock, fire and/or serious injury.
 - ✓ Operations such as sanding, wire brushing or polishing are not recommended to be performed with this power tool. Operations for which the power tool was not designed may create a hazard and cause personal injury.
 - ✘ **DO NOT** convert this power tool to operate in a way which is not specifically designed and specified by the tool manufacturer. Such a conversion may result in a loss of control and cause serious personal injury.
 - ✘ **DO NOT** use accessories which are not specifically designed and recommended by the tool manufacturer. Just because the accessory can be attached to your power tool, it does not assure safe operation.
 - ✓ The rated speed of the accessory must be at least equal to the maximum speed marked on the power tool. Accessories running faster than their rated speed can break and fly apart.
 - ✓ The outside diameter and the thickness of your accessory must be within the capacity rating of your power tool. Incorrectly sized accessories cannot be adequately guarded or controlled.
 - ✓ The rated speed of the accessory must be at least equal to the maximum speed marked on the power tool. Accessories running faster than their rated speed can break and fly apart.
 - ✓ The dimensions of the accessory mounting must fit the dimensions of the mounting hardware of the power tool. Accessories that do not match the mounting hardware of the power tool will run out of balance, vibrate excessively, and may cause loss of control.
 - ✓ Threaded mounting of accessories must match the grinder spindle thread. For accessories mounted by flanges, the arbour hole of the accessory must fit the locating diameter of the flange. Accessories that **DO NOT** match the mounting hardware of the power tool will run out of balance, vibrate excessively, and may cause loss of control.
 - ✘ **DO NOT** use a damaged accessory. Before each use inspect the accessory such as abrasive wheels for chips and cracks, backing pad for cracks, tear or excess wear, wire brush for loose or cracked wires. If power tool or accessory is dropped, inspect for damage or install an undamaged accessory.
NOTE: After inspecting and installing an accessory, position yourself and bystanders away from the plane of the rotating accessory and run the power tool at maximum no-load speed for one minute. Damaged accessories will normally break apart during this test time.
 - ✘ **DO NOT** operate the power tool near flammable materials. Sparks could ignite these materials.
 - ✘ **DO NOT** use accessories that require liquid coolants. Using water or other liquid coolants may result in electrocution or shock.
 - ✓ Wear personal protective equipment. Depending on application, use face shield, safety goggles or safety glasses. As appropriate, wear dust mask, hearing protectors, gloves and workshop apron capable of stopping small abrasive or workpiece fragments. The eye protection must be capable of stopping flying debris generated by various operations. The dust mask or respirator must be capable of filtering particles generated by your operation. Prolonged exposure to high intensity noise may cause hearing loss.
- 1.5. SERVICE**
- ✓ Have your power tool serviced by a qualified repair person using only identical replacement parts. This will ensure that the safety of the power tool is maintained.
 - ✘ **DO NOT** service damaged battery packs. Service of battery packs should only be performed by the manufacturer or authorised service providers.
 - ✓ Regularly clean the power tool's air vents. The motor's fan will draw the dust inside the housing and excessive accumulation of powdered metal may cause electrical hazards.
- 1.6. BATTERY TOOL USE & CARE**
- ✓ Recharge only with the charger specified by the manufacturer. A charger that is suitable for one type of battery pack may create a risk of fire when used with another battery pack.
 - ✓ Use power tools only with specifically designated battery packs. Use of any other battery packs may create a risk of injury and fire. When battery pack is not in use, keep it away from other metal objects, like paper clips, coins, keys, nails, screws, or other small metal objects, that can make a connection from one terminal to another. Shorting the battery terminals together may cause burns or a fire.
 - ✓ Under abusive conditions, liquid may be ejected from the battery; avoid contact. If contact accidentally occurs, flush with water. If liquid contacts eyes, additionally seek medical help. Liquid ejected from the battery may cause irritation or burns.
 - ✘ **DO NOT** use a battery pack or tool that is damaged or modified. Damaged or modified batteries may exhibit unpredictable behaviour resulting in fire, explosion or risk of injury.
 - ✘ **DO NOT** expose a battery pack or tool to fire or excessive temperature. Exposure to fire or temperature above 130°C may cause explosion.
 - ✓ Follow all charging instructions and do not charge the battery pack or tool outside the temperature range specified in the instructions. Charging improperly or at temperatures outside the specified range may damage the battery and increase the risk of fire.
 - ✓ Longer life and better performance can be obtained if the battery pack is charged when the air temperature is between 18°C and 24°C.
 - ✘ **DO NOT** charge the battery pack in air temperatures below 0°C or above 40°C. This is important as it can prevent serious damage to the battery pack.
- 1.7. KICKBACK**
- ✓ Maintain a firm grip on the power tool and position your body and arm to allow you to resist kickback forces. Always use auxiliary handle, if provided, for maximum control over kickback or torque reaction during start-up. The operator can control torque reactions or kickback forces if proper precautions are taken.
 - ✘ **NEVER** place your hand near the rotating accessory. Accessory may kickback over your hand.
 - ✘ **DO NOT** position your body in the area where power tool will move if kickback occurs.
Kickback will propel the tool in direction opposite to the wheel's movement at the point of snagging.

- ✓ Use special care when working corners, sharp edges etc. Avoid bouncing and snagging the accessory. Corners, sharp edges or bouncing have a tendency to snag the rotating accessory and cause loss of control or kickback.
 - ✗ **DO NOT** attach a saw chain woodcarving blade or toothed saw blade. Such blades create frequent kickback and loss of control.
- 1.8. GRINDING AND ABRASIVE CUTTING-OFF OPERATIONS**
- ✓ Use only wheel types that are recommended for your power tool and the specific guard designed for the selected wheel. Wheels for which the power tool was not designed cannot be adequately guarded and are unsafe.
 - ✓ The grinding surface of centre depressed wheels must be mounted below the plane of the guard lip. An improperly mounted wheel that projects through the plane of the guard lip cannot be adequately protected.
 - ✓ The guard must be securely attached to the power tool and positioned for maximum safety, so the least amount of wheel is exposed towards the operator. The guard helps to protect the operator from broken wheel fragments, accidental contact with wheel and sparks that could ignite clothing.
 - ✓ Wheels must be used only for recommended applications. For example: **DO NOT** grind with the side of a cut-off wheel. Abrasive cut-off wheels are intended for peripheral grinding, side forces applied to these wheels may cause them to shatter.
 - ✓ Always use undamaged wheel flanges that are of correct size and shape for your selected wheel. Proper wheel flanges support the wheel thus reducing the possibility of wheel breakage. Flanges for cut-off wheels may be different from grinding wheel flanges.
 - ✗ **DO NOT** use worn down wheels from larger power tools. Wheel intended for larger power tool is not suitable for the higher speed of a smaller tool and may burst.
- 1.9. ABRASIVE CUTTING-OFF OPERATIONS**
- ✗ **DO NOT** "jam" the cut-off wheel or apply excessive pressure. **DO NOT** attempt to make an excessive depth of cut. Over stressing the wheel increases the loading and susceptibility to twisting or binding of the wheel in the cut and the possibility of kickback or wheel breakage.
 - ✗ **DO NOT** position your body in line with and behind the rotating wheel. When the wheel, at the point of operation, is moving away from your body, the possible kickback may propel the spinning wheel and the power tool directly at you.
 - ✓ When wheel is binding or when interrupting a cut for any reason, switch off the power tool and hold the power tool motionless until the wheel comes to a complete stop. Never attempt to remove the cut-off wheel from the cut while the wheel is in motion otherwise kickback may occur. Investigate and take corrective action to eliminate the cause of wheel binding.
 - ✗ **DO NOT** restart the cutting operation in the workpiece. Let the wheel reach full speed and carefully re-enter the cut. The wheel may bind, walk up or kickback if the power tool is restarted in the workpiece.
 - ✓ Support panels or any oversized workpiece to minimize the risk of wheel pinching and kickback. Large workpieces tend to sag under their own weight. Supports must be placed under the workpiece near the line of cut and near the edge of the workpiece on both sides of the wheel.
 - ✓ Use extra caution when making a "pocket cut" into existing walls or other blind areas. The protruding wheel may cut gas or water pipes, electrical wiring or objects that can cause kickback.
- 1.10. EMISSIONS**
- ✓ Recommendation for the operator to wear hearing protection.
 - **WARNING!** Grinding thin sheets of metal or other easily vibrating structures with a large surface can result in a total noise emission much higher than the declared noise emission value (Up to 15dB).
- 1.11. NOISE & VIBRATION**
- ✓ The declared vibration total value(s) and the declared noise emission value(s) have been measured in accordance with a standard test method and may be used for comparing one tool with another.
 - ✓ The declared vibration total values and the declared noise emission values may also be used in a preliminary assessment of exposure.
 - ✓ The vibration and noise emissions during actual use of the power tool can differ from the declared values depending on the ways in which the tool is used, especially what kind of workpiece is processed.
 - ✓ The need to identify safety measures to protect the operator are to be based on an estimation of exposure in the actual condition of use.

2. INTRODUCTION

Ø115mm Cordless angle grinder supplied with 18V 3Ah Lithium-ion battery and a 2.4A mains charger in a storage case. Double injection body with rubberised grips reduce vibration. Two stage paddle switch allow for a natural holding position when in operation whilst maintaining safety. Quick and easy disc changes using spindle lock button. Cast aluminium gear head with three mounting positions for secondary handle. Battery interchangeable with our CP400LI & CP400LIHV impact wrenches.

3. SPECIFICATION

MODEL NO:	CP401LI	CP401LIHV	MODEL NO:	CP401LI	CP401LIHV
Battery CP400BP:	18V 3Ah Lithium-ion	18V 3Ah Lithium-ion	Noise Power/Pressure:	96dB 88dB	96dB 88dB
Disc Size:	Ø115mm	Ø115mm	No-Load Speed:	11,000rpm	11,000rpm
Fuse Rating:	5A	5A	Spindle Size:	M14	M14
Motor Power:	600W	600W	Vibration/Uncertainty:	8.13 m/s ² 1.5 m/s ²	8.13 m/s ² 1.5 m/s ²
Nett Weight:	2.28kg	2.28kg	Mains Charger	CP400LI.C	CP400LI.C
No-Load Speed:	11,000rpm	11,000rpm	Li-Ion 21.4V DC 2.4A 230V 50Hz		
Plug Type:	3-Pin	3-Pin	Colour:	Red	Green
Power Supply Cable Length:	1.9m	1.9m			

4. ASSEMBLY

4.1. ASSEMBLY AND ADJUSTING

- **WARNING!** Before undertaking any work on the machine itself, remove the battery pack. Always disconnect your angle grinder from the power source when replacing grinding or cut-off discs, adjusting the guard, cleaning the tool or when the tool is not in use. Disconnecting the angle grinder will prevent accidental starting that could cause serious personal injury.

4.2. INSTALLING THE AUXILIARY HANDLE

Unplug the angle grinder from the power source. Install the auxiliary handle (1) by screwing it clockwise into the left side (2) of the gear housing (3) (Fig. 1).

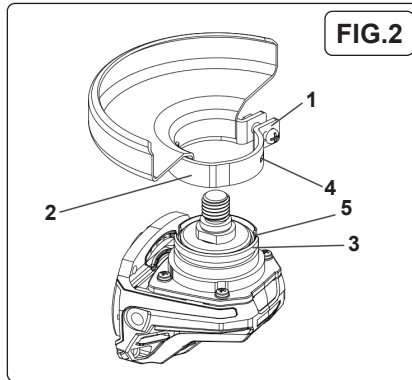
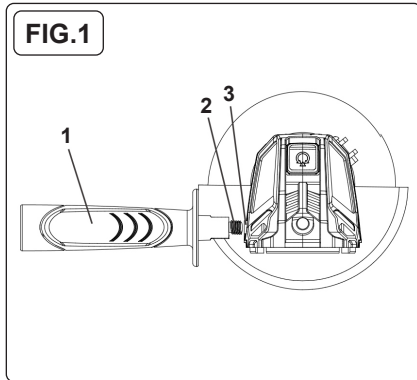
NOTE: The handle can be installed in two different positions; left side or right side or top (Fig. 3, 4 and 5).

- ❑ **WARNING!** The auxiliary handle must always be used to prevent loss of control and possible injury. Tighten the auxiliary handle securely. **NOTE:** Hand tighten the auxiliary handle. **DO NOT** over tighten.

4.3. INSTALLING THE GUARD

- ❑ **WARNING!** The guard must be installed before installing a grinding disc or using the angle grinder. Failure to do so could result in serious personal injury.

- 4.3.1. Unscrew (1) outward to allow the guard clamp to expand for installation. Slide the guard clamp (2) over the spindle housing (3) until the blade guard locating slots (4) line up with grooves (5) in the spindle housing (Fig. 2).

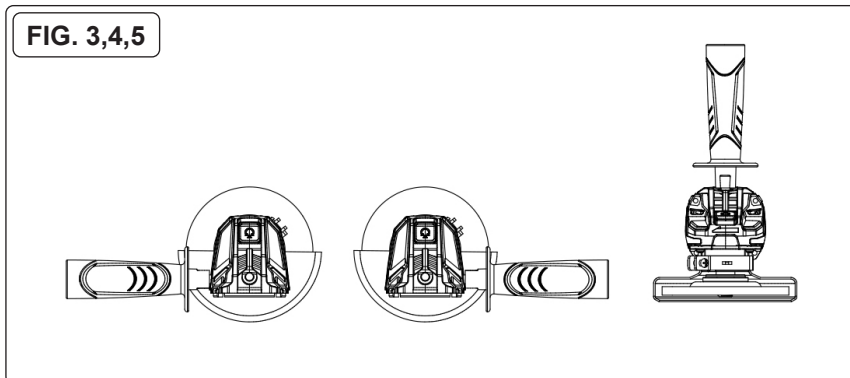


- 4.3.2. When using a dual purpose (Combined grinding and cutting-off abrasive) flange mounted wheels, instruction to only use either Type A (cut-off) or Type C (Combination) wheel guard.

- ✓ When using a Type A (Cut-off) wheel guard for facial grinding, the wheel guard may interfere with the workpiece causing poor control.
- ✓ When using a Type B (Grinding) wheel guard for cutting-off operations with bonded abrasive wheels, there is an increased risk of exposure to emitted sparks and particles, as well as exposure to wheel fragments in the event of wheel burst.
- ✓ When using a Type A (Cut-off), Type B (Grinding) or Type C (Combination) wheel guard for cutting-off and facial operations in concrete or masonry, there is an increased risk of exposure to dust and loss of control resulting in kickback.
- ✓ When using a Type A (Cut-off), Type B (Grinding) or Type C (Combination) wheel guard with a wheel-type wire brush with a thickness greater than the maximum thickness, as specified.

- 4.3.3. Press the guard clamp fully onto the spindle housing. **NOTE:** Rotate the guard so it is positioned correctly depending upon the location of the side handle in Fig. 3, 4 and 5. Push the guard clamp lever toward the guard clamp until the guard clamp firmly locks the guard onto the spindle housing.

4.4. POSITIONING THE GUARD

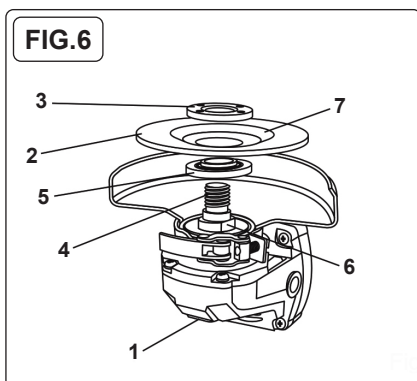


- ❑ **WARNING!** The guard must be positioned correctly to protect the operator. Guard placement depends upon which side of the tool the auxiliary handle is used, to give the greatest protection for the user. Rotate the guard to the correct position as noted in fig. 3 or 4 and 5 above.

4.5. CHANGING A GRINDING DISC

- ❑ **WARNING!** Use the correct size grinding disc. Never use a grinding disc thinner than 5/32" (3.9 mm).
- ❑ **WARNING!** Never use a grinding disc with a rated speed of less than (11,000 RPM). A grinding disc with a rated speed of less than 11,000 RPM can break and fly apart.

- 4.5.1. Lock the disc guard onto the spindle housing. Depress the spindle lock button (1) and rotate the grinding disc (2) until the spindle locks (Fig. 6).



- 4.5.2. Grasp the grinding disc and rotate the grinding disc in a counterclockwise direction. Once the grinding disc and outer disc flange (3) are loose, continue to turn the outer disc flange counterclockwise by hand until it is removed from the spindle (4). Remove the grinding disc from the spindle. **NOTE:** If the outer flange cannot be loosened by hand, use the wrench provided. **DO NOT** remove the inner disc flange (5).
- 4.5.3. Make sure the flats on the inner disc flange are engaged with the flats on the spindle (6). Place the grinding disc over the spindle with the concave side of the disc (7) facing outward.
- 4.5.4. Screw the outer disc flange onto the spindle with the flat side of nut facing away from the grinding disc. Tighten to finger tight only. **NOTE:** Make sure the raised small diameter portion of both the inner and outer disc flanges are fitted into the hole in the grinding disc.
- 4.5.5. Depress the spindle lock button and rotate the grinding disc clockwise until the spindle locks.
- 4.5.6. Grasp the grinding disc and turn it clockwise to securely tighten the grinding disc and outer flange onto the spindle. **NOTE:** You may also tighten the grinding disc and outer flange onto the spindle using the wrench provided.
- WARNING!** Never attach a wood cutting or carving blade of any type to this angle grinder. It is designed for grinding metal only. Use for any other purpose is not recommended and creates a hazard which will result in serious injury.
- WARNING!** Never cover the air vents. They must always be open for proper motor cooling.

5. OPERATION

5.1. BEFORE OPERATION

5.1.1. CHARGING THE BATTERY

- ✘ **DO NOT** use any charger other than that specifically provided for use with the equipment.
- ✓ If the battery pack is very hot you must remove your battery pack from the charger and allow time for the battery to cool down before recharging.

5.2. REMOVING OR INSTALLING THE BATTERY PACK

- WARNING!** Before inserting the battery pack, make sure that the on/off switch is in OFF position. Depress the battery pack release button to release and slide the battery pack out from your tool. After recharge, slide it back into your tool. A simple push and slight pressure will be sufficient.
- ✓ The battery pack is detachable. For replacement use CP400BP 18V 3Ah Lithium-ion battery.

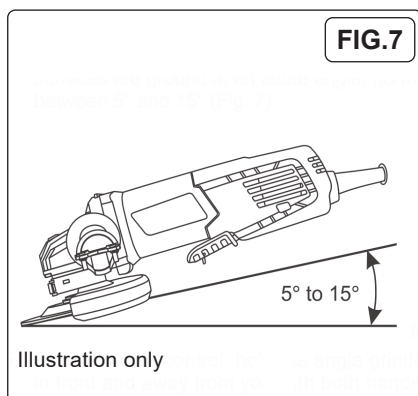
5.3. ON/OFF SWITCH AND LOCK-ON BUTTON

- 5.3.1. To turn the switch ON, pull the lock-off toggle back and then squeeze the switch lever. To turn the switch OFF, release the switch lever.
- 5.3.2. To activate the lock-on switch while the angle grinder is running, press the lock-on button. While holding the lock-on button inward, release the ON/OFF switch. The angle grinder will continue to run.
- 5.3.3. To turn the angle grinder OFF, squeeze and release the ON/OFF switch.

- WARNING!** When turning the angle grinder OFF, always wait until the grinding disc comes to a complete stop before setting the tool down.

5.4. GRINDING

- WARNING!** Use only wheel types that are specified for your power tool and the specific guard designed for the selected wheel. Wheels for which the power tool was not designed cannot be adequately guarded and are unsafe.
- WARNING!** The grinding surface of centre depressed wheels must be mounted below the plane of the guard lip. An improperly mounted wheel that projects through the plane of the guard lip cannot be adequately protected. The guard must be securely attached to the power tool and positioned for maximum safety, so the least amount of wheel is exposed towards the operator. The guard helps to protect the operator from broken wheel fragments, accidental contact with wheel and sparks that could ignite clothing.
- WARNING!** Wheels must be used only for specified applications. For example: **DO NOT** grind with the side of cut-off wheel. Abrasive cut-off wheels are intended for peripheral grinding, side forces applied to these wheels may cause them to shatter.
- WARNING!** Always use undamaged wheel flanges that are of correct size and shape for your selected wheel. Proper wheel flanges support the wheel thus reducing the possibility of wheel breakage. Flanges for cut-off wheels may be different from grinding wheel flanges.
- ✘ **DO NOT** use worn down wheels from larger power tools. A wheel intended for larger power tool is not suitable for the higher speed of a smaller tool and may burst.
- WARNING!** When using dual purpose wheels always use the correct guard for the application being performed. Failure to use the correct guard may not provide the desired level of guarding, which could lead to serious injury.
- 5.5. Always select and use grinding discs that are recommended for the material to be ground. Make sure that the maximum operating speed of the grinding disc selected is not less than 11,000 RPM.
- 5.6. Secure all work before beginning the grinding operation.
- 5.7. Secure small workpieces in a vice or clamp to a work bench.
- WARNING!** Never use your angle grinder with the guard removed. It has been designed for use only with the guard installed. Attempting to use the angle grinder with the guard removed will result in loose particles being thrown against the operator resulting in serious personal injury.



- WARNING!** Never use your angle grinder without eye protection. Following this rule will reduce the risk of serious personal injury.
- 5.7.1. The efficient operation of the angle grinder begins by controlling the pressure and surface contact between the grinding disc and the workpiece. Flat surfaces are ground at an acute angle, normally between 5° and 15° (Fig.7).

5.7.2. For maximum control, hold the angle grinder in front and away from you with both hands, keeping the grinding disc clear of the workpiece. Start your angle grinder and let the motor and grinding disc build up to full speed. Gradually lower the angle grinder until the grinding disc contacts the workpiece.

NOTE: For best results keep the angle grinder tilted at an angle of between 5° and 15° degrees and continuously moving at a steady, consistent pace. Move the angle grinder back and forth or up and down over the work area.

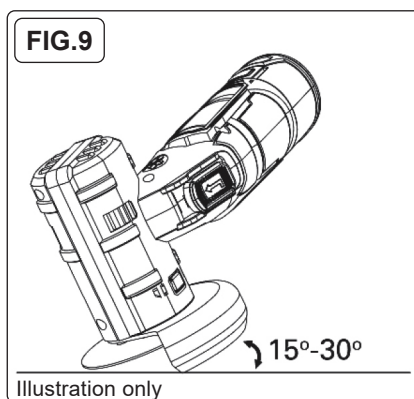
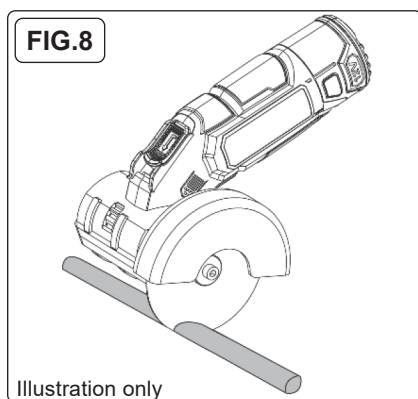
Keep the angle grinder moving so that an excessive amount of material is not removed from one area. If the angle grinder is held in one spot too long, it will gouge and cut grooves in the workpiece. If the angle grinder is held at too sharp an angle, it will gouge the workpiece because of the concentration of pressure on a small area.

5.8. CUTTING OFF (FIG.8)

- ❑ **WARNING! DO NOT** position your body in line with and behind the rotating wheel. When the wheel, at the point of operation, is moving away from your body, the possible kickback may propel the spinning wheel and the power tool directly at you.
- ❑ **WARNING!** When the wheel is binding or when interrupting a cut for any reason, switch off the power tool and hold it motionless until the wheel comes to a complete stop. Never attempt to remove the cut-off wheel from the cut while the wheel is in motion otherwise kickback may occur. Investigate and take corrective action to eliminate the cause of wheel binding.
- ❑ **WARNING!** For cutting metal, always work with the wheel guard for cutting. Workpieces must be adequately secured. When cutting, work with moderate feed, adapted to the material being cut. **DO NOT** exert pressure onto the cutting disc, tilt or oscillate the machine.
- ✖ **DO NOT** reduce the speed of running down cutting discs by applying sideways pressure. The machine must always work in an up-grinding motion. Otherwise, the danger exists of it being pushed uncontrolled out of the cut. When cutting profiles and square bar, it is best to start at the smallest cross section.

5.9. ROUGH GRINDING (FIG.9)

- ❑ **WARNING!** Never use a cutting disc for rough grinding applications. Serious injury to yourself and others can be caused by using the tool for wrong applications.
- ❑ **WARNING! DO NOT** switch the grinder on whilst the disc is in contact with the workpiece. Allow the disc to reach full speed before starting to grind.



- 5.9.1. Always position the guard so that as much of the exposed disc as possible is pointing away from you.
- 5.9.2. Be prepared for a stream of sparks when the disc touches the metal.
- 5.9.3. For best tool control, material removal and minimum overloading, maintain an angle between the disc and work surface of approximately 15°-30° when grinding.
- 5.9.4. Use caution when working into corners as contact with the intersecting surface may cause the grinder to jump or twist.
- 5.9.5. When grinding is complete allow the workpiece to cool.

5.9.6. CHARGING THE BATTERY PACK

- 5.9.7. Plug the charger into the electrical outlet. The green LED light will illuminate.
- 5.9.8. Turn the battery pack upside down and slide it onto the charger. The green LED light will turn off and the red LED light will begin to flash indicating the battery pack is charging.
- 5.9.9. The red LED light will turn off and the green LED light will illuminate when fully charged.
- 5.9.10. Once the battery pack is fully charged, remove the charger plug from the power source and remove the battery pack from the charger.
- ✖ **DO NOT** charge batteries when the work area or the battery temperature is at or below 0°C or above 45°C.

GREEN LIGHT	RED LIGHT	BATTERY ON THE CHARGER	CHARGING STATUS
ON	OFF	NO	Charger connected to power supply
OFF	FLASHING	YES	Battery charging
ON	OFF	YES	Battery fully charged
OFF	ON	YES	Battery defective or bad contact
ON	ON	YES	Battery too hot or too cold to be charged

6. MAINTENANCE

- ❑ **WARNING!** Remove the battery before carrying out any adjustment, servicing or maintenance.
- 6.1. There are no user serviceable parts in your power tool. Never use water or chemical cleaners to clean your power tool. Wipe clean with a dry cloth. Always store your power tool in a cool dry place. Keep the motor ventilation slots clean. Keep all working controls free of dust. Occasionally you may see sparks through the ventilation slots. This is normal and will not damage your power tool.
- 6.2. CLEANING**
- 6.2.1. The angle grinder **MUST** be kept clean and dry and must be maintained in accordance with these instructions.
- 6.2.2. After use, clean off dust and keep in a dry safe place.
- 6.3. STORAGE**
- 6.3.1. The equipment should ideally be stored in a purpose designed facility where it can be kept secure from unauthorised use.

6.4. TRANSPORT

- 6.4.1. During transport to the worksite and whilst in store at the work site, the equipment should be protected from exposure to any conditions which may affect its ability to operate safely. In particular, it should be protected from;
- Exposure to water/sea water.
 - Temperatures higher than can be comfortably tolerated by the hand.
 - Temperatures below freezing point.
 - Solvents.
 - Corrosive chemicals.

6.5. DAMAGE

- 6.5.1. Any angle grinder deemed to be damaged, badly worn, or operates abnormally, **MUST BE REMOVED FROM SERVICE!** It is recommended that necessary repairs be made by an authorised service agent.

6.6. END OF SERVICE

- 6.6.1. Through years of normal wear, the angle grinder will eventually become unserviceable. When this happens ensure that it is disposed of in accordance with local authority regulations.

6.7. BATTERY DISPOSAL

- 6.7.1. Exposure to high temperatures can cause the batteries to explode; **DO NOT** dispose of in a fire. Some countries have regulations concerning battery disposal. Follow all applicable regulations. Return used batteries to a collection location for recycling.

7. TROUBLESHOOTING

- 7.1. If your wheel wobbles or vibrates, check that clamping bolt is tight; check that the wheel is correctly located on the spindle.
- 7.2. If there is any evidence that the wheel is damaged **DO NOT** use as the damaged wheel may disintegrate, remove it and replace with a new wheel. Dispose of old wheels sensibly.
- 7.3. If working on aluminium or a similar soft alloy, the wheel will soon become clogged and will not grind effectively.
- 7.4. When used as intended the power tool cannot be subject to overload. When the load is too high or the allowable battery temperature of 75°C is exceeded, the electronic control switches off the power tool until the temperature is in the optimum temperature range again.
- 7.5. If machine is blocked, please turn off and turn on again after 1~2 seconds.

❑ **WARNING! – RISK OF HAND ARM VIBRATION INJURY.**

This tool may cause Hand Arm Vibration Syndrome if its use is not managed adequately.

This tool is subject to the vibration testing section of the Machinery Directive 2006/42/EC.

This tool is to be operated in accordance with these instructions.

This tool has been tested in accordance with: EN IEC 62841-2-3:2020

Declaration and verification of Vibration Emission figures are in accordance with EN IEC 62841-2-3:2020

Measured vibration emission value (a):.....8.13m/s²

Uncertainty value(k):.....1.5m/s²

Please note that the application of the tool to a sole specialist task may produce a different average vibration emission. We recommend that a specific evaluation of the vibration emission is conducted prior to commencing with a specialist task.

A health and safety assessment by the user (or employer) will need to be carried out to determine the suitable duration of use for each tool.

NB: Stated Vibration Emission values are type-test values and are intended to be typical.

Whilst in use, the actual value will vary considerably from and depend on many factors.

Such factors include; the operator, the task and the inserted tool or consumable.

NB: ensure that the length of leader hoses is sufficient to allow unrestricted use, as this also helps to reduce vibration.

The state of maintenance of the tool itself is also an important factor, a poorly maintained tool will also increase the risk of Hand Arm Vibration Syndrome.

Health surveillance.

We recommend a programme of health surveillance to detect early symptoms of vibration injury so that management procedures can be modified accordingly.

Personal protective equipment.

We are not aware of any personal protective equipment (PPE) that provides protection against vibration injury that may result from the uncontrolled use of this tool. We recommend a sufficient supply of clothing (including gloves) to enable the operator to remain warm and dry and maintain good blood circulation in fingers etc. Please note that the most effective protection is prevention, please refer to the Correct Use and Maintenance section in these instructions. Guidance relating to the management of hand arm vibration can be found on the HSC website www.hse.gov.uk - Hand-Arm Vibration at Work.



ENVIRONMENT PROTECTION

Recycle unwanted materials instead of disposing of them as waste. All tools, accessories and packaging should be sorted, taken to a recycling centre and disposed of in a manner which is compatible with the environment. When the product becomes completely unserviceable and requires disposal, drain any fluids (if applicable) into approved containers and dispose of the product and fluids according to local regulations.



REGISTER YOUR PURCHASE HERE



WEEE REGULATIONS

Dispose of this product at the end of its working life in compliance with the EU Directive on Waste Electrical and Electronic Equipment (WEEE). When the product is no longer required, it must be disposed of in an environmentally protective way. Contact your local solid waste authority for recycling information.

Note: It is our policy to continually improve products and as such we reserve the right to alter data, specifications and component parts without prior notice. Please note that other versions of this product are available. If you require documentation for alternative versions, please email or call our technical team on technical@sealey.co.uk or 01284 757505.

Important: No Liability is accepted for incorrect use of this product.

Warranty: Guarantee is 12 months from purchase date, proof of which is required for any claim.

Sealey Group, Kempson Way, Suffolk Business Park, Bury St Edmunds, Suffolk. IP32 7AR



01284 757500



sales@sealey.co.uk



www.sealey.co.uk