



# 20V CORDLESS PRESSURE WASHER - BODY ONLY

MODEL NO: CP20VPW

Thank you for purchasing a Sealey product. Manufactured to a high standard, this product will, if used according to these instructions, and properly maintained, give you years of trouble free performance.

**IMPORTANT:** PLEASE READ THESE INSTRUCTIONS CAREFULLY. NOTE THE SAFE OPERATIONAL REQUIREMENTS, WARNINGS & CAUTIONS. USE THE PRODUCT CORRECTLY AND WITH CARE FOR THE PURPOSE FOR WHICH IT IS INTENDED. FAILURE TO DO SO MAY CAUSE DAMAGE AND/OR PERSONAL INJURY AND WILL INVALIDATE THE WARRANTY. KEEP THESE INSTRUCTIONS SAFE FOR FUTURE USE.



Refer to instructions



Wear eye protection



Wear protective gloves



Wear protective clothing



Wear ear protection



**DO NOT** drink water from pressure washer



**DO NOT** direct jet against yourself, other persons, animals, electrical equipment or the machine itself

## 1. SAFETY

### 1.1. GENERAL POWER TOOL SAFETY WARNINGS

- WARNING!** Read all safety warnings and all instructions. Failure to follow the warnings and instructions may result in electric shock, fire and/or serious injury.
- WARNING!** Ensure that Health & Safety, local authority and general workshop practice regulations are adhered to when using this polisher.
- ✓ Save all warnings and instructions for future reference.

### 1.2. WORK AREA SAFETY

- ✓ Keep work area clean and well lit. Cluttered or dark areas invite accidents.
- ✗ **DO NOT** operate power tools in explosive atmospheres, such as in the presence of flammable liquids, gases or dust. Power tools create sparks which may ignite the dust or fumes.
- ✓ Keep children and bystanders away while operating a power tool. Distractions can cause you to lose control.

### 1.3. PERSONAL SAFETY

- ✓ Stay alert, watch what you are doing and use common sense when operating a power tool. **DO NOT** use a power tool while you are tired or under the influence of drugs, alcohol or medication. A moment of inattention while operating power tools may result in serious personal injury.
- ✓ Use personal protective equipment. Always wear eye protection. Protective equipment such as dust mask, non-skid safety shoes, hard hat, or hearing protection used for appropriate conditions will reduce personal injuries.
- ✓ Prevent unintentional starting. Ensure the switch is in the off-position before connecting to power source and/or battery pack, picking up or carrying the tool.
- ✓ Carrying power tools with your finger on the switch or energising power tools that have the switch on invites accidents.
- ✓ Remove any adjusting key or wrench before turning the power tool on.
- ✗ **DO NOT** overreach. Keep proper footing and balance at all times. This enables better control of the power tool in unexpected situations.
- ✓ Dress properly. **DO NOT** wear loose clothing or jewellery. Keep your hair, clothing and gloves away from moving parts. Loose clothes, jewellery or long hair can be caught in moving parts.
- ✓ If devices are provided for the connection of dust extraction and collection facilities, ensure these are connected and properly used.

### 1.4. POWER TOOL USE AND CARE

- ✗ **DO NOT** force the power tool. Use the correct power tool for your application. The correct power tool will do the job better and safer at the rate for which it was designed.
- ✗ **DO NOT** use the power tool if the switch does not turn it on and off. Any power tool that cannot be controlled with the switch is dangerous and must be repaired.
- WARNING!** Remove the battery pack from the power tool before making any adjustments, changing accessories, or storing power tools.
- ✓ Store idle power tools out of the reach of children and do not allow persons unfamiliar with the power tool or these instructions to operate the power tool. Power tools are dangerous in the hands of untrained users.
- ✓ Maintain power tools. Check for misalignment or binding of moving parts, breakage of parts and any other condition that may affect the power tool's operation. If damaged, have the power tool repaired before use. Many accidents are caused by poorly maintained power tools.
- ✓ Use the power tool, accessories and tool bits etc. in accordance with these instructions, taking into account the working conditions and the work to be performed. Use of the power tool for operations different from those intended could result in a hazardous situation.

### 1.5. SERVICE

- ✓ Have your power tool serviced by a qualified repair person using only identical replacement parts. This will ensure that the safety of the power tool is maintained. Unauthorised parts may be dangerous and will invalidate the warranty.

### 1.6. SPECIFIC PRESSURE WASHER SAFETY

- ✓ **WARNING!** Disconnect the battery before changing accessories, servicing or performing any maintenance.
- WARNING!** Keep all connections tight and in good working order.
- ✓ Check regularly for damaged parts. Any part that is damaged must be repaired/replaced before the washer is next used.
- ✓ Use where air can freely circulate around the washer to avoid the machine over-heating.

- ❑ **WARNING!** Ensure all persons and animals keep at a minimum distance of 15m from the washer when in use.
  - ❑ **WARNING!** The pressure washer must only be used with clean water. Non-filtered water or corrosive chemicals must not be used as they will damage the cleaner.
  - ✓ Release residual pressure before disconnecting hose.
  - ✓ Ensure the nozzle is aimed correctly at the working surface before activating the jet.
  - ❑ **WARNING!** The high pressure jet will cause loose particles to be propelled at high speed, which may cause serious injury.
  - ❑ **WARNING! DO NOT** use the washer on any material containing asbestos as this may release hazardous asbestos particles into the atmosphere.
  - ✗ **DO NOT** touch charger with wet hands, to avoid the risk of electrocution. Keep all connections dry and off the ground.
  - ✗ **DO NOT** direct jet against yourself, other persons or animals, electrical equipment or the machine itself.
  - ✗ **DO NOT** use washer if you are tired or under the influence of alcohol, drugs or intoxicating medication.
  - ✗ **DO NOT** use the washer with flammable or toxic liquids or any other product. Only use recommended detergent. Non-recommended detergents may corrode the machine cover and accessories.
  - ✗ **DO NOT** connect other appliances to the machine inlet or outlet.
  - ✗ **DO NOT** move the unit by pulling the hoses or electrical cables.
  - ✓ When not in use store in a frost proof, dry childproof location.
- NOTE:** This appliance can be used by children aged from 8 years and above and persons with reduced physical, sensory or mental capabilities or lack of experience and knowledge if they have been given supervision or instruction concerning use of the appliance in a safe way and understand the hazards involved. Children shall not play with the appliance. Cleaning and user maintenance shall not be made by children without supervision.
- ✓ Keep the washer clean for best and safest performance.
  - ✓ Before each use check all attachments and connections for condition. If worn or damaged replace immediately.
  - ✗ **DO NOT** allow untrained persons to operate the washer.
- When not in use, remove the battery and store in a safe, dry, childproof area.

## 2. INTRODUCTION

Lightweight and portable cordless pressure washer. Ideal for cleaning muddy bikes and sports equipment, as well as gutters, conservatory roofs and other hard to reach places. Six function nozzles, selected by turning spray head. 120L/hr flow rate and a working pressure of 22bar. 6m water intake hose with float and filter can draw water from any remote source. Supplied with soap pot. Requires compatible 20V battery and mains charger, sold separately.

## 3. SPECIFICATION

**MODEL NO:** ..... CP20VPW  
**Hose Length:**..... 6m  
**Maximum Pressure:**..... 22bar(320psi)  
**Maximum Water Flow:**..... 120L/hr  
**Motor Power:**..... 130W  
**Supply:**.....20V  
**CONSUMABLES:**  
 Mains Charger (not included): CP20VMC  
 Battery (not included):..... CP20VBP2, CP20VBP4, CP20VBP6



## 4. ASSEMBLY

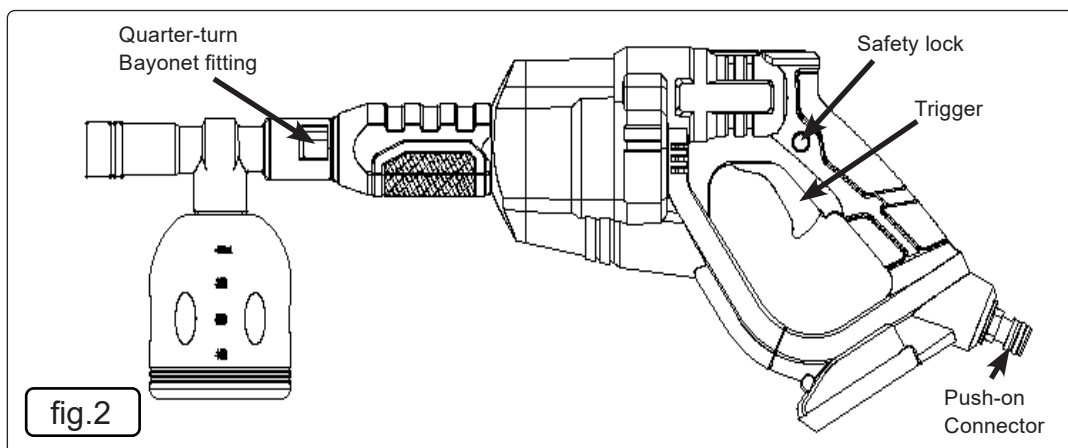
- ❑ **WARNING!** Ensure that you read, fully understand, and apply the safety instructions before use.
- ❑ **WARNING!** Ensure battery is not fitted before assembly.

### 4.1. LANCE AND SOAP DISPENSER CONNECTION

4.1.1. Both items connect to the hand unit via a bayonet type quarter-turn connector (fig.2).

### 4.2. SUPPLY HOSE CONNECTION

4.2.1. The supply hose connects to the main unit via a push-on type connector (fig.2).



## 5. OPERATION

### 5.1. PRIMARY CHECKS

- 5.1.1. Check that the inlet filter is clean; pump delivery and pressure will be reduced if blocked. Never use the machine without a filter (which is fitted at the end of the supply hose).
- 5.1.2. Ensure that the water supply, hose and gun are correctly connected, and that air can circulate around the washer freely.

### 5.2. OPERATING THE UNIT

- 5.2.1. Hold the spray gun firmly to counteract the recoil caused by the high pressure jet of the water. Before switching on, ensure that the lance is not directed at people, objects or animals prior to being directed at the object to be cleaned.
- 5.2.2. To start spraying, hold down the safety button (fig.2) and depress the trigger (fig.2) fully. When the trigger is released, the motor will switch off automatically.
- 5.2.3. Spray pattern adjustment can be made by rotating the spray nozzle head to one of 6 possible styles.
- 5.2.4. When using the soap dispenser unit: **NOTE:** This device has been designed to be used with a neutral, biodegradable cleaning agent. Other detergents or chemical substances could impair the safety of the pressure cleaner and damage it. Such damage to the equipment is not covered by the guarantee.

### 5.3. WHEN WASHING IS COMPLETED

- 5.3.1. Wipe the machine clean and dry.
- 5.3.2. Remove the battery.
- 5.3.3. Disconnect the water supply hose.
- 5.3.4. Discharge any residual pressure in the unit by pressing the trigger until no more water comes out of the nozzle.
  - WARNING!** Failure to discharge pressure could result in personal injury.
- 5.3.5. Store in a clean, safe, dry, frost free and childproof location.

#### **WARNING! – Risk of Hand Arm Vibration Injury.**

**This tool may cause Hand Arm Vibration Syndrome if its use is not managed adequately.**

This tool is subject to the vibration testing section of the Machinery Directive 2006/42/EC.

This tool is to be operated in accordance with these instructions.

**Measured vibration emission value (a): . . . . .1.339 m/s<sup>2</sup>**

**Uncertainty value (k): . . . . .1.5 m/s<sup>2</sup>**

*Please note that the application of the tool to a sole specialist task may produce a different average vibration emission. We recommend that a specific evaluation of the vibration emission is conducted prior to commencing with a specialist task.*

A health and safety assessment by the user (or employer) will need to be carried out to determine the suitable duration of use for each tool.

**NB:** Stated Vibration Emission values are type-test values and are intended to be typical.

Whilst in use, the actual value will vary considerably from and depend on many factors.

Such factors include; the operator, the task and the inserted tool or consumable.

**NB:** ensure that the length of leader hoses is sufficient to allow unrestricted use, as this also helps to reduce vibration.

*State of maintenance of the tool itself is also an important factor, a poorly maintained tool will also increase risk of Hand Arm Vibration Syndrome.*

#### **Health surveillance.**

We recommend a programme of health surveillance to detect early symptoms of vibration injury so that management procedures can be modified accordingly.

#### **Personal protective equipment.**

We are not aware of any personal protective equipment (PPE) that provides protection against vibration injury that may result from the uncontrolled use of this tool. We recommend a sufficient supply of clothing (including gloves) to enable the operator to remain warm and dry and maintain good blood circulation in fingers etc. Please note that the most effective protection is prevention, please refer to the Correct Use and Maintenance section in these instructions. Guidance relating to the management of hand arm vibration can be found on the HSC website [www.hse.gov.uk](http://www.hse.gov.uk) - Hand-Arm Vibration at Work.



#### **ENVIRONMENT PROTECTION**

Recycle unwanted materials instead of disposing of them as waste. All tools, accessories and packaging should be sorted, taken to a recycling centre and disposed of in a manner which is compatible with the environment. When the product becomes completely unserviceable and requires disposal, drain any fluids (if applicable) into approved containers and dispose of the product and fluids according to local regulations.



#### **WEEE REGULATIONS**

Dispose of this product at the end of its working life in compliance with the EU Directive on Waste Electrical and Electronic Equipment (WEEE). When the product is no longer required, it must be disposed of in an environmentally protective way. Contact your local solid waste authority for recycling information.



#### **BATTERY REMOVAL**

Under the Waste Batteries and Accumulators Regulations 2009, Jack Sealey Ltd are required to inform potential purchasers of products containing batteries (as defined within these regulations), that they are registered with Valpak's registered compliance scheme. Jack Sealey Ltd Batteries Producer Registration Number (BPRN) is BPRN00705.

**Note:** It is our policy to continually improve products and as such we reserve the right to alter data, specifications and component parts without prior notice.

**Important:** No Liability is accepted for incorrect use of this product.

**Warranty:** Guarantee is 12 months from purchase date, proof of which is required for any claim.

**Sealey Group, Kempson Way, Suffolk Business Park, Bury St Edmunds, Suffolk. IP32 7AR**



**01284 757500**



**01284 703534**



**sales@sealey.co.uk**



**www.sealey.co.uk**