



# 20V SV20 SERIES 1/2"SQ DRIVE IMPACT WRENCH BODY ONLY 750NM

MODEL NO: CP20VPIW.V2

Thank you for purchasing a Sealey product. Manufactured to a high standard, this product will, if used according to these instructions, and properly maintained, give you years of trouble free performance.

**IMPORTANT:** PLEASE READ THESE INSTRUCTIONS CAREFULLY. NOTE THE SAFE OPERATIONAL REQUIREMENTS, WARNINGS & CAUTIONS. USE THE PRODUCT CORRECTLY AND WITH CARE FOR THE PURPOSE FOR WHICH IT IS INTENDED. FAILURE TO DO SO MAY CAUSE DAMAGE AND/OR PERSONAL INJURY AND WILL INVALIDATE THE WARRANTY. KEEP THESE INSTRUCTIONS SAFE FOR FUTURE USE.



Refer to instruction manual



Wear eye protection



Wear ear protection



Wear protective gloves

## 1. SAFETY

### 1.1. GENERAL POWER TOOL SAFETY

- ❑ **WARNING!** Read all safety warnings, instructions, illustrations and specifications provided with this power tool. Failure to follow all instructions listed below may result in electric shock, fire and/or serious injury.

The term "power tool" in the warnings refers to your mains-operated (corded) power tool or battery-operated (cordless) power tool.

### 1.2. WORK AREA SAFETY

- ✓ Keep work area clean and well lit. Cluttered or dark areas invite accidents.
- ✗ **DO NOT** operate power tools in explosive atmospheres, such as in the presence of flammable liquids, gases or dust. Power tools create sparks which may ignite the dust or fumes.
- ✓ Keep children and bystanders away while operating a power tool. Distractions can cause you to lose control.

### 1.3. ELECTRICAL SAFETY

- ✓ Power tool plugs must match the outlet. Never modify the plug in any way. **DO NOT** use any adapter plugs with earthed (grounded) power tools. Unmodified plugs and matching outlets will reduce risk of electric shock.
- ✓ Avoid body contact with earthed or grounded surfaces, such as pipes, radiators, ranges and refrigerators. There is an increased risk of electric shock if your body is earthed or grounded.
- ✗ **DO NOT** expose power tools to rain or wet conditions. Water entering a power tool will increase the risk of electric shock.

### 1.4. PERSONAL SAFETY

- ✓ Stay alert, watch what you are doing and use common sense when operating a power tool. **DO NOT** use a power tool while you are tired or under the influence of drugs, alcohol or medication. A moment of inattention while operating power tools may result in serious personal injury.
- ✓ Use personal protective equipment. Always wear eye protection. Protective equipment such as a dust mask, non-skid safety shoes, hard hat or hearing protection used for appropriate conditions will reduce personal injuries.
- ✓ Prevent unintentional starting. Ensure the switch is in the off-position before connecting to power source and/or battery pack, picking up or carrying the tool. Carrying power tools with your finger on the switch or energising power tools that have the switch on invites accidents.
- ✓ Remove any adjusting key or wrench before turning the power tool on. A wrench or a key left attached to a rotating part of the power tool may result in personal injury.
- ✗ **DO NOT** overreach. Keep proper footing and balance at all times. This enables better control of the power tool in unexpected situations.
- ✓ Dress properly. **DO NOT** wear loose clothing or jewellery. Keep your hair and clothing away from moving parts. Loose clothes, jewellery or long hair can be caught in moving parts.
- ✓ If devices are provided for the connection of dust extraction and collection facilities, ensure these are connected and properly used. Use of dust collection can reduce dust-related hazards.
- ✗ **DO NOT** let familiarity gained from frequent use of tools allow you to become complacent and ignore tool safety principles. A careless action can cause severe injury within a fraction of a second.
- ✓ Always wear protective goggles to protect your eyes from injury when using power tools.
- ✓ It is an employer's responsibility to enforce the use of appropriate safety protective equipment by the tool operators and by other persons in the immediate working area.

### 1.5. POWER TOOL USE AND CARE

- ✗ **DO NOT** force the power tool. Use the correct power tool for your application. The correct power tool will do the job better and safer at the rate for which it was designed.
- ✗ **DO NOT** use the power tool if the switch does not turn it on and off. Any power tool that cannot be controlled with the switch is dangerous and must be repaired.
- ✓ Disconnect the plug from the power source and/or remove the battery pack, if detachable, from the power tool before making any adjustments, changing accessories, or storing power tools. Such preventive safety measures reduce the risk of starting the power tool accidentally.
- ✓ Store idle power tools out of the reach of children and do not allow persons unfamiliar with the power tool or these instructions to operate the power tool. Power tools are dangerous in the hands of untrained users.
- ✓ Maintain power tools and accessories. Check for misalignment or binding of moving parts, breakage of parts and any other condition that may affect the power tool's operation. If damaged, have the power tool repaired before use. Many accidents are caused by poorly maintained power tools.
- ✓ Professional repair only. There are no user replaceable parts.
- ✓ Keep cutting tools sharp and clean. Properly maintained cutting tools with sharp cutting edges are less likely to bind and are easier to control.
- ✓ Use the power tool, accessories and tool bits etc. in accordance with these instructions, taking into account the working conditions and

- the work to be performed. Use of the power tool for operations different from those intended could result in a hazardous situation.
- ✓ Keep handles and grasping surfaces dry, clean and free from oil and grease. Slippery handles and grasping surfaces do not allow for safe handling and control of the tool in unexpected situations.
  - ✓ When using the tool, do not wear cloth work gloves which may be entangled. The entanglement of cloth work gloves in the moving parts may result in personal injury.
- 1.6. BATTERY TOOL USE AND CARE**
- ✓ Recharge only with the charger specified by the manufacturer. A charger that is suitable for one type of battery pack may create a risk of fire when used with another battery pack.
  - ✓ Use power tools only with specifically designated battery packs. Use of any other battery packs may create a risk of injury and fire.
  - ✓ When battery pack is not in use, keep it away from other metal objects, like paper clips, coins, keys, nails, screws or other small metal objects, that can make a connection from one terminal to another. Shorting the battery terminals together may cause burns or a fire.
  - ✓ Under abusive conditions, liquid may be ejected from the battery; avoid contact. If contact accidentally occurs, flush with water. If liquid contacts eyes, additionally seek medical help. Liquid ejected from the battery may cause irritation or burns.
  - ✗ **DO NOT** use a battery pack or tool that is damaged or modified. Damaged or modified batteries may exhibit unpredictable behaviour resulting in fire, explosion or risk of injury.
  - ✗ **DO NOT** expose a battery pack or tool to fire or excessive temperature. Exposure to fire or temperature above 130°C may cause explosion.
  - ✓ Follow all charging instructions and **DO NOT** charge the battery pack or tool outside the temperature range specified in the instructions. Charging improperly or at temperatures outside the specified range may damage the battery and increase the risk of fire.
- 1.7. SERVICE**
- ✓ Have your power tool serviced by a qualified repair person using only identical replacement parts. This will ensure that the safety of the power tool is maintained.
  - ✓ Never service damaged battery packs. Service of battery packs should only be performed by the manufacturer or authorized service providers.
  - ✓ Follow instruction for lubricating and changing accessories.
- 1.8. CORDLESS IMPACT WRENCH SAFETY WARNINGS**
- ✓ Hold the power tool firmly by insulated gripping surfaces, when performing an operation where the fastener may contact hidden wiring. Fasteners contacting a "live" wire may make exposed metal parts of the power tool "live" and could give the operator an electric shock.
  - ✓ Wear ear protectors.
  - ✓ Risk assess the task being performed. Clamp any workpiece likely to move during use of this tool.
  - ✓ Check the impact socket carefully for wear, cracks or damage before installation.
  - ✓ Keep hands away from rotating parts.
  - ✓ Always be sure you have a firm footing. Be sure no one is below when using the tool in high locations.
  - ✓ The proper fastening torque may differ depending upon the kind or size of the bolt. Check the torque with a torque wrench.
  - ☐ **WARNING! DO NOT** let comfort or familiarity with product (gained from repeated use) replace strict adherence to safety rules for the subject product. MISUSE or failure to follow the safety rules stated in this instruction manual may cause serious personal injury.
- 1.9. IMPORTANT SAFETY INSTRUCTIONS FOR BATTERY CARTRIDGE**
- ✓ Before using battery cartridge, read all instructions and cautionary markings on battery charger, battery and product using battery.
  - ✗ **DO NOT** disassemble the battery cartridge.
  - ✓ If operating time has become excessively shorter, stop operating immediately. It may result in a risk of overheating, possible burns and even an explosion.
  - ✓ If electrolyte gets into your eyes, rinse them out with clear water and seek medical attention right away. It may result in loss of your eyesight.
  - ✗ **DO NOT** short the battery cartridge:
  - ✗ **DO NOT** touch the terminals with any conductive material.
  - ✓ Avoid storing battery cartridge in a container with other metal objects such as nails, coins, etc.
  - ✗ **DO NOT** expose battery cartridge to water or rain.
  - ✓ A battery short can cause a large current flow, overheating, possible burns and even a breakdown.
  - ✗ **DO NOT** store the tool and battery cartridge in locations where the temperature may reach or exceed 50 °C (122 °F).
  - ✗ **DO NOT** incinerate the battery cartridge even if it is severely damaged or is completely worn out. The battery cartridge can explode in a fire.
  - ✓ Be careful not to drop or strike battery.
  - ✗ **DO NOT** use a damaged battery.
  - ✓ Follow your local regulations relating to disposal of batteries.
  - ✓ Use the batteries only with the products specified by Sealey. Installing the batteries to non-compliant products may result in a fire, excessive heat, explosion, or leak of electrolyte.
  - CAUTION:** Only use genuine Sealey batteries. Use of non-genuine Sealey batteries, or batteries that have been altered, may result in the battery bursting causing fires, personal injury and damage. It will also void the warranty for the tool and charger.
- 1.10. TIPS FOR MAINTAINING MAXIMUM BATTERY LIFE**
- ✓ Charge the battery cartridge before completely discharged. Always stop tool operation and charge the battery cartridge when you notice less tool power.
  - ✗ Never recharge a fully charged battery cartridge. Overcharging shortens the battery service life.
  - ✓ Charge the battery cartridge with room temperature at 5°C - 45°C . Let a hot battery cartridge cool down before charging it.
  - ✓ Charge the battery cartridge if you do not use it for a long period (more than six months).

## 2. INTRODUCTION

Powerful, lightweight cordless impact wrench. Durable composite housing with soft grip for added comfort. Variable speed trigger switch as well as three selectable speed settings for maximum control. All metal gear construction for ultimate durability and performance. Built-in LED worklight. Forward, reverse and trigger-lock. Fitted with electronic brake. Supplied with belt hook for safer storage whilst not in use. Requires compatible 20V battery and mains charger, sold separately.

### 3. SPECIFICATION

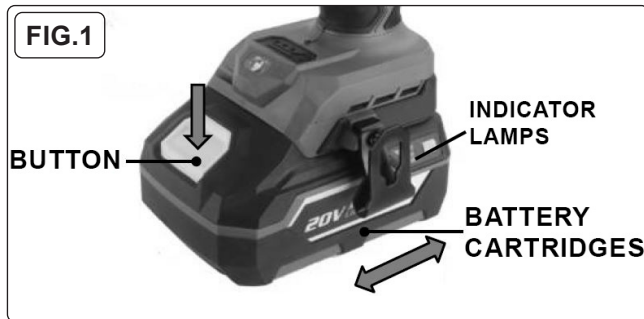
<b>MODEL NO:</b>	<b>CP20VPIW.V2</b>
Battery:	20V 2Ah - 6Ah Lithium-ion (not included)
Breakaway Torque:	750Nm(553lb.ft)
Drive:	1/2" Sq Drive
Fastening Torque:	500Nm(368lb.ft)
Impact Rate:	0-2300, 0-2700, 0-3000bpm
Nett Weight:	1.84kg
Noise Power/Pressure:	94/86dB(A)
No-Load Speed:	0-1700, 0-2100, 0-2400rpm
Vibration/Uncertainty:	5.24/1.5m/s <sup>2</sup>
<b>Accessories (sold separately):</b>	
Battery Packs:	CP20VBP2, CP20VBP4, CP20VBP6
Chargers:	CP20VMC, CP20VMC2



**NOTE:** when the product is combined with the one of the above batteries, nett weight increases by 0.4-0.9kg.

### 4. FUNCTIONAL OVERVIEW

**CAUTION:** Always be sure that the tool is switched off and the battery is removed before adjusting or checking function on the tool.



Indicator lamps		Remaining capacity
Lighted	Off	
 GREEN ORANGE RED	 ORANGE RED	75% to 100%
 ORANGE RED	 RED	25% to 50%
 RED		10% to 25%

#### 4.1. INSTALLING OR REMOVING BATTERY CARTRIDGE (FIG.1)

**CAUTION:** Always switch off the tool before installing or removing of the battery cartridge.

**CAUTION:** Hold the tool and the battery cartridge firmly when installing or removing battery cartridge. Failure to hold the tool and the battery cartridge firmly may cause them to slip off your hands and result in damage to the tool and battery cartridge and a personal injury.

4.1.1. To remove the battery cartridge, slide it from the tool while sliding the button on the front of the cartridge.

4.1.2. To install the battery cartridge, align the tongue on the battery cartridge with the groove in the housing and slip it into place. Insert it all the way until it locks in place with a little click.

**CAUTION:** Always install the battery cartridge fully. If not, it may accidentally fall out of the tool, causing injury to you or someone around you.

**CAUTION:** Do not install the battery cartridge forcibly. If the cartridge does not slide in easily, it is not being inserted correctly.

#### 4.2. INDICATING THE REMAINING BATTERY CAPACITY

4.2.1. Press the check button next to the indicator lamps on the battery cartridge to indicate the remaining battery capacity. The indicator lamps light off immediately when release the check button.

#### 4.3. TOOL / BATTERY PROTECTION SYSTEM

The tool is equipped with a tool/battery protection system. This system automatically cuts off power to the motor to extend tool and battery life. The tool will automatically stop during operation if the tool or battery is placed under one of the following conditions:

##### 4.3.1. OVERLOAD PROTECTION

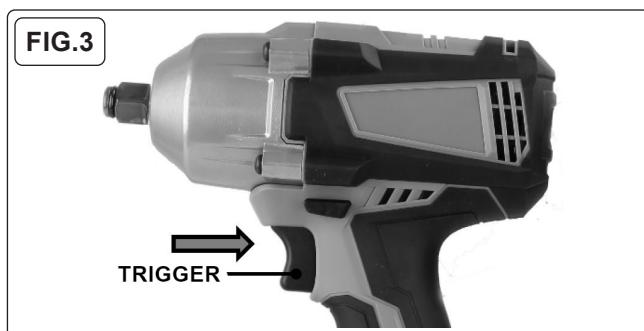
When the battery is operated in a manner that causes it to draw an abnormally high current, the tool automatically stops without any indication. In this situation, turn the tool off and stop the application that caused the tool to become overloaded. Then turn the tool on to restart.

##### 4.3.2. OVERHEAT PROTECTION

When the tool/battery is overheated, the tool stops automatically. In this situation, let the battery cool before turning the tool on again.

##### 4.3.3. OVER DISCHARGE PROTECTION

When the battery capacity is not enough, the tool stops automatically. In this case, remove the battery from the tool and charge the battery.



**4.4. SWITCH ACTION (FIG.3)**

4.4.1. To start the tool, simply pull the switch trigger. Tool speed is increased by increasing pressure on the switch trigger.

4.4.2. Release the switch trigger to stop.

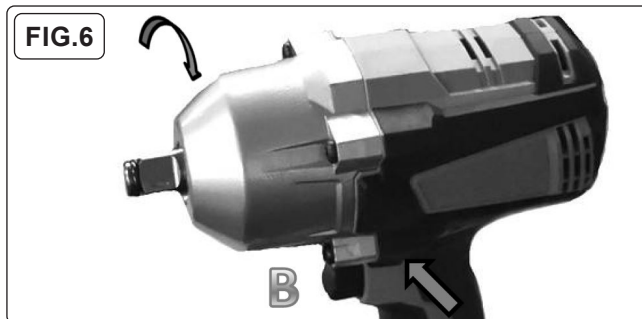
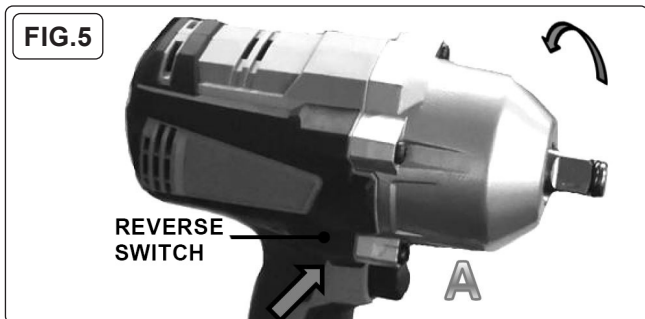
**CAUTION:** Before installing the battery cartridge into the tool, always check to see that the switch trigger actuates properly and returns to the "OFF" position when released.

**4.5. LIGHTING UP THE FRONT LAMP (FIG.4)**

**CAUTION:** Do not look in the light or see the source of light directly.

4.5.1. Pull the switch trigger to light up the lamp. The lamp keeps on lighting while the switch trigger is being pulled. The lamp goes out approximately 10 seconds after releasing the switch trigger.

**NOTE:** Use a dry cloth to wipe the dirt off the lens of the lamp. Be careful not to scratch the lens of lamp, or it may lower the illumination.



**4.6. REVERSING SWITCH ACTION (FIG.5 & 6)**

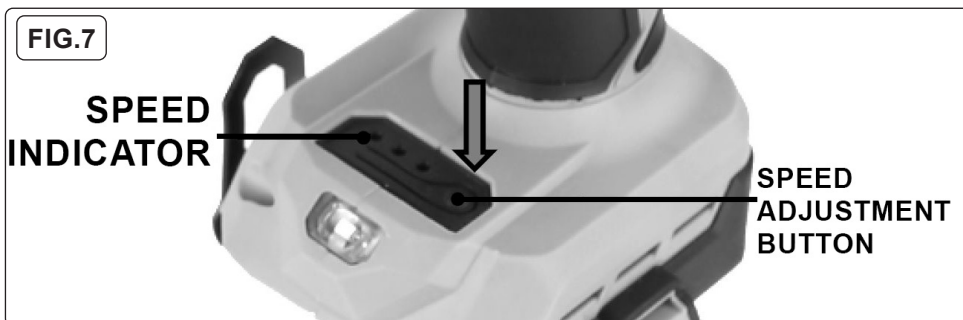
**CAUTION:** Always check the direction of rotation before operation.

**CAUTION:** Use the reversing switch only after the tool comes to a complete stop. Changing the direction of rotation before the tool stops may damage the tool.

**CAUTION:** When not operating the tool, always set the reversing switch lever to the neutral position.

4.6.1. This tool has a reversing switch to change the direction of rotation. Depress the reversing switch lever from the A side for clockwise rotation or from the B side for counterclockwise rotation.

4.6.2. When the reversing switch lever is in the neutral position, the switch trigger cannot be pulled.



**4.7. SPEED/TORQUE CHANGE (FIG.7)**

4.7.1. Through changing the speed you can get the impact force in three steps: hard, medium, and soft mode. This allows a tightening suitable to the work.

4.7.2. Three speed adjust is provided by this tool only when the tool rotating in clockwise direction. The tool rotating in anticlockwise direction only with max impact force and the speed can not be adjusted.

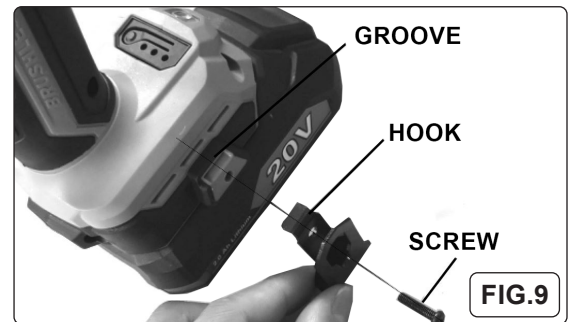
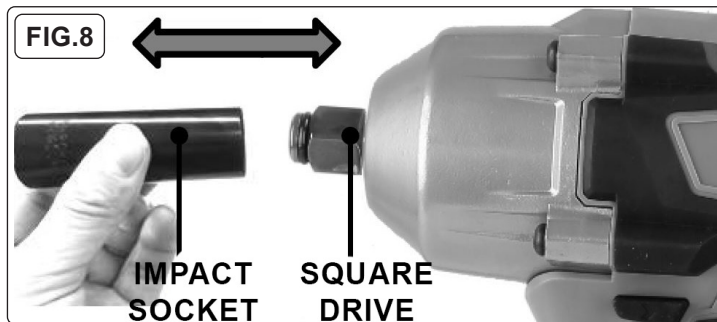
4.7.3. To change the speed, pull the switch trigger, then depress the speed adjusting button each time to select the speed that you desired.

4.7.4. Every time the speed adjust button is pressed, the indicator lamp will light on and changes in steps to indicator.

IMPACT FORCE GRADE	SPEED	PURPOSE	EXAMPLE OF APPLICATION
Hard	0 – 2,400/min	Tightening with the maximum force and speed.  Tightening when force and speed are desired.	Assembling steel frames and tightening long screws or bolts.
Medium	0 – 2,100/min	Tightening when you need good controlled power.  Tightening when a good finishing is needed.	Assembling or disassembling scaffolds and frameworks.
Soft	0 – 1,700/min	Tightening when you need fine adjustment with small diameter bolt.  Tightening with less force to avoid screw thread breakage.	Assembling furniture.

## 5. ASSEMBLY

**CAUTION:** Always be sure that the tool is switched off and the battery cartridge is removed before carrying out any work on the tool.



### 5.1. SELECTING CORRECT IMPACT SOCKET

Always use the correct size impact socket for bolts and nuts. An incorrect size impact socket will result in inaccurate and inconsistent fastening torque and/or damage to the bolt or nut.

### 5.2. INSTALLING OR REMOVING IMPACT SOCKET (FIG.8)

To install the impact socket, push it onto the square drive of the tool until it locks into place. To remove the impact socket, simply pull it off.

### 5.3. INSTALLING HOOK (FIG.9)

**CAUTION:** When installing the hook, always secure it with the screw firmly. If not, the hook may come off from the tool and result in the personal injury.

The hook is convenient for temporarily hanging the tool. This can be installed on both side of the tool. To install the hook, insert it into a groove in the tool housing on either side and then secure it with a screw. To remove, loosen the screw and then take it out.

## 6. OPERATION

**CAUTION:** Always insert the battery cartridge all the way until it locks in place. If not, it may accidentally fall out of the tool, causing injury to you or someone around you.

### 6.1. FASTENING

6.1.1. Hold the tool firmly and place the impact socket over the bolt or nut. Turn the tool on and fasten for the proper fastening time.

### 6.1.2. THE FASTENING TORQUE IS AFFECTED BY A WIDE VARIETY OF FACTORS, INCLUDING:

#### 1 - BATTERY CHARGE

When the battery cartridge is discharged almost completely, voltage will drop and the fastening torque will be reduced.

#### 2 - IMPACT SOCKET

Failure to use the correct size impact socket will cause a reduction in the fastening torque. A worn impact socket (wear on the hex end or square end) will cause a reduction in the fastening torque.

#### 3 - BOLT

Even though the torque coefficient and the class of bolt are the same, the proper fastening torque will differ according to the diameter of bolt. Even though the diameters of bolts are the same, the proper fastening torque will differ according to the torque coefficient, the class of bolt and the bolt length.

#### 4 - OPERATING SPEED

Operating the tool at low speed will cause a reduction in the fastening torque.

### 6.2. LOOSENING

6.2.1. Depress the reversing switch lever from the B side for anticlockwise rotation.

6.2.2. Squeeze the trigger.

## 7. MAINTENANCE

**CAUTION:** Always be sure that the tool is switched off and the battery cartridge is removed before attempting to perform inspection or maintenance.

7.1. **DO NOT** use gasoline, benzine, thinner, alcohol or the like. Discoloration, deformation or cracks may result.

7.2. Repairs and any other maintenance or adjustment should be performed by authorised service centres, using genuine Sealey replacement parts. Contact Sealey for details of local service centres.

### ☐ **WARNING! HAND ARM VIBRATION**

The declared vibration total value(s) and the declared noise emission value(s) have been measured in accordance with a standard test method and may be used for comparing one tool with another. The declared vibration total values and the declared noise emission values may also be used in a preliminary assessment of exposure. The vibration and noise emissions during actual use of the power tool can differ from the declared values depending on the ways in which the tool is used, especially what kind of workpiece is processed. Perform a risk assessment to identify safety measures to protect the operator based on an estimation of exposure and the actual condition of use.



#### ENVIRONMENT PROTECTION

Recycle unwanted materials instead of disposing of them as waste. All tools, accessories and packaging should be sorted, taken to a recycling centre and disposed of in a manner which is compatible with the environment. When the product becomes completely unserviceable and requires disposal, drain any fluids (if applicable) into approved containers and dispose of the product and fluids according to local regulations.



REGISTER YOUR PURCHASE HERE



#### WEEE REGULATIONS

Dispose of this product at the end of its working life in compliance with the EU Directive on Waste Electrical and Electronic Equipment (WEEE). When the product is no longer required, it must be disposed of in an environmentally protective way. Contact your local solid waste authority for recycling information.



#### BATTERY REMOVAL

Under the Waste Batteries and Accumulators Regulations 2009, Jack Sealey Ltd are required to inform potential purchasers of products containing batteries (as defined within these regulations), that they are registered with Valpak's registered compliance scheme. Jack Sealey Ltd Batteries Producer Registration Number (BPRN) is BPRN00705.

Li-ion

**Note:** It is our policy to continually improve products and as such we reserve the right to alter data, specifications and component parts without prior notice. Please note that other versions of this product are available. If you require documentation for alternative versions, please email or call our technical team on [technical@sealey.co.uk](mailto:technical@sealey.co.uk) or 01284 757505.

**Important:** No Liability is accepted for incorrect use of this product.

**Warranty:** Guarantee is 36 months from purchase date, proof of which is required for any claim.

Sealey Group, Kempson Way, Suffolk Business Park, Bury St Edmunds, Suffolk. IP32 7AR



01284 757500



[sales@sealey.co.uk](mailto:sales@sealey.co.uk)



[www.sealey.co.uk](http://www.sealey.co.uk)