



BRUSHLESS IMPACT WRENCH 20V 1/2"SQ 300NM - BODY ONLY

MODEL NO: **CP20VIWX**

Thank you for purchasing a Sealey product. Manufactured to a high standard, this product will, if used according to these instructions, and properly maintained, give you years of trouble free performance.

IMPORTANT: PLEASE READ THESE INSTRUCTIONS CAREFULLY. NOTE THE SAFE OPERATIONAL REQUIREMENTS, WARNINGS & CAUTIONS. USE THE PRODUCT CORRECTLY AND WITH CARE FOR THE PURPOSE FOR WHICH IT IS INTENDED. FAILURE TO DO SO MAY CAUSE DAMAGE AND/OR PERSONAL INJURY AND WILL INVALIDATE THE WARRANTY. KEEP THESE INSTRUCTIONS SAFE FOR FUTURE USE.



Refer to instructions



Wear eye protection



Wear protective gloves



Wear ear protection

1. SAFETY

1.1. GENERAL SAFETY.

- ✓ Maintain the Impact Wrench and battery in good condition. Check moving parts alignment on a regular basis.
- ✓ Replace or repair damaged parts. Use an authorised service agent and recommended parts only. Unauthorised parts may be dangerous and will invalidate the warranty.
- ✓ Ensure the Impact Wrench is switched off before installing the battery pack.
- ✓ Keep the Impact Wrench and charger clean for best and safest performance.
- ✓ Remove ill fitting clothing. Remove ties, watches, rings and other loose jewellery and contain long hair.
- ✓ Evaluate your working area before using the Impact Wrench; e.g. ceilings, floors and enclosures may contain electrical items or water piping
- ✓ Ensure battery pack is correctly inserted into the Impact Wrench handle and latched in place before attempting to switch on Impact Wrench.
- ✓ Secure loose work pieces with a clamp, vice or other adequate holding device.
- ✓ Avoid unintentional starting.
- ✓ Wear approved safety eye protection (standard spectacles are not adequate).
- ✓ Maintain correct balance and footing. Ensure the floor is not slippery and wear non-skid shoes.
- ✓ Keep direction switch in the locked position until the Impact Wrench is required for use.
- ✓ Keep children and unauthorised persons away from the working area.
- ✗ **DO NOT** use the Impact Wrench where there are flammable liquids, solids or gases, such as paint solvents, etc.
- ✗ **DO NOT** allow children to operate the Impact Wrench.
- ✗ **DO NOT** operate the Impact Wrench if any parts are missing as this may cause failure and/or personal injury.
- ✗ **DO NOT** hold unsecured work piece in your hand.
- ✗ **DO NOT** leave the Impact Wrench operating unattended.
- ✗ **DO NOT** carry the Impact Wrench with your finger on the power switch. Keep direction switch in the locked position.
- ✗ **DO NOT** use the Impact Wrench for a task it is not designed to perform.
- ✗ **DO NOT** operate the Impact Wrench when you are tired or under the influence of alcohol, drugs or intoxicating medication.
- ✗ **DO NOT** get the Impact Wrench or battery charger wet or use in damp or wet locations.

2. INTRODUCTION

The 20V Series has been designed to suit users from the DIY enthusiast to the professional. These body only tools offer a one battery fits all solution with a choice of 20V lithium batteries ranging from 2Ah to 4Ah, meaning costs can be kept down whilst quality remains high. Quality, stylish, lightweight tools with composite housing and a soft grip making them comfortable and easy to use.

3. SPECIFICATION

Model No..... **CP20VIWX**
Battery: (not included) 20V 2Ah - 4Ah Li-ion
Drive: 1/2" Sq Drive
Impact rate: 0-3780bpm
No load Speed: 2700rpm
Maximum Torque: 300Nm
Noise power..... 80dB(A)
Noise pressure..... 69dB
Vibration..... 3.051m/s²
Uncertainty..... 1.5m/s²
Battery Model No's
 2Ah (not included) **CP20VBP2**
 3Ah (not included) **CP20VBP3**
 4Ah (not included) **CP20VBP4**
Mains Charger Model No (not included) **CP20VMC**



4. OPERATION

- 4.1. Fit the socket to the wrench by snapping it onto the square drive.
NOTE: Use only impact grade sockets.
- 4.2. Fit the battery pack to the wrench by aligning the tongue on the battery with the groove in the housing and slide into place. Ensure that the battery pack is firmly located, a click will be heard when it has locked into position.
- 4.3. Select the required direction of rotation. To change direction, turn the direction control (fig.1) to the left or right. **DO NOT** attempt to change the direction of rotation whilst trigger is depressed.
- 4.4. Speed can be controlled by varying the finger pressure on the trigger. Initial pressure will switch on the work light.
IMPORTANT: When tightening, take care not to over-torque small fixings.
NOTE: On critical fixings always check the torque with a torque wrench according to the product or vehicle manufacturer's guidelines.

5. MAINTENANCE

- WARNING:** Always disconnect the battery before carrying out any inspection, maintenance or cleaning.
- 5.1. **GENERAL INSPECTION**
- 5.1.1. Regularly check that all the fixing screws are tight. Repairs should be carried out by an authorised service centre.
- 5.2. **CLEANING**
- WARNING:** Always wear protective equipment including eye protection and gloves when cleaning this tool.
- 5.2.1. Keep your tool clean at all times. Dirt and dust will cause internal parts to wear quickly, and shorten the device's service life.
- 5.2.2. Clean the body of your machine with a soft brush, or dry cloth.
- 5.2.3. Never use caustic agents to clean plastic parts. If dry cleaning is not sufficient, a mild detergent on a damp cloth is recommended.
- 5.2.4. Water must never come into contact with the tool. Ensure the tool is thoroughly dry before using it.
- 5.2.5. If available, use clean, dry, compressed air to blow through the ventilation holes (where applicable).
- 5.3. **LUBRICATION**
- 5.3.1. Slightly lubricate all moving parts at regular intervals with a suitable spray lubricant.
- 5.4. **STORAGE**
- 5.4.1. Store this tool carefully in a secure, dry place out of the reach of children.



WARNING! – Risk of Hand Arm Vibration Injury.

This tool may cause Hand Arm Vibration Syndrome if its use is not managed adequately.

This tool is subject to the vibration testing section of the Machinery Directive 2006/42/EC.

This tool is to be operated in accordance with these instructions.

Measured vibration emission value (a): **3.051 m/s²**

Uncertainty value (k): **1.5m/s²**

Please note that the application of the tool to a sole specialist task may produce a different average vibration emission. We recommend that a specific evaluation of the vibration emission is conducted prior to commencing with a specialist task.

A health and safety assessment by the user (or employer) will need to be carried out to determine the suitable duration of use for each tool.

NB: Stated Vibration Emission values are type-test values and are intended to be typical.

Whilst in use, the actual value will vary considerably from and depend on many factors.

Such factors include; the operator, the task and the inserted tool or consumable.

NB: ensure that the length of leader hoses is sufficient to allow unrestricted use, as this also helps to reduce vibration.

The state of maintenance of the tool itself is also an important factor, a poorly maintained tool will also increase the risk of Hand Arm Vibration Syndrome.

Health surveillance.

We recommend a programme of health surveillance to detect early symptoms of vibration injury so that management procedures can be modified accordingly.

Personal protective equipment.

We are not aware of any personal protective equipment (PPE) that provides protection against vibration injury that may result from the uncontrolled use of this tool. We recommend a sufficient supply of clothing (including gloves) to enable the operator to remain warm and dry and maintain good blood circulation in fingers etc. Please note that the most effective protection is prevention, please refer to the Correct Use and Maintenance section in these instructions. Guidance relating to the management of hand arm vibration can be found on the HSE website www.hse.gov.uk - Hand-Arm Vibration at Work.



ENVIRONMENT PROTECTION

Recycle unwanted materials instead of disposing of them as waste. All tools, accessories and packaging should be sorted, taken to a recycling centre and disposed of in a manner which is compatible with the environment. When the product becomes completely unserviceable and requires disposal, drain any fluids (if applicable) into approved containers and dispose of the product and fluids according to local regulations.



WEEE REGULATIONS

Dispose of this product at the end of its working life in compliance with the EU Directive on Waste Electrical and Electronic Equipment (WEEE). When the product is no longer required, it must be disposed of in an environmentally protective way. Contact your local solid waste authority for recycling information.

Note: It is our policy to continually improve products and as such we reserve the right to alter data, specifications and component parts without prior notice.

Important: No Liability is accepted for incorrect use of this product.

Warranty: Guarantee is 36 months labour and two years parts warranty from purchase date, proof of which is required for any claim.

Sealey Group, Kempson Way, Suffolk Business Park, Bury St Edmunds, Suffolk. IP32 7AR



01284 757500



01284 703534



sales@sealey.co.uk



www.sealey.co.uk



EC DECLARATION OF CONFORMITY

Description and Function: **Brushless Impact Wrench 20V 1/2" Sq Drive 300Nm - Body Only**

Model/Type: **CP20VIWX v1**

Manufacturing Date/Serial Number where applicable:

2014/30/EU EMC Directive

2006/42/EC Machinery Directive

2011/65/EU RoHS Directive

This declaration of conformity is issued under the sole responsibility of the manufacturer:

Jack Sealey Ltd, Kempson Way, Suffolk Business Park, Bury St Edmunds, Suffolk. IP32 7AR

Declaration of Conformity in accordance with the above Directive(s).

References to harmonised standard(s)

EN 55014-1:2017

EN 55014-2:2015

EN 60745-1:2009

EN 60745-2-2:2010

.....

.....

.....

Technical file compiled by: **Jack Sealey Ltd**

Being the responsible person appointed by the manufacturer.

Signed *Steve Buckle*

Date 6 June 2019

Name Steve Buckle.

Position Marketing Director.

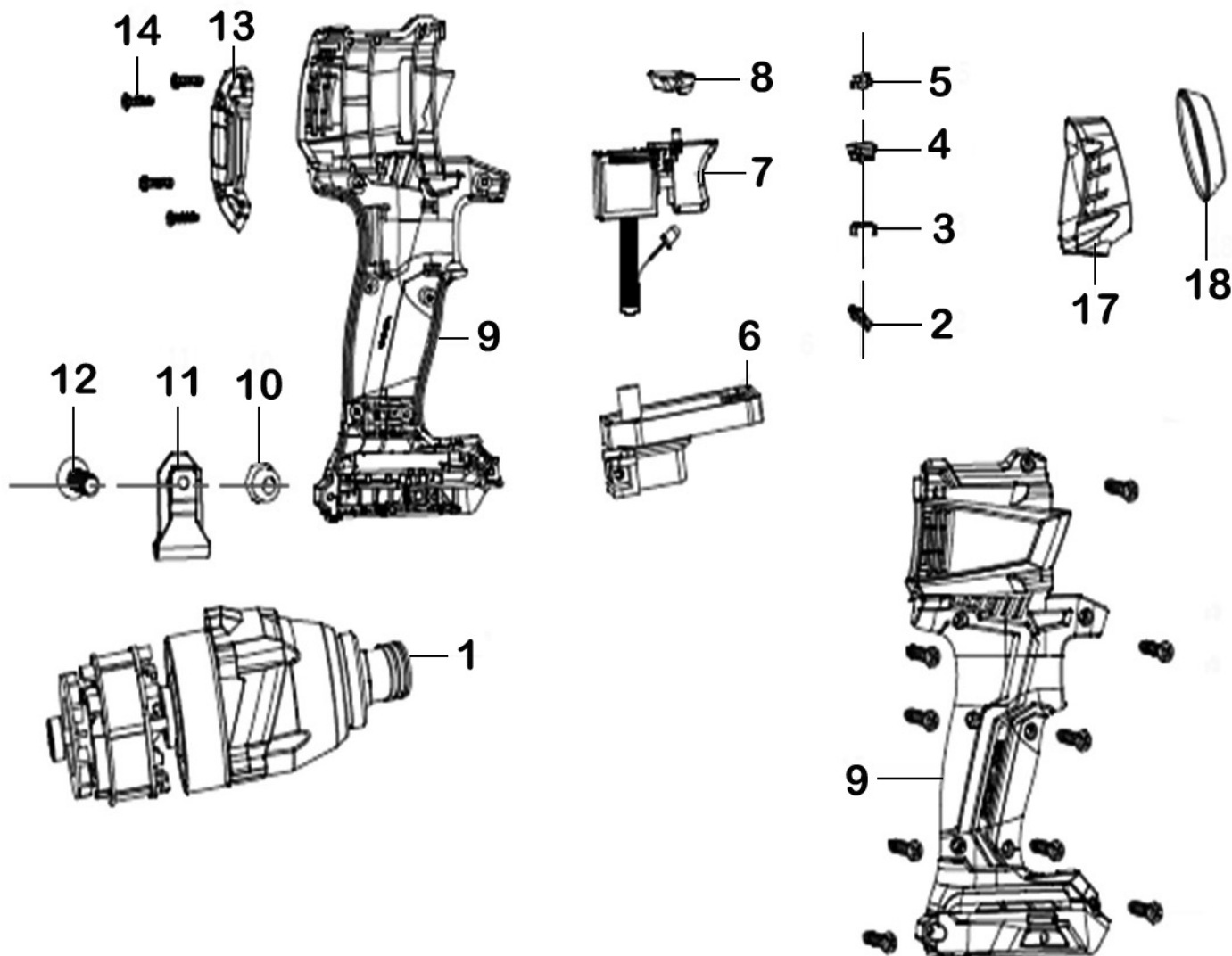
Place: Bury St Edmunds

Sealey Group, Kempson Way, Suffolk Business Park, Bury St Edmunds, Suffolk. IP32 7AR

01284 757500
 01284 703534
 sales@sealey.co.uk
 www.sealey.co.uk



Parts Information:
**Brushless Impact Wrench 20V 1/2" Sq Drive
 300Nm - Body Only
 Model No: CP20VIWX**



Item	Part No.	Description
1	CP20VIWX.01	Gearbox
2	CP20VIDX.02	LED Cover
3	CP20VIDX.03	Isolation Plate
4	CP20VIDX.04	Cover
5	CP20VIDX.05	Adjustment Button
6	CP20VIDX.06	Battery Connection Plate
7	CP20VIDX.07	Variable Speed Control Switch
8	CP20VIDX.08	Forward/Reverse Rod

Item	Part No.	Description
9	CP20VIDX.09	Casing Complete
10	NLN4.S	Nyloc Nut M4 Zinc
11	CP20VIDX.11	Belt Hook
12	MSP410.S	Machine Screw Pan Head Phillips M4 X 10mm
13	CP20VIDX.13	Rear Cover
14	DAS150TV4-42	Rd Head S/T Screw M4 X 14 Black
17	CP20VIDX.17	Protection Cover
18	CP20VIDX.18	Rubber Protection Ring

NOTE: It is our policy to continually improve products and as such we reserve the right to alter data, specifications and component parts without prior notice. There may be alternative versions of this product, please contact us should you require this information.

IMPORTANT: No liability is accepted for incorrect use of product. Spare parts must be fitted by a competent person

WARRANTY: Guarantee is 12 months from purchase date, proof of which will be required for any claim.

Sealey Group, Kempson Way, Suffolk Business Park, Bury St Edmunds, Suffolk. IP32 7AR



01284 757500



01284 703534



sales@sealey.co.uk



www.sealey.co.uk