



20V Ø13MM BRUSHLESS HAMMER DRILL/ DRIVER - BODY ONLY

MODEL NO: **CP20VDDX**

Thank you for purchasing a Sealey product. Manufactured to a high standard, this product will, if used according to these instructions, and properly maintained, give you years of trouble free performance.

IMPORTANT: PLEASE READ THESE INSTRUCTIONS CAREFULLY. NOTE THE SAFE OPERATIONAL REQUIREMENTS, WARNINGS & CAUTIONS. USE THE PRODUCT CORRECTLY AND WITH CARE FOR THE PURPOSE FOR WHICH IT IS INTENDED. FAILURE TO DO SO MAY CAUSE DAMAGE AND/OR PERSONAL INJURY AND WILL INVALIDATE THE WARRANTY. KEEP THESE INSTRUCTIONS SAFE FOR FUTURE USE.



Refer to instructions



Wear eye protection



Wear protective gloves



Wear ear protection



Wear a mask

1. SAFETY

1.1. GENERAL SAFETY

- ✓ Disconnect the drill from the battery unit before changing accessories, servicing or performing any maintenance.
- ✓ Maintain the drill and battery in good condition. Check moving parts alignment on a regular basis.
- ✓ Replace or repair damaged parts. Use an authorised service agent and recommended parts only. Unauthorised parts may be dangerous and will invalidate the warranty.
- ✓ Ensure the drill is switched off before installing the battery pack.
- ✓ Keep the drill and charger clean for best and safest performance.
- ✓ Remove ill fitting clothing. Remove ties, watches, rings and other loose jewellery and contain long hair.
- ✓ Evaluate your working area before using the drill e.g. ceilings, floors and enclosures may contain electrical items or water piping.
- ✓ Ensure battery pack is correctly inserted into the drill handle and latched in place before attempting to switch on drill.
- ✓ Secure loose work pieces with a clamp, vice or other adequate holding device.
- ✓ Avoid unintentional starting.
- ✓ Wear approved safety eye protection (standard spectacles are not adequate).
- ✓ Maintain correct balance and footing. Ensure the floor is not slippery and wear non-skid shoes.
- ✓ Keep chuck direction switch in the locked position until the drill is required for use.
- ✓ Keep children and unauthorised persons away from the working area.
- ✓ Keep drill and charger in the case and store in a safe, dry, childproof area where the temperature will not exceed 104°F (40°C).
- ✗ **DO NOT** use the drill where there are flammable liquids, solids or gases, such as paint solvents, etc.
- ✗ **DO NOT** allow children to operate the drill.
- ✗ **DO NOT** operate the drill if any parts are missing as this may cause failure and/or personal injury.
- ✗ **DO NOT** hold unsecured work piece in your hand.
- ✗ **DO NOT** leave the drill operating unattended.
- ✗ **DO NOT** carry the drill with your finger on the power switch. Keep chuck direction switch in the locked position.
- ✗ **DO NOT** use the drill for a task it is not designed to perform.
- ✗ **DO NOT** operate the drill when you are tired or under the influence of alcohol, drugs or intoxicating medication.
- ✗ **DO NOT** get the drill or battery charger wet or use in damp or wet locations.

2. INTRODUCTION

Powerful, lightweight cordless drill/driver with hammer function. Brushless motor, which gives an improved performance and requires less maintenance than the brushed equivalent, giving you a more efficient, longer lasting tool. Durable composite housing with soft grip for added comfort. Ø2-13mm Keyless chuck. Three drill functions and 21 torque settings provide the control required to complete various tasks. Built-in LED work light. Forward, reverse and trigger-lock. Supplied with belt hook for safer storage whilst not in use. Requires compatible 20V battery and mains charger, sold separately.

3. SPECIFICATION

Model No.....**CP20VDDX**
 Battery: 20V 2Ah - 6Ah Lithium-ion (not included)
 Chuck Size:.....Ø13mm
 Consumable parts:
 CP20VBP2 - 2Ah Battery
 CP20VBP4 - 4Ah Battery
 CP20VBP6 - 6Ah Battery
 Replacement parts:
 CP20VMC mains charger (not included)
 Impact rate:..... 0-30000bpm
 No load Speed: 2000rpm
 Maximum Torque: 65Nm
 Noise power/pressure: 87dB(A)/75dB(A)
 Vibration/uncertainty: 3.54/1.5m/s²



4. OPERATION

- ❑ **WARNING:** Remove battery before fitting tool or maintenance is carried out.
- 4.1. To remove the battery from the equipment, depress the spring loaded button on the battery pack. Remove the battery pack by sliding out. **DO NOT** touch the metal battery terminals.
- 4.2. **USING THE DRILL (fig.1)**

Ensure that you have read, understood and comply with all the safety instructions in Section 1.

 - 4.2.1. Ensure the direction switch is in the mid (lock) position. Open the chuck and insert the required drill or screwdriver bit.
 - 4.2.2. Select high or low speed by using the selector on top of the casing (high speed for drilling, low for hammer or screw driving).
 - 4.2.3. Select the direction of rotation by means of the forward/reverse selector.
 - 4.2.4. Select hammer, screw or drill by turning the selector ring.
 - 4.2.5. If driving screws, set the required torque by means of the torque selector ring. Setting value 1 is the lowest torque setting.
 - 4.2.6. The LED worklight is lit whenever the trigger is depressed.
 - 4.2.8. When finished, remove the bit, clean the drill and bit and replace the drill in its case.
 - 4.2.9. Store in a cool, dry place out of the reach of children.

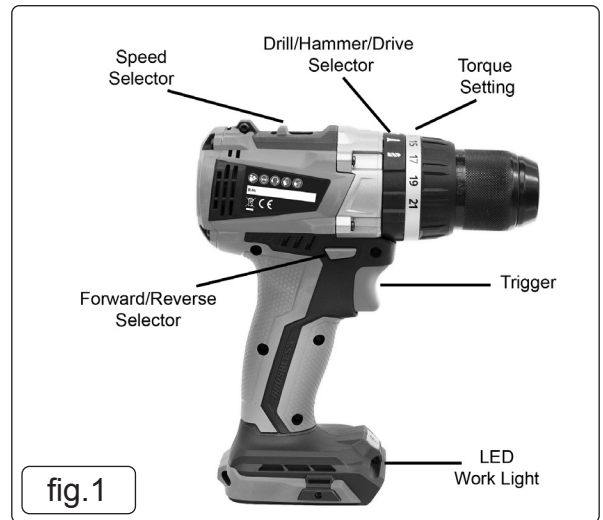


fig.1

5. MAINTENANCE

- ❑ **WARNING:** Always disconnect the battery before carrying out any inspection, maintenance or cleaning.
- 5.1. **GENERAL INSPECTION**
 - 5.1.1. Regularly check that all the fixing screws are tight. Repairs should be carried out by an authorised service centre.
- 5.2. **CLEANING**
 - ❑ **WARNING!** Always wear protective equipment including eye protection and gloves when cleaning this tool.
 - 5.2.1. Keep your tool clean at all times. Dirt and dust will cause internal parts to wear quickly, and shorten the device's service life.
 - 5.2.2. Clean the body of your machine with a soft brush, or dry cloth.
 - 5.2.3. Never use caustic agents to clean plastic parts. If dry cleaning is not sufficient, a mild detergent on a damp cloth is recommended.
 - 5.2.4. Water must never come into contact with the tool. Ensure the tool is thoroughly dry before using it.
 - 5.2.5. If available, use clean, dry, compressed air to blow through the ventilation holes (where applicable).
- 5.3. **LUBRICATION**
 - 5.3.1. Slightly lubricate all moving parts at regular intervals with a suitable spray lubricant.
- 5.4. **STORAGE**
 - 5.4.1. Store this tool carefully in a secure, dry place out of the reach of children.
- ❑ **WARNING! – Risk of Hand Arm Vibration Injury**

This tool may cause Hand Arm Vibration Syndrome if its use is not managed adequately.

This tool is subject to the vibration testing section of the Machinery Directive 2006/42/EC.
This tool is to be operated in accordance with these instructions.

Measured vibration emission value (a): 3.54 m/s²
Uncertainty value (k): 1.5 m/s²

Please note that the application of the tool to a sole specialist task may produce a different average vibration emission. We recommend that a specific evaluation of the vibration emission is conducted prior to commencing with a specialist task.

A health and safety assessment by the user (or employer) will need to be carried out to determine the suitable duration of use for each tool.

NB: Stated Vibration Emission values are type-test values and are intended to be typical.
Whilst in use, the actual value will vary considerably from and depend on many factors.
Such factors include; the operator, the task and the inserted tool or consumable.

NB: ensure that the length of leader hoses is sufficient to allow unrestricted use, as this also helps to reduce vibration.
The state of maintenance of the tool itself is also an important factor, a poorly maintained tool will also increase the risk of Hand Arm Vibration Syndrome.

Health surveillance.
We recommend a programme of health surveillance to detect early symptoms of vibration injury so that management procedures can be modified accordingly.

Personal protective equipment.
We are not aware of any personal protective equipment (PPE) that provides protection against vibration injury that may result from the uncontrolled use of this tool. We recommend a sufficient supply of clothing (including gloves) to enable the operator to remain warm and dry and maintain good blood circulation in fingers etc. Please note that the most effective protection is prevention, please refer to the Correct Use and Maintenance section in these instructions. Guidance relating to the management of hand arm vibration can be found on the HSE website www.hse.gov.uk - Hand-Arm Vibration at Work.



ENVIRONMENT PROTECTION

Recycle unwanted materials instead of disposing of them as waste. All tools, accessories and packaging should be sorted, taken to a recycling centre and disposed of in a manner which is compatible with the environment. When the product becomes completely unserviceable and requires disposal, drain any fluids (if applicable) into approved containers and dispose of the product and fluids according to local regulations.



WEEE REGULATIONS

Dispose of this product at the end of its working life in compliance with the EU Directive on Waste Electrical and Electronic Equipment (WEEE). When the product is no longer required, it must be disposed of in an environmentally protective way. Contact your local solid waste authority for recycling information.

Note: It is our policy to continually improve products and as such we reserve the right to alter data, specifications and component parts without prior notice.

Important: No Liability is accepted for incorrect use of this product.

Warranty: Guarantee is 36 months labour and two years parts warranty from purchase date, proof of which is required for any claim.

Sealey Group, Kempson Way, Suffolk Business Park, Bury St Edmunds, Suffolk. IP32 7AR



01284 757500



01284 703534



sales@sealey.co.uk



www.sealey.co.uk