

Thank you for purchasing a Sealey product. Manufactured to a high standard this article will, if used according to these instructions and properly maintained, give you years of trouble free performance.



**IMPORTANT: PLEASE READ THESE INSTRUCTIONS CAREFULLY. NOTE THE SAFE OPERATIONAL REQUIREMENTS, WARNINGS AND CAUTIONS. USE THIS PRODUCT CORRECTLY AND WITH CARE FOR THE PURPOSE FOR WHICH IT IS INTENDED. FAILURE TO DO SO MAY CAUSE DAMAGE AND/OR PERSONAL INJURY AND WILL INVALIDATE THE WARRANTY. PLEASE KEEP INSTRUCTIONS SAFE FOR FUTURE USE.**

## 1. SAFETY INSTRUCTIONS

### 1.1. GENERAL SAFETY

- ✓ Follow all workshop safety rules, regulations and conditions when using the wrench.
- ✓ Remove the battery pack from the wrench before servicing or performing any maintenance.
- ✓ Maintain the wrench and battery pack in good condition. Check moving parts for alignment on a regular basis.
- ✓ Replace or repair damaged parts. *Use an authorised service agent and recommended parts only. Unauthorised parts may be dangerous and will invalidate the warranty.*
- ✓ Ensure the wrench is in 'neutral' before installing the battery pack.
- ✓ Keep the wrench, battery pack and charger clean for optimum performance.
- ✓ Keep the work area clean and tidy and free from unrelated materials. Ensure that there is adequate lighting.
- ✓ Ensure that battery pack is correctly inserted into the wrench handle and latched in place before operating wrench.
- WARNING!** When working around vehicle brake systems we recommend that you wear suitable respiratory protection due to the possible presence of asbestos dust from brake linings.
- ✓ Use only impact sockets which are specifically designed for use with an impact wrench.
- ✓ Avoid unintentional starting.
- ✓ Wear approved safety eye/face shield, ear defenders and hand protection.
- ✓ Remove ill-fitting clothing. Remove ties, watches, rings and other loose jewellery and contain long hair.
- ✓ Maintain correct balance and footing. Ensure the floor is not slippery and wear non-slip shoes.
- ✓ Keep children and unauthorised persons away from the work area.
- x DO NOT operate the wrench if any parts are missing as this may cause failure and/or personal injury.
- x DO NOT use the wrench unless you have been instructed in its use by a qualified person.
- x DO NOT operate the wrench where there are solvent fumes or flammable gases, liquids or solids.
- x DO NOT leave the wrench operating unattended.
- x DO NOT carry wrench with your finger on the trigger. Keep direction switch in 'trigger locked' mid-position when not in use.
- x DO NOT use the wrench for a task it is not designed to perform.
- x DO NOT operate the wrench when you are tired or under the influence of alcohol, drugs or intoxicating medication.
- x DO NOT get the wrench or battery charger wet or use in damp or wet locations.
- ✓ Keep wrench and charger in the case and store in a safe, dry, childproof area where the temperature will not exceed 104°F (40°C).



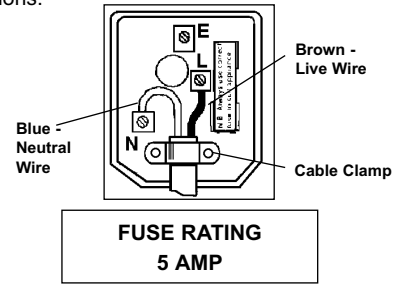
### 1.2. BATTERY SAFETY INSTRUCTIONS

- WARNING!** *The battery pack contains nickel-cadmium which is dangerous. It must therefore be handled with care.*
- ✓ Charge the battery pack prior to first use. The battery pack will have been shipped in a low charge state.
- ✓ Use only the charger provided to charge the battery pack.
- x DO NOT charge the battery pack when room temperature is below 50°F (10°C) or above 95°F (35°C).
- x DO NOT attempt recharging the pack by means of an engine generator or a DC power source.
- x DO NOT short-circuit the battery pack by touching both terminals at the same time with a metal object, or your fingers etc.
- x DO NOT store battery pack (or wrench) in locations where the temperature may exceed 104°F (40°C) e.g. in outside sheds, above heaters etc.
- WARNING!** *Dispose of spent battery pack correctly as it contains nickel-cadmium. ▲ DANGER! DO NOT attempt to disassemble the battery pack. For safety and environmental reasons DO NOT discard in domestic waste or by burning. ONLY discard or recycle according to local authority regulations.*
- WARNING!** *DO NOT allow a leaking battery to contact your person. If you come into contact with battery liquid take the following immediate action:*
  - a) **Skin contact:** *Wash immediately with soap and water, then wash in either lemon juice or vinegar.*
  - b) **Eye contact:** *Wash with a strong solution of boric acid and seek immediate medical attention.*

### 1.3. MAINS POWER ELECTRICAL SAFETY (In relation to the battery charger)

- WARNING!** *It is the user's responsibility to check the following:*
  - You must** check all electrical equipment and appliances to ensure that they are safe before using. **You must** inspect power supply leads, plugs and all electrical connections for wear and damage. **You must** ensure the risk of electric shock is minimised by the installation of appropriate safety devices. An RCCB (Residual Current Circuit Breaker) should be incorporated in the main distribution board. We recommend that an RCD (Residual Current Device) is used with all electrical products. It is particularly important to use an RCD with portable products that are plugged into a supply not protected by an RCCB. If in doubt consult a qualified electrician. You may obtain an RCD by contacting your local Sealey dealer. **You must** also read and understand the following instructions concerning electrical safety.
- 1.3.1. The **Electricity At Work Act 1989** requires all portable electrical appliances, if used on business premises, to be tested by a qualified person, using a Portable Appliance Tester (PAT), at least once a year.
- 1.3.2. The **Health & Safety at Work Act 1974** makes owners of electrical appliances responsible for the safe condition of the appliance and the safety of the appliance operator. **If in any doubt about electrical safety, contact a qualified electrician.**
- 1.3.3. DO ensure that the insulation on all cables and the product itself is safe before connecting to the mains power supply. See 1.3.1. above and use a Portable Appliance Tester (PAT).
- 1.3.4. DO ensure that cables are always protected against short circuit and overload.

- 1.3.5. DO regularly inspect power supply leads, plugs and sockets for wear, damage or loose connections.
- 1.3.6. DO check that the voltage marked on the product is the same as the power supply to be used and check the plug is fitted with the correct capacity fuse (see right).
- 1.3.7. DO NOT pull or carry the appliance by the cables.
- 1.3.8. DO NOT pull the plug from the socket by the cable.
- 1.3.9. DO NOT use worn or damage leads, plugs or connections. Immediately replace, or have repaired, by qualified electrician. A U.K. 3 pin plug with ASTA/BS approval is fitted. In case of damage, cut off and fit a new plug according to the following instructions (UK only - see diagram right).

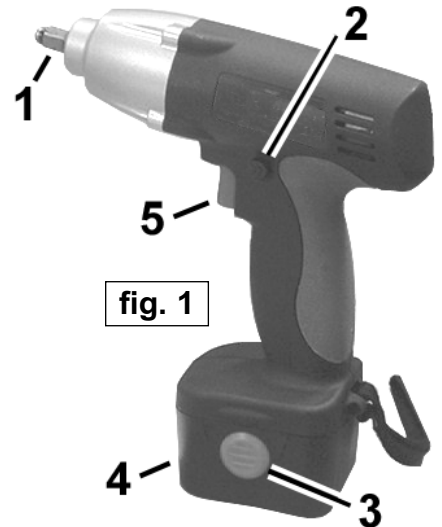


Ensure that the double insulated charger is correctly connected via a three-pin plug, as follows:

- a) Connect the Brown live wire to live terminal 'L'.
- b) Connect the Blue neutral wire to the neutral terminal 'N'.
- c) After wiring, check that there are no bare wires, that all wires have been correctly connected, that the cable outer insulation extends past the cable clamp and that the clamp is tight. **Note that the earth pin remains unconnected.**

**1.4. BATTERY CHARGER SAFETY INSTRUCTIONS**

- ❑ **WARNING! DO NOT attempt to charge any battery other than that supplied for the wrench. Other types of batteries may explode!**
- ✓ All mains electrical supply safety features must be followed as described in 1.3. above.
- ✓ Disconnect the charger from the mains supply when not in use.
- x DO NOT charge battery if room temperature is below 41°F (5°C) or above 104°F (40°C)
- x DO NOT expose the charger to damp or wet conditions.
- x DO NOT pull or carry the charger by the power lead.
- x DO NOT operate the charger if it has been dropped, or has received a sharp knock, or is damaged. Take the charger to an authorised agent for repair or obtain a replacement.
- x DO NOT dismantle the charger as this may cause damage and/or personal injury and will invalidate the warranty.
- x DO NOT insert foreign objects or material into the hole reserved for the battery pack.
- x DO NOT recharge a second battery pack immediately after charging the first. Consecutive charging will overheat the charger. Allow the unit to cool for 15 minutes before charging the next pack.
- x DO NOT attempt to connect two chargers together.
- ✓ Store the charger in the same manner as the battery pack in 1.2.



**2. INTRODUCTION & SPECIFICATION**

Powerful and compact cordless impact wrench fitted with electronic variable speed control. The forward and reverse controls are integrated into the housing for ease of use. Powerful but balanced for workshop applications. Includes 12 volt Ni-Cad battery pack, 1 hour mains charger and 3/8"-1/2" drive adaptor.

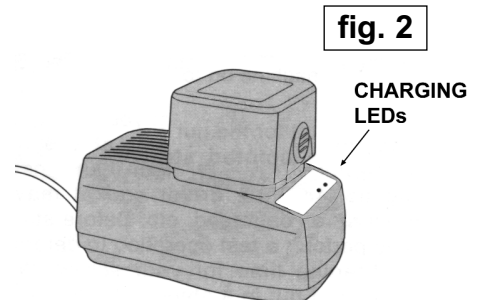
No-Load Speed	.....0-2300rpm
Impact Rate	.....0-3000bmp
Maximum Torque	.....98ft.lb / 1355kg.cm
Weight	.....1.8kg
Battery Pack	...12V 2Ah (Part No. CP1211BP)

**3. OPERATING INSTRUCTIONS**

**Note:** When new, the battery pack will have been shipped in a low charge state. It will take longer to charge initially, and several subsequent charges may also take a little longer than when the battery pack reaches its optimum performance. Remove battery pack from case and charge as below:

**3.1. CHARGING THE BATTERY PACK**

- 3.1.1. To remove the battery pack (fig. 1.4) from wrench, depress the two side release clips (3). ❑ **WARNING! Do not touch metal terminals.**
- 3.1.2. Place wrench in carry case and remove the battery charger.
- 3.1.3. The battery pack and charger have the positive (+) and negative (-) terminals marked. Align the correct terminals and insert the battery into the charger (fig. 2).  
*Note: The battery pack is so designed that it will only enter the charger unit the correct way.*  
When placed in the charger, a very slight downward pressure will seat the pack firmly into the terminals.  
The red LED (fig. 2) will light to indicate fast charging.
- 3.1.4. When the fast charge is complete the red LED will go out and the green LED will light to indicate trickle charging. The battery pack is now ready for use.  
**NOTE:** The charge time is approximately 1 hour.
- 3.1.5. After removing the battery, disconnect the charger from the mains supply and store in the carry case.



☐ **WARNING! Ensure you read, understand and apply safety instructions before use.**

### 3.2. USING THE WRENCH

- 3.2.1. Use only impact sockets which are specifically designed for use with an impact wrench. The use of normal chrome vanadium sockets is dangerous since these are more brittle and are liable to shatter.
- 3.2.2. Fit the socket to the wrench by snapping it onto the square drive (fig 1.1). Note that there is a 3/8"-1/2" drive adaptor supplied, enabling both 3/8" and 1/2" drive sockets to be used.
- 3.2.3. Fit the battery pack to the wrench.
- 3.2.4. Select the required direction of rotation. To change direction, push switch (fig. 1.2) to the left or right. Familiarise yourself with this operation before use. **DO NOT** attempt to change the direction of rotation whilst operating trigger is depressed. Use the same switch to lock off the trigger by placing the switch in the middle position.
- 3.2.5. Place the socket over the nut/bolt and depress the trigger (fig. 1.5) to operate the wrench. The speed of the wrench is controlled by the trigger. Squeeze the trigger gently for a slow speed and progressively increase the pressure to produce correspondingly higher speeds (try before using the wrench).
- 3.2.6. When tightening, release the trigger as soon as the impact sound is heard.

**Note:** On critical fixings always check the torque with a torque wrench according to the vehicle manufacturer's, or product, guidelines.

## 4. MAINTENANCE

### 4.1. CLEANING

Keep the outer case of the wrench clean and free from grease. **DO NOT** wash with water or use solvents or abrasives. For any other service or maintenance, contact your authorised service agent.

## 5. DECLARATION OF CONFORMITY

**Declaration of Conformity** We, the sole importer into the UK, declare that the products listed below are in conformity with the following standards and directives.

**Cordless Impact Wrench  
Model CP1211**

**Battery Charger  
Model CP1211/C**

73/23/EEC LV Directive  
89/336/EEC EMC Directive



The construction files for these products are held by the Manufacturer and may be inspected, by a national authority, upon request to Jack Sealey Ltd.

Signed by Mark Sweetman

28th September 2001

*For Jack Sealey Ltd. Sole importer into the UK of Sealey Power Tools.*

**NOTE:** It is our policy to continually improve products and as such we reserve the right to alter data, specifications and component parts without prior notice.

**IMPORTANT:** No liability is accepted for the incorrect use of this product.

**WARRANTY:** Guarantee is 12 months from purchase date, proof of which will be required for any claim.

**INFORMATION:** For a copy of our latest catalogue and promotions call us on 01284 757525 and leave your full name, address and postcode.



**Sole UK Distributor,  
Sealey Group, Bury St. Edmunds, Suffolk.**

01284 757500

01284 703534

**E-mail:** [sales@sealey.co.uk](mailto:sales@sealey.co.uk)