



CEMENT MIXER 125L

MODEL NO: **CMX125**

Thank you for purchasing a Sealey product. Manufactured to a high standard, this product will, if used according to these instructions, and properly maintained, give you years of trouble free performance.

IMPORTANT: PLEASE READ THESE INSTRUCTIONS CAREFULLY. NOTE THE SAFE OPERATIONAL REQUIREMENTS, WARNINGS & CAUTIONS. USE THE PRODUCT CORRECTLY AND WITH CARE FOR THE PURPOSE FOR WHICH IT IS INTENDED. FAILURE TO DO SO MAY CAUSE DAMAGE AND/OR PERSONAL INJURY AND WILL INVALIDATE THE WARRANTY. KEEP THESE INSTRUCTIONS SAFE FOR FUTURE USE.



1. SAFETY

1.1. ELECTRICAL SAFETY

- WARNING!** It is the user's responsibility to check the following:
 - Check all electrical equipment and appliances to ensure that they are safe before using.
 - Inspect power supply leads, plugs and all electrical connections for wear and damage.
 - Ensure that the insulation on all cables and on the appliance is safe before connecting it to the power supply.
- DO NOT** use worn or damaged cables, plugs or connectors.
- Ensure that any faulty item is repaired or is replaced immediately by a qualified electrician.
- If the cable or plug is damaged during use, switch off the electricity supply and remove from use.
- Ensure that repairs are carried out by a qualified electrician.**
- Sealey recommend that an RCD (Residual Current Device) is used with all electrical products.
- Important:** Ensure that the voltage rating on the appliance suits the power supply to be used and that the plug is fitted with the correct fuse.
- DO NOT** pull or carry the appliance by the power cable.
- DO NOT** pull the plug from the socket by the cable.
- 1.1.1. Avoid Electric Shock:
 - Check that the electric circuit is adequately protected and that it corresponds with the power, voltage and frequency of the motor.
 - DO NOT** plug or unplug the motor while standing in or around damp or wet ground. **DO NOT** use the mixer in wet or damp areas or expose it to rain.
 - Prevent body contact with grounded surfaces: pipes, radiators, ranges, and refrigerator enclosures.
 - After installation, the degree of protection of the BSI approved plug and socket combination shall be IP44D at least.
 - Extension cords must be no longer than 50 meters in length. The wire section must be 1.5mm² on 230V to allow sufficient current flow to the motor. Improper use of extension cords may cause inefficient operation of the mixer which can result in overheating and motor damage.
- 1.2. **GENERAL SAFETY**
 - Trained users only to use this product.
- 1.2.1. **UNDERSTAND THE PRODUCT:**
 - Read and understand the owner's manual and labels affixed to the mixer.
 - Learn its application and limitations as well as the specific potential hazards peculiar to it.
 - Become familiar with the controls before operating this mixer.
- 1.2.2. **STAY ALERT:**
 - DO NOT** operate the mixer while under the influence of drugs, alcohol, medication that could affect your ability to use it properly.

- ✗ **DO NOT** use this mixer when you are tired or distracted from the job at hand. Watch what you are doing at all times. Use common sense.
- 1.2.3. **AVOID DANGEROUS SITUATIONS:**
- ✓ Make sure there is adequate surrounding workspace.
 - ✓ Keep your work area clean and well lit. Cluttered areas invite injuries. Keep area around the mixer clear of obstructions, grease, oil, trash and other debris which could cause persons to fall onto moving parts.
 - ✓ Only use or operate the mixer on solid, flat, level ground that is capable to support the weight of the mixer and its load to prevent the mixer from tipping over.
 - ✗ **DO NOT** attempt to move the mixer when it is loaded and/or in operation.
 - ✓ This mixer is intended for the production of concrete, mortar and plaster. It is not suitable for the mixing of flammable or explosive substances.
 - ✗ **DO NOT** use it in areas where fumes from paint, solvents or flammable liquids pose a potential hazard.
- 1.2.4. **INSPECT YOUR MIXER:**
- ✗ Check your mixer before turning it on. Keep guards in place and in working order. **DO NOT** plug into mains supply with motor cover open.
 - ✓ Check all bolts, nuts, and screws for tightness before each use, especially those securing guards and drive mechanisms. Vibration during mixing may cause these to loosen.
 - ✓ Form a habit of checking to see that all tools, shovels, hand trowels and other tools/equipments are removed from mixer area before turning it on.
 - ✓ Replace damaged, missing or failed parts before using it.
 - ✓ Warning labels carry important information. Replace any missing or damaged warning labels.
- 1.2.5. **DRESS PROPERLY:**
- ✗ **DO NOT** wear loose clothing, gloves, neck ties or jewellery (rings, wrist watches). They can be caught in moving parts.
 - ✓ Protective electrically non-conductive gloves and non-skid footwear are recommended when working. Wear protective hair covering to contain long hair, preventing it from getting caught in machinery.
 - ✓ Wear a face or dust mask if the operation is dusty. Be aware of the safety advice for working with cement. Refer to manufacturer's advice on the product, that is being used.
 - ✓ Always wear safety goggles and/or face shields. Everyday eyeglasses have only impact resistant lenses. They are not safety glasses.
- 1.2.6. Keep people away:
- ✓ Keep unauthorized persons away from the mixer.
 - ✗ **DO NOT** allow children to handle or climb on or in the mixer.
- 1.2.7. **DO NOT OVERREACH:**
- ✓ Keep proper footing and balance at all times when loading or unloading the mixer.
 - ✗ Never stand on mixer. Serious injury could occur if the mixer is tipped or if the moving parts are unintentionally contacted.
 - ✗ **DO NOT** store anything above or near the mixer where anyone might stand on the mixer to reach them.
- 1.2.8. **AVOID INJURY FROM UNEXPECTED ACCIDENTS:**
- ✓ Keep hands out of the way of all moving parts. **DO NOT** place any part of your body or any tool, like shovel in the drum during operation. When operating, **DO NOT** pass hands through the clearance between frame and support leg or the one between the drum and support leg.
- 1.2.9. **DO NOT FORCE TOOL:**
- ✓ It will do a better and safer job at its designed rate. Always work within the rated capacity.
 - ✗ **DO NOT** start the motor if the drum is fully loaded. **DO NOT** turn mixer off while full of concrete.
 - ✗ **DO NOT** use the mixer for a purpose for which it was not intended.
 - ✗ The mixer is not to be towed by any vehicle.
- 1.2.10. **NEVER LEAVE MIXER RUNNING UNATTENDED:**
- ✗ **DO NOT** leave mixer until it has come to a complete stop.
- 1.2.11. **DISCONNECT POWER:**
- ✗ Never open the motor cover before unplugging the mixer.
 - ✓ Disconnect from power supply when not in use, before moving, making adjustments, changing parts, cleaning, or working on the mixer.
 - ✓ Consult technical manual before servicing.
- 1.2.12. **MAINTAIN YOUR MIXER WITH CARE:**
- ✓ Clean the mixer immediately after use. Keep the mixer clean for best and safest performance.
 - ✓ When maintaining this mixer, only the manufacturer's original replacement parts may be used.
- 1.2.13. **PROTECT THE ENVIRONMENT:**
- ✓ Take left over materials to an authorized collection point or follow the stipulations in the country where the mixer is used.
 - ✗ **DO NOT** discharge into drains, soil or water.
- 1.2.14. **STORE IDLE EQUIPMENT:**
- ✓ When not in use, the mixer should be stored in a dry location to inhibit rust. Keep the mixer away from children and others not qualified to use it.
- 1.2.15. **FIRE FIGHTING:** Refer to MSDS.
- ✗ **DO NOT** to reach into the drum interior to the rotating blades.

2. INTRODUCTION

Powerful 550W insulated motor. 125L Drum with 79L mixing capacity. Easily attach or remove legs for storage or transportation. Large Ø200mm wheels for easy portability. Features folding legs for ease of transportation and storage.

3. FEATURES

Drum Tipping Wheel:
Pull wheel to release from locking mechanism to tip



Transport Handle



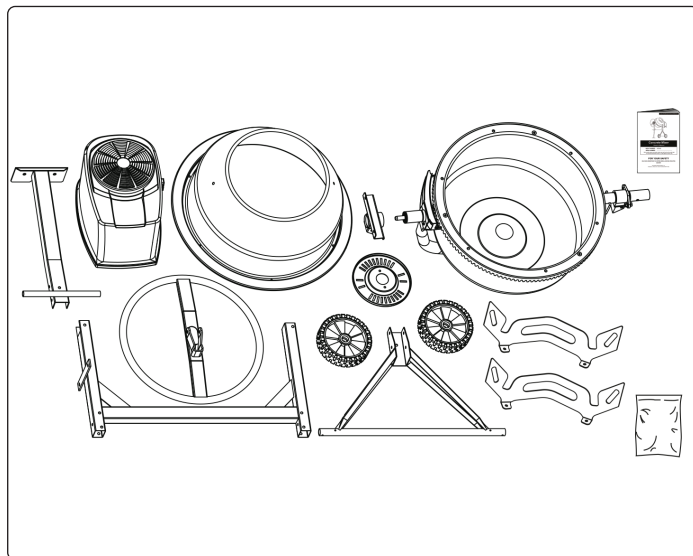
4. SPECIFICATION

Model No: CMX125
 Drum Capacity: 125L
 IP Rating: IP45D
 Mixing Capacity: 79L
 Drum Speed: 26.6rpm
 Drum Mouth: 385mm
 Motor Power: 550W
 Noise Level (empty): 95dB
 Weight: 46.5kg
 Plug Type: 3-Pin

Type of Distribution: TT
 Short Circuit Rating for Incoming Power Supply: 9.6A
 Full Load Current for Incoming Power Supply: 2.4A
 Not Exceeding 13A
 Permissible Environmental Conditions: -40° to 40°C
 Electrical Class: II
 Sound Power Level: 91dB(A)
 Duty Cycle: S6 30%
 Power Supply: 230V 50Hz

5. CONTENTS

Refer to Parts List for descriptions.



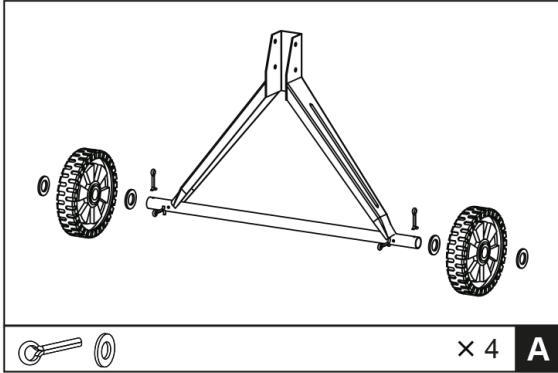
Fixings: Letters refer to specific Assembly operations. See diagrams below.

		x 4	A
	M8 x 70	x 2	B
	M8 x 70	x 2	C
	M8 x 65	x 2	D
	Ø42	x 1	
	M8 x 20	x 2	E
	M8 x 16	x 6	F
	M8 x 20	x 2	
	M8 x 25	x 2	G
	M10 x 65	x 1	H
		x 1	
	M8	x 4	I

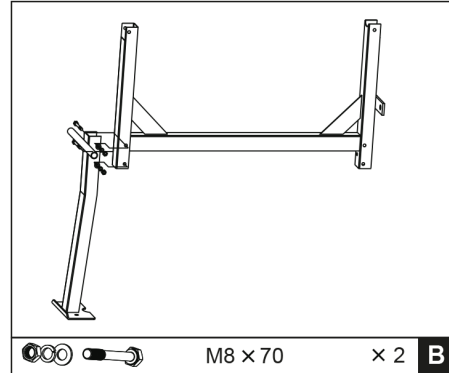
6. ASSEMBLY

NOTE: Two persons required to Assemble. Numbers in brackets refer to Parts List.

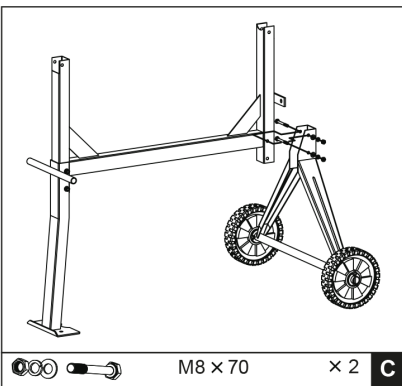
STEP 1: THE STAND



With a split pin inserted into the inner holes in each stub axle, place a flat washer, then a wheel followed by another flat washer. Insert another split pin into the axle holes outside each flat washer. Bend each side of the pins outward so they do not fall out.



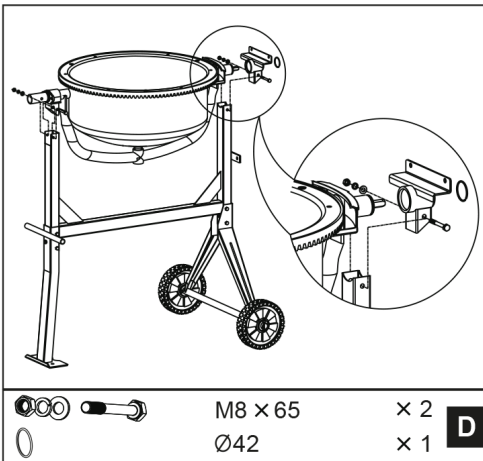
With the frame lying on its side, attach the support leg as shown. Insert two M8X70 hex bolts through the holes from one side, then flat washers, lock washers and nuts from the other side. Tighten fixings.



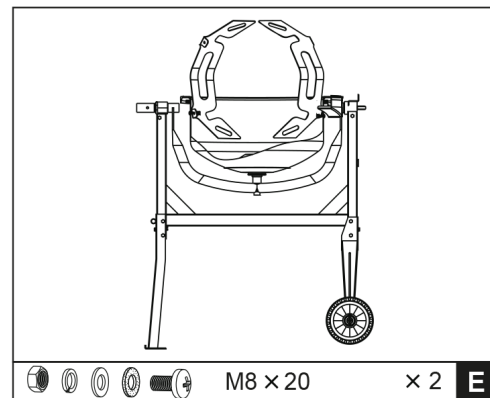
Turn the frame over and attach the axle bracket with wheels in the same manner. Make sure all bolts and nuts are tightened.

STEP 2: BOTTOM DRUM

STEP 3: MIXING BLADES



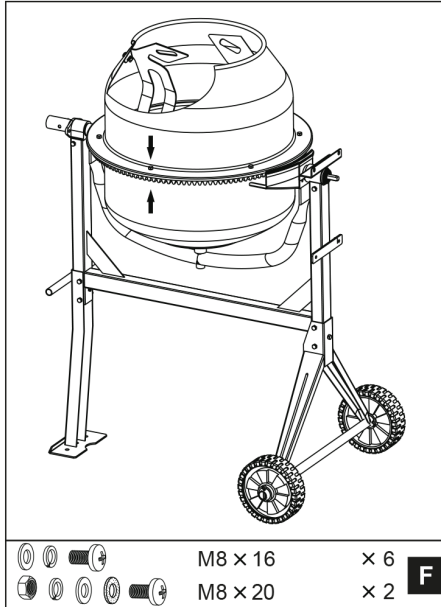
Slide the bearing block on the shaft. Hold it in place with circlip (42). Carefully, and with two people, set the bottom drum with support arm onto the side supports of the stand as shown, so that the bearing blocks slot into the channels provided by the side supports. The larger diameter shaft should be at the leg end of the stand. At each side, line up the holes in the side support with those in the bearing block and insert a M8X65 hex bolt from one side, then a flat washer, lock washer and nut from the other side. Tighten with a wrench.



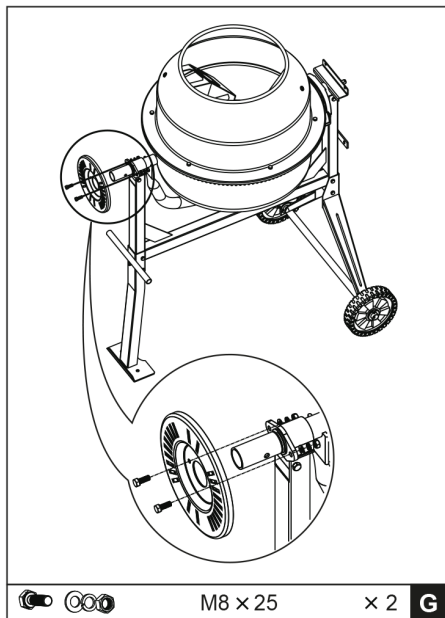
Mount the mixing blades inside the bottom drum loosely as shown - Two holes are provided at the base of the drum into which a M8X20 bolt may be inserted from the outside. A plastic washer, flat washer, lock washer and a nut should be threaded on loosely on the inside. The plastic washer should be placed under the blade down against the drum.

NOTE: Two arrows are labelled on upper drum and bottom drum to make their position relation. If you have any difficulty in correctly positioning the mixing blades, it is helpful if you temporarily mount the upper drum on the top of the bottom drum, rotating it so that the two arrows line up.

STEP 4: UPPER DRUM

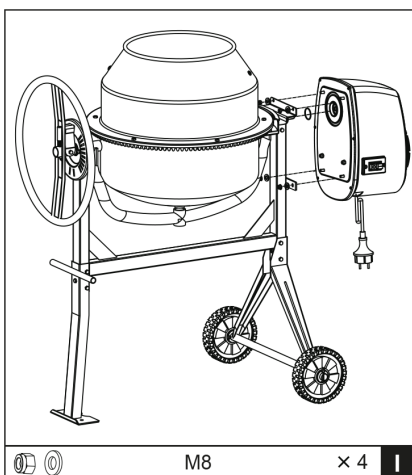


Position the upper drum on bottom drum over the rim, making sure the mounting holes align in both as well as the labelled arrows.

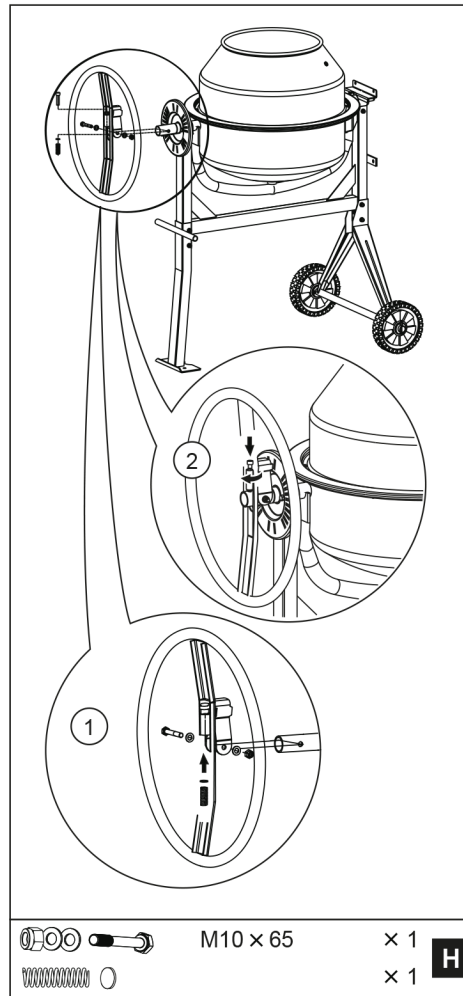


Slide the locking plate over the large diameter shaft at the leg end of the frame with the rim facing inwards as shown. Secure with two M8X25 bolts, each with a nut, lock and flat washers.

STEP 5: TRANSMISSION CASE



Line up the keyways, slide the transmission case over the pinion shaft. Secure the case to the frame with four M8 nuts and flat washers.



Insert the spring with the washer on the top into the sleeve on the tipping wheel. Slide the wheel over the larger diameter shaft until the holes in the bracket line up with the drilled hole. Insert a M10X65 hex bolt with a flat washer and screw on a nut with a flat washer from the other side. Screw the nut up against the bracket firmly, but not so tightly so as to prevent the wheel from pivoting about the bolt. Tighten the M10X30 socket head cap screw on the sleeve to adjust the Spring tension.

NOTE: The wheel must be allowed to pivot about the bolt so that the lugs on the bracket can be engaged or disengaged from the slots in the locking plate.

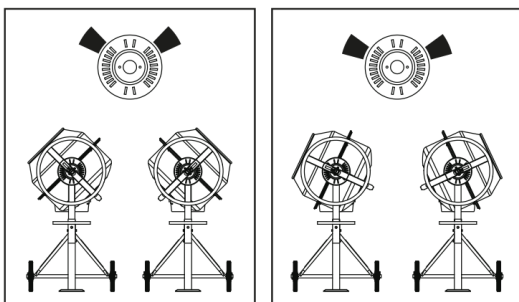
7. OPERATION

- ❑ **WARNING! DO NOT** operate with the motor cover open.
- 7.1. Check that mixer is standing securely and that there is enough area around it to work safely.
- 7.2. Connect to mains supply.
- 7.3. Switch mixer on (switch is located on side of motor cover).
- 7.4. **DRUM TILTING**
The spring-loaded tipping wheel with locking lugs, provides an easy positive control of the drum which can be locked in the mix, discharge and stored positions.
The drum is locked in position by lugs on the self-locating tipping wheel which engage into the locking plate on the mixer frame. To tilt the drum, withdraw the tipping wheel to dis-engage the locking lugs. This then allows the tipping wheel and drum to be turned in the same direction.
To retain the drum in position, aligning the lugs with the slots, release the tipping wheel a little while retaining the drum. Rotate the tipping wheel until the locking lugs engage into the locking plate on the mixer frame.

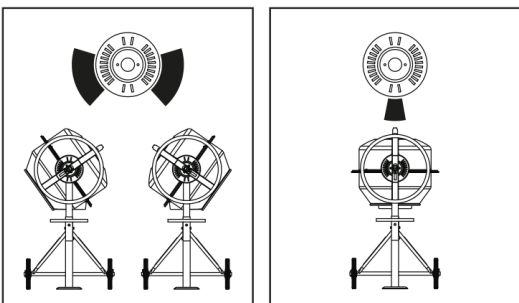
Loading/Mixing Position

For Mortar

For Concrete



Emptying Position Storage Position



- 7.5. **LOADING**
Always start the mixer before loading the drum.
Load the drum with drum rotating.
- ✗ **DO NOT** throw material into the mixer to avoid it sticking to the back of the drum. Trickle it steadily over the rim.
For best results, proceed as follows:
 1. Add the required amount of gravel into the drum.
 2. Add the required amount of cement into the drum.
 2. Add the required amount of sand into the drum.
 4. Pour the required amount of water into the drum.
- 7.6. **EMPTYING**
- ✗ **DO NOT** turn mixer off whilst it still has a load.
Empt the drum with drum rotating.
NOTE: A built-in thermal protector is arranged in the motor to prevent it from overheating. The thermal protector restores automatically when the motor cools down.
- 7.7. **IN EVENT OF BREAKDOWN /EMERGENCY STOP:**
Switch mixer off (if it is safe to do so) or if not disconnect from mains supply. Investigate fault.

- 7.8. **CLEANING**
- ❑ **WARNING!** Never put hands inside the drum with drum rotating.
Thoroughly clean the mixer at the end of each day's operation. Keep your mixer clean. The slightest trace of material left in the drum will harden and attract more each time you use it until the machine is useless.
Dried cement should be scraped out of the drum.
- ✗ **DO NOT** throw bricks into mixer drum to clean it out.
- ✗ **DO NOT** beat on the drum with a shovel, a hammer or other tools to break up accumulations of dried cement mix, as damage to the mixer may result. The drum may be scoured for approximate 2 minutes, using 1" gravel and water mixture.

Then discharge the gravel/water mixture and hose down the drum assembly inside and out. The IP45D protection class construction of the concrete mixer enables you to hose down the drum assembly safely.

- ✗ **DO NOT** pour or spray water directly over the motor cover, especially the openings.
Wipe off any external material on the motor cover.
- ✗ **DO NOT** use petrol, turpentine, lacquer or paint thinner, dry cleaning fluids or similar products. The use of chemical products or solvents may affect the properties of the cover which is made of high density PET.

8. MAINTENANCE

- ❑ **WARNING!** Remove from mains power supply before performing Maintenance or if the motor cover is to be removed.
- 8.1. Maintenance is only to be performed by correctly instructed persons.
- 8.2. Before each use check integrity of: tipping mechanism and that fixings are tight.
- 8.3. The drive belt is under constant even tension by a spring loaded jockey. No adjustment is required apart from a touch of grease on the spindle.
- 8.4. The bearings are sealed for life.

9. END OF LIFE

- 9.1. Dismantle mixer (perform reverse of assembly section).
- 9.2. Recycle according to regulations in force.



WEEE REGULATIONS

Dispose of this product at the end of its working life in compliance with the EU Directive on Waste Electrical and Electronic Equipment (WEEE). When the product is no longer required, it must be disposed of in an environmentally protective way. Contact your local solid waste authority for recycling information.



ENVIRONMENT PROTECTION

Recycle unwanted materials instead of disposing of them as waste. All tools, accessories and packaging should be sorted, taken to a recycling centre and disposed of in a manner which is compatible with the environment. When the product becomes completely unserviceable and requires disposal, drain any fluids (if applicable) into approved containers and dispose of the product and fluids according to local regulations.

Note: It is our policy to continually improve products and as such we reserve the right to alter data, specifications and component parts without prior notice.

Important: No Liability is accepted for incorrect use of this product.
Warranty: Guarantee is 12 months from purchase date, proof of which is required for any claim.

Jack Sealey Ltd t/a Sealey Group, Kempson Way, Suffolk Business Park, Bury St Edmunds, Suffolk, IP32 7AR UK

Jack Sealey (EU) Ltd t/a Sealey Group, Farney Street, Carrickmacross, Co. Monaghan, A81 PK68 Ireland

Tel: 01284 757500 • Email: sales@sealey.co.uk • Web: www.sealey.co.uk



REGISTER YOUR PURCHASE HERE