

# SEALEY

## 4.2kW CABINET GAS HEATER

MODEL NO: CH4200.V2

Thank you for purchasing a Sealey product. Manufactured to a high standard, this product will, if used according to these instructions, and properly maintained, give you years of trouble free performance.

**IMPORTANT:** PLEASE READ THESE INSTRUCTIONS CAREFULLY. NOTE THE SAFE OPERATIONAL REQUIREMENTS, WARNINGS & CAUTIONS. USE THE PRODUCT CORRECTLY AND WITH CARE FOR THE PURPOSE FOR WHICH IT IS INTENDED. FAILURE TO DO SO MAY CAUSE DAMAGE AND/OR PERSONAL INJURY AND WILL INVALIDATE THE WARRANTY. KEEP THESE INSTRUCTIONS SAFE FOR FUTURE USE.



Refer to  
instruction  
manual



Warning  
Hot  
surface

### 1. SAFETY

#### THIS PRODUCT IS NOT SUITABLE FOR PRIMARY HEATING PURPOSES

##### 1.1. GENERAL SAFETY

- WARNING!** Only to be used with Butane gas - **DO NOT** use Propane gas with this heater.
- WARNING!** Replace or repair damaged parts. *Use genuine parts only. Unauthorised parts may be dangerous and will invalidate the warranty.*
- ✓ Store Butane gas cylinders in accordance with the regulations applicable.
- ✓ Ensure that nothing stands or passes in front of the heater. *Mandatory minimum distance from the heater is 1 metre.*
- ✓ Position the heater so that it is facing towards the middle of a room and away from furnishings, furniture, fabrics and walls etc.
- ✓ Use only in a well ventilated area. A ventilation opening must run to the outside of the premises where the heater is to be operated.
- ✓ Use the supplied pressure regulator only.
- ✓ If the smell of gas is detected, or a leak suspected, turn the container's gas valve off immediately. **DO NOT** turn it back on again until the leak has been detected. **DO NOT** disconnect the regulator. Ensure there are no naked flames or ignition sources present and **DO NOT** switch any electrical equipment or switches on or off. Open windows and doors to increase ventilation. Check all the gas connections. To check for leaks, the use of a foamy soap solution or leak detector spray is recommended. Brush the fittings with the solution or apply detector spray onto them and gently open the regulator tap. A leak will form bubbles in the solution. If a leak is found, turn the tap off and **DO NOT** use the heater until it has been inspected and repaired by a competent gas engineer.
- ✓ Ensure that the heater is correctly turned off when not in use.
- ✓ Take care placing the heater on a smooth surface, where it could easily be moved or pivot on its castors, if pushed accidentally.
- ✓ The burner and airways of the heater must be kept clean. Frequent cleaning may be needed, due to build up of carpet fibres etc.
- ✗ **DO NOT** use the heater until all connections have been leak tested.
- ✗ **DO NOT** use the heater if damaged. Take immediate action to repair or replace damaged parts. Use an authorised service agent only.
- ✗ **DO NOT** allow untrained persons to ignite or operate the heater.
- ✗ **DO NOT** allow children to operate or to play in the area around the heater.
- ✗ **DO NOT** use a naked flame to try and ignite the heater, or change the gas cylinder whilst using a naked light.
- ✗ **DO NOT** use the heater where there is flammable material present - either liquids, solids or gases (e.g. - garages where petrol vapour may be present, or laboratories, workshops etc. where highly flammable material may be present).
- ✗ **DO NOT** use multiple portable heaters in a room.
- ✗ **DO NOT** attempt to move the heater whilst it is working, or until it has cooled down.
- ✗ **DO NOT** twist the flexible gas supply hose.
- ✗ **DO NOT** leave the heater unattended at any time whilst in use.
- ✗ **DO NOT** stand too close to the heater as the high temperature could burn or ignite clothing.
- ✗ **DO NOT** cover or place items to dry over the heater, even after it has been turned off, as it will remain hot for some time afterwards.
- ✗ **DO NOT** use in leisure vehicles such as caravans or motorhomes.
- ✗ **DO NOT** use in high rise flats.
- ✗ **DO NOT** use in wet or damp areas, such as bathrooms etc.
- ✗ **DO NOT** use in bedrooms.
- ✗ **DO NOT** use in basements or below ground level.
- ✗ **DO NOT** remove the front grille from the heater, it is there to protect from the risk of fire, or injury from burns. **IT DOES NOT GIVE FULL PROTECTION FOR YOUNG CHILDREN OR THE INFIRM.** Use additional guards where necessary, to provide additional protection, especially if children or animals are present.
- ✓ Keep the heater clean and in a good working order. When not in use, store in a safe, dry, childproof location. After a period of storage, the heater should be examined by a qualified gas engineer, prior to use.

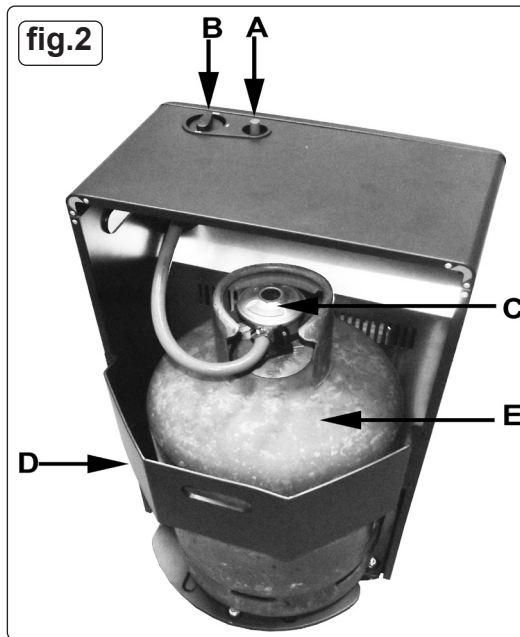
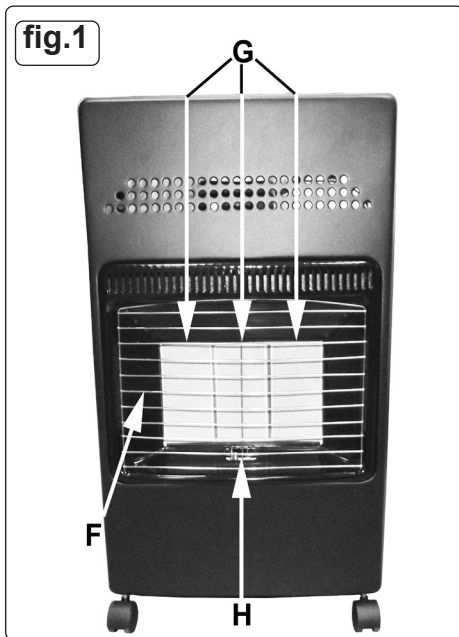
**NOTE:** This appliance is not intended for use by persons (including children) with reduced physical, sensory or mental capabilities or lack of experience and knowledge, unless they have been given supervision or instruction concerning the use of the appliance by a person responsible for their safety. Children should be supervised to ensure that they do not play with the appliance.

### 2. INTRODUCTION

Ceramic plaque cabinet heater ideal for office or home use. Accepts 15kg Butane bottle (not included) which fits into the rear of the unit. Features piezoelectric ignition, removing the need for batteries. Three heat output settings ranging from 1.55 to 4.2kW (5,288 to 14,330Btu/hr). Safety features fitted include a flame failure device, anti-tilt switch and oxygen depletion system. Supplied with hose and regulator.

### 3. SPECIFICATION

Model no .....CH4200.V2  
 Output .....1.55/2.9/4.2kW (5,288-14,330 Btu/hr)  
 Fuel .....Butane  
 Fuel consumption .....0.11/0.2/0.305kg/hr  
 Overall size .....430 x 295 x 750mm



- A - Ignition button
- B - Heat Control Dial
- C - Gas Regulator
- D - Gas Cylinder Retainer
- E - Gas Cylinder (not included)
- F - Heater Grille
- G - Ceramic Burner Panels
- H - Pilot Light

### 4. INSTALLATION

#### 4.1. VENTILATION

4.1.1. It is essential that adequate ventilation is provided and maintained in the room where the heater is installed. The heater needs a fresh air supply to run efficiently. Ensure that any ventilation grilles in the room are open and not blocked. If there are no ventilation grilles, a window or outside door will need to be opened. If the room begins to feel stuffy, more ventilation may be needed. See required room ventilation opening below.

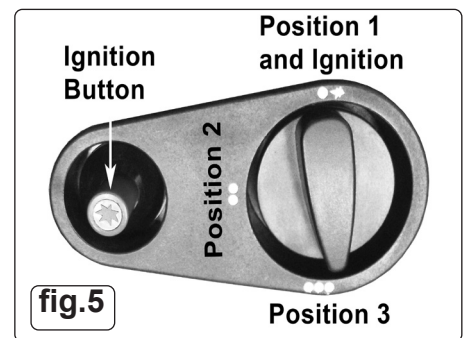
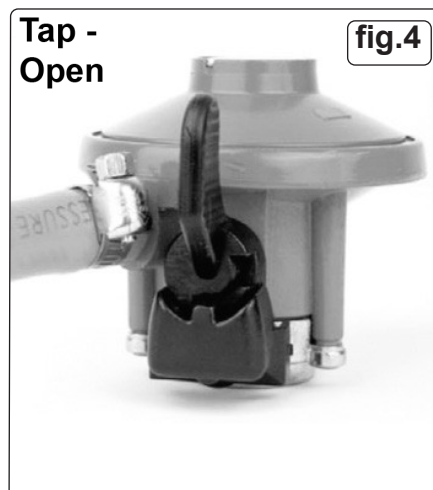
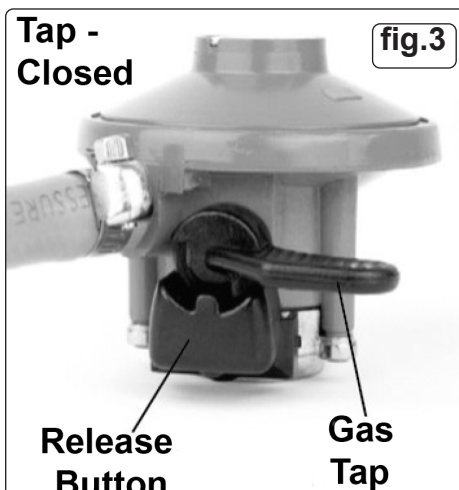
\* **DO NOT** place the heater in a corridor or where it is likely to be exposed to strong draughts.

4.1.2. The heater has an Oxygen Depletion Sensor (ODS) fitted. This will shut the heater down if not enough fresh oxygen content is available.

4.1.3. If the heater shuts down, **DO NOT** relight it until extra ventilation is sourced.

4.1.4. The heater **MUST NOT** be used in rooms having less than 15m<sup>3</sup> volume (30m<sup>3</sup> for living rooms). See table below.

HEAT SETTING	REQUIRED ROOM VOLUME	REQUIRED ROOM VENTILATION OPENING
Min.	15m <sup>3</sup>	105cm <sup>2</sup>
Med.	28.5m <sup>3</sup>	105cm <sup>2</sup>
Max.	42m <sup>3</sup>	105cm <sup>2</sup>



(Switch shown in position 3)

4.1.5. Carbon Monoxide (CO) is a highly poisonous gas which can be produced if the heater is not working correctly. It is difficult to recognise as it has no colour, odour or taste. Some symptoms of CO poisoning are:

Weakness, dizziness, nausea, vomiting, (severe) headache, convulsions, coma, slowed respiration, depressed heart action, tightness across the forehead. If the exposure is severe it can cause death.

If the heater is showing any signs of the following it could be producing Carbon Monoxide:

Ceramic burner panels are dull, gas burns with a blue haze, soot deposits on the burner panels, burner panels or cement fixings are damaged, heater does not burn quietly. If there are any of these signs and/or any of the symptoms present, switch the heater off and have it checked by a qualified gas engineer.

## 4.2. CONNECTIONS

- 4.2.1. Remove all the packaging from the heater.
- 4.2.2. A standard Butane gas cylinder up to a maximum size of 15kg is required.
- 4.2.3. Connecting the regulator to the gas cylinder - ensure that the regulator tap is in the 'Closed' position (fig.3) and that the heat control dial is in the ignition position1 (fig.5) before doing so. Remove the cap from the gas cylinder, place the regulator onto the gas cylinder and push down firmly and vertically. A clicking sound should be heard, indicating that the regulator is securely installed (if it is difficult to push down, slight pressure on the release button may be needed).  
**NEVER attempt to install or remove the regulator whilst the tap is in the 'Open' position (fig.4).**
- 4.2.4. Turn the regulator tap to the 'Open' position, by lifting the release button first (fig.3).
- 4.2.5. **Check the hose and fittings for gas leaks. WARNING! DO NOT USE A NAKED FLAME to check for leaks, the use of a foamy soap solution or leak detector spray is recommended.**
- 4.2.6. Remove the gas cylinder retainer (fig.2.D) from its transit position in the heater, by removing the four screws. Carefully lift and install the gas cylinder into the heater, seek help lifting the gas cylinder if required. Ensure that the flexible gas supply hose does not get trapped or kinked. Retain the gas cylinder with the gas cylinder retainer, using the 4 screws to fix it into place (fig.2.D).
- 4.2.7. Site the heater in the preferred location, ensuring all safety instructions in section 1 are adhered to.

## 5. OPERATION

### 5.1. TURNING HEATER ON

**NOTE:** A safety feature of the heater switches the heater off, if nudged, tilted or transported.

- 5.1.1. Ensure that the heat control dial is turned to the ignition position 1 (fig.5) and that the regulator gas tap is open (fig.4).
- 5.1.2. Push down and hold the heat control dial (fig.2.B) and at the same time repeatedly press the ignition button (fig.2.A) to ignite the pilot light (fig.1H). When it has lit, keep holding down the heat control dial for a few more seconds until the thermocouple glows red and then release it. If the pilot light extinguishes, repeat the procedure, holding down the heat control dial down for slightly longer. If it does not ignite after 3 or 4 attempts, leave it for a couple of minutes to clear any gas, then repeat the procedure again.

**NOTE:** When lighting the heater for the first time after installing a new gas cylinder, it may be necessary to hold down the heat control dial for a longer period, to allow the gas to flow through to the pilot light.

- 5.1.3. Once the heater is lit, turn the heat control dial to the desired heat setting:

1. Low 2. Med 3. High (Position shown in fig.5).

### 5.2. TURNING HEATER OFF

- 5.2.1. To turn the heater off, turn the regulator gas tap to the 'Off' position (fig.3), wait for a few seconds and turn the heat control dial to the ignition position 1 (fig.5).

**IMPORTANT: The heater can only be turned off using the regulator gas tap. The heat control dial cannot turn off the heater.**

- WARNING:** If the heater's flame does not completely extinguish (including the pilot light) when the gas is turned off, **DO NOT** remove the regulator. Return the tap to the open position, leave the heater on and contact a competent gas engineer to repair it.

### 5.3. REPLACING THE GAS CYLINDER

- WARNING! Only to be undertaken in a flame free atmosphere.**

- 5.3.1. Turn the regulator tap to the closed position (fig.3).
- 5.3.2. Ensure that the heater control dial is in the ignition position 1 (fig.5).
- 5.3.3. Hold in the regulator release button (fig.3) and pull the regulator upwards.
- NOTE:** If the tap is not switched off, the regulator release button will not depress, and the regulator cannot be removed.
- 5.3.4. Replace the safety cap (or seal) onto the gas cylinder's valve.
- 5.3.5. Undo the four screws retaining the cylinder restraint and remove restraint.
- 5.3.6. Remove the cylinder and follow the instructions in sections 4.2.3. to 4.2.5. to install a new cylinder.

## 6. MAINTENANCE

- WARNING! Maintenance should be carried out annually by a competent gas engineer. Contact your stockist for your nearest service agent.**
- WARNING! Before commencing service or maintenance, turn the heater off, disconnect the heater from the gas supply and allow it to cool down. Use authorised parts only. Unauthorised parts may be dangerous and will invalidate the warranty.**
- 6.3.1. Inspect the gas supply hose for signs of deterioration, cracking etc. and replace if necessary. Replacement hoses must conform to BS3212 Type 2 and have a length of 500mm.
- 6.3.2. Clean the exterior of the heater using a clean, dry, or slightly moistened cloth. Use a vacuum cleaner to remove any build up of dust and fluff from the heater's grille.
- 6.3.3. If storing the heater for a period of time, remove the gas cylinder from it first. Store in a safe, dry, childproof location. After a period of storage, the heater should be examined by a competent gas engineer, prior to its first use.

Parts support is available for this product. Please email [sales@sealey.co.uk](mailto:sales@sealey.co.uk) or telephone 01284 757500



### ENVIRONMENT PROTECTION

Recycle unwanted materials instead of disposing of them as waste. All tools, accessories and packaging should be sorted, taken to a recycling centre and disposed of in a manner which is compatible with the environment. When the product becomes completely unserviceable and requires disposal, drain any fluids (if applicable) into approved containers and dispose of the product and fluids according to local regulations.

**Note:** It is our policy to continually improve products and as such we reserve the right to alter data, specifications and component parts without prior notice.

**Important:** No Liability is accepted for incorrect use of this product.

**Warranty:** Guarantee is 12 months from purchase date, proof of which is required for any claim.

Sealey Group, Kempson Way, Suffolk Business Park, Bury St Edmunds, Suffolk. IP32 7AR



01284 757500



01284 703534



[sales@sealey.co.uk](mailto:sales@sealey.co.uk)



[www.sealey.co.uk](http://www.sealey.co.uk)