

Thank you for purchasing a Sealey product. Manufactured to a high standard this product will, if used according to these instructions and properly maintained, give you years of trouble free performance.



IMPORTANT

PLEASE READ THESE INSTRUCTIONS CAREFULLY. NOTE THE SAFE OPERATIONAL REQUIREMENTS, WARNINGS AND CAUTIONS. USE THIS PRODUCT CORRECTLY AND WITH CARE FOR THE PURPOSE FOR WHICH IT IS INTENDED. FAILURE TO DO SO MAY CAUSE DAMAGE OR PERSONAL INJURY, AND WILL INVALIDATE THE WARRANTY. PLEASE KEEP INSTRUCTIONS SAFE FOR FUTURE USE.

1. SAFETY INSTRUCTIONS

1.1. ELECTRICAL SAFETY. ⚠ WARNING! It is the user's responsibility to read, understand and comply with the following:

You must check all electrical equipment and appliances to ensure they are safe before using. You must inspect power supply leads, plugs and all electrical connections for wear and damage. You must ensure the risk of electric shock is minimised by the installation of appropriate safety devices. An RCCB (Residual Current Circuit Breaker) should be incorporated in the main distribution board. We also recommend that an RCD (Residual Current Device) is used with all electrical products. It is particularly important to use an RCD together with portable products that are plugged into an electrical supply not protected by an RCCB. If in doubt consult a professional electrician. You may obtain a Residual Current Device by contacting your Sealey dealer. **You must** also read and understand the following instructions concerning electrical safety.

1.1.1. The **Electricity At Work Act 1989** requires all portable electrical appliances, if used on a business premises, to be tested by a qualified Electrician at least once a year by using a Portable Appliance Tester (PAT).

1.1.2. The **Health & Safety at Work Act 1974** makes owners of electrical appliances responsible for the safe condition of the appliance, and the safety of the appliance operator. **If in doubt about electrical safety, contact a qualified electrician.**

1.1.3. Ensure the insulation on all cables and the product itself is safe before connecting to the mains power supply. See 1.1.1. & 1.1.2. above and use a Portable Appliance Tester (PAT).

1.1.4. Ensure that cables are always protected against short circuit and overload.

1.1.5. Regularly inspect power supply, leads, plugs and all electrical connections for wear and damage, especially power connections, to ensure that none are loose.

1.1.6. **Important:** Ensure the voltage marked on the product is the same as the electrical power supply to be used, and check that plugs are fitted with the correct capacity fuse. A 13Amp plug may require a fuse smaller than 13Amps for certain products (*subject to 1.1.10. below*) see fuse rating at right.

1.1.7. DO NOT pull or carry the powered appliance by its power supply lead.

1.1.8. DO NOT pull power plugs from sockets by the power cable.

1.1.9. DO NOT use worn or damage leads, plugs or connections. Immediately replace or have repaired by a qualified Electrician. A U.K. 3 pin plug with ASTA/BS approval is fitted. In case of damage, cut off and fit a new plug according to the following instructions (discard old plug safely).

(UK only - see diagram at right). **Ensure the unit is correctly earthed via a three-pin plug.**

a) **Connect the GREEN/YELLOW earth wire to the earth terminal 'E'.**

b) **Connect the BROWN live wire to live terminal 'L'.**

c) **Connect the BLUE neutral wire to the neutral terminal 'N'.**

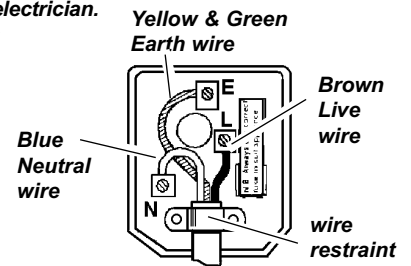
After wiring, check there are no bare wires, that all wires have been correctly connected and that the wire restraint is tight.

Double insulated products are often fitted with live (BROWN) and neutral (BLUE) wires only. Double insulated products are always marked with this symbol . **To re-wire, connect the brown & blue wires as indicated above. DO NOT connect the brown or blue to the earth terminal.**

1.1.10. **Cable extension reels.** When a cable extension reel is used it should be fully unwound before connection. A cable reel with an RCD fitted is recommended since any product which is plugged into the cable reel will be protected. The section of the cable on the cable reel is important. We recommend that at least 1.5mm² section cable but to be absolutely sure that the capacity of the cable reel is suitable for this product and for others that may be used in the other output sockets, we recommend the use of 2.5mm² section cable.

1.2 GENERAL SAFETY

- ✓ Disconnect the heater from the mains power before handling or cleaning.
- ✓ Maintain the heater in good order and clean condition for best and safest performance. Use authorised agent for servicing.
- ✓ Replace or repair damaged parts. *Use authorised parts. Non authorised parts may be dangerous and will invalidate the warranty.*
- ✓ Locate heater in an adequate area for its function, keep the immediate area in front of the heater clean and free from unrelated materials.
- ✓ Only use the heater standing on its feet in the upright position.
- ⚠ **WARNING!** DO NOT use the heater with controllers, timers, room thermostates or other devices which could automatically switch heat on.
- x DO NOT allow the heater to get wet as this may cause an electric shock, and will damage the heater.
- x DO NOT let power lead hang over an edge (i.e. table), or touch a hot surface or run under a carpet etc.
- x DO NOT cover heater when in use, and do not obstruct the air inlet and outlet grills (i.e. clothing, curtain, furniture, bedding etc).
- x DO NOT use in bathroom, shower room, or in any wet or damp environments or where there is high condensation.
- x DO NOT insert or allow objects to enter grills of heater as this may cause an electric shock, fire or damage to heater.
- x DO NOT use the heater out of doors. This heater is designed for indoor use only.
- x DO NOT use heater if the power cord, plug or the heater is damaged, or if the heater is not working correctly, or if the heater has been dropped or has become wet.
- x DO NOT use the heater where there are flammable liquids, solids or gases such as petrol, solvents, aerosols etc, or where heat sensitive materials may be stored.
- x DO NOT place the heater near items that may be damaged by heat. Maintain a minimum of 1m distance between heater and other items.
- x DO NOT touch the heater in use. When turned off only move or carry the heater by its handle.
- x DO NOT allow children or animals to approach or touch the heater.
- x DO NOT use the heater for any purpose other than for which it is designed.
- ✓ Allow the unit to cool before storage. When not in use, disconnect from the mains and store in a safe, cool, dry, child proof area.



FUSE RATING
THIS PRODUCT MUST BE FITTED
WITH A:
13 Amp FUSE

2. SPECIFICATIONS & ASSEMBLY

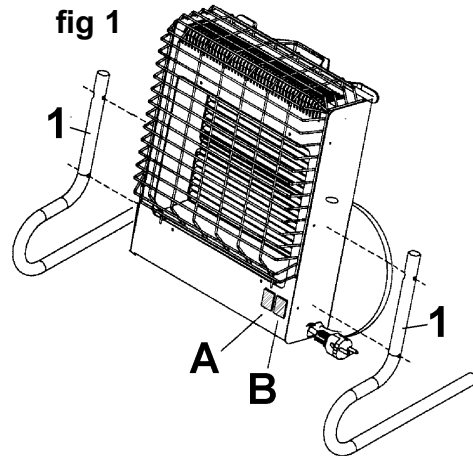
Ceramic plaques provide fast and efficient transfer of heat. Elements are switchable between 800, 1600 and 2400Watts and are fully guarded. Lightweight, portable and suitable for industrial or domestic applications. Heater is fitted with an automatic cut-out should it be tipped over.

2.1. SPECIFICATIONS.

Power output800/1600/2400Watts
 Input230V. 10.5Amp
 Weight6kg
 Width400mm
 Length365mm
 Height525mm

2.2. ASSEMBLY

Check the heater to ensure it is in good condition and not damaged.
 Fix the two leg supports (fig 1.1) to the side of the heater with washers and screws provided.
 DO NOT use the heater without the supporting legs fitted.

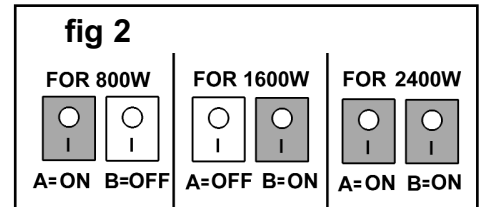


3. OPERATING INSTRUCTIONS

WARNING! Ensure you read, understand and apply safety instructions.

- 3.1. Fully unwind the power cable and check it and the plug are in good condition.
- 3.2. Plug into the mains power supply.
- 3.3. Set switches to the required output power, see figure 2.
 800W (low) turn switch A to On and B to Off
 1600W (medium) turn switch A to Off and B to On.
 2400W (Full) turn switch A to On and B to On.

Note: If tipped over, a cut-out device will automatically switch the heater off. When the heater is placed in the correct position it will automatically restart .
WARNING the heater surfaceces may be hot.



4. MAINTENANCE

- ☐ **WARNING! Before attempting any maintenance ensure the unit is unplugged from the mains power supply and that it is cool.**
- 4.1. Clean the heater with a soft dry cloth. DO NOT use abrasives or solvents.
- 4.2. Periodically remove the element guard and clean the reflector panels behind the heating elements. Refit the guard before use.
- 4.3. Periodically check the heater grills to ensure they are not blocked.

No other maintenance is necessary. If you experience a problem with your heater or if the power lead or plug is damaged contact your local authorised service agent for repair. DO NOT dismantle or tamper with the heater as this may be dangerous and will invalidate your warranty.

Declaration of Conformity We, the sole importer into the UK, declare that the product listed below is in conformity with the following EEC standards and directives.	
<div style="border: 1px solid black; padding: 5px; text-align: center;"> ELECTRICAL CERAMIC HEATER Model CH2400 </div> <p>73/23/EEC Low Voltage Directive (S.I. 1994/3260) EN60335-1 and EN60335-2-30</p>	<div style="display: flex; align-items: center;"> <div style="font-size: 2em; margin-right: 10px;">CE</div> <div> The construction file for this product is held by the Manufacturer and may be inspected by a national authority upon request to Jack Sealey Ltd Signed by Mark Sweetman 21st September 2000 </div> </div> <p style="text-align: center; margin-top: 10px;"><i>For Jack Sealey Ltd. Sole importer into the UK of Sealey Power Products</i></p>

NOTE: It is our policy to continually improve products and as such we reserve the right to alter data, specifications and component parts without prior notice.

IMPORTANT: No liability is accepted for incorrect use of this product.

WARRANTY: Guarantee is 12 months from purchase date, proof of which will be required for any claim.

INFORMATION: Call 01284 757525 for our catalogue & promotions. Leave your full name, address & postcode.

	Sole UK Distributor, Sealey Group , Bury St. Edmunds, Suffolk.
01284 757500	01284 703534
E-mail: sales@sealey.co.uk	