



INSTRUCTIONS FOR:
**CONVECTOR HEATER 2000W/230V
WITH TURBO FAN**
MODEL NO: **CD2005T.V2**

Thank you for purchasing a Sealey product. Manufactured to a high standard, this product will, if used according to these instructions, and properly maintained, give you years of trouble free performance.

IMPORTANT: PLEASE READ THESE INSTRUCTIONS CAREFULLY. NOTE THE SAFE OPERATIONAL REQUIREMENTS, WARNINGS & CAUTIONS. USE THE PRODUCT CORRECTLY AND WITH CARE FOR THE PURPOSE FOR WHICH IT IS INTENDED. FAILURE TO DO SO MAY CAUSE DAMAGE AND/OR PERSONAL INJURY AND WILL INVALIDATE THE WARRANTY. KEEP THESE INSTRUCTIONS SAFE FOR FUTURE USE.

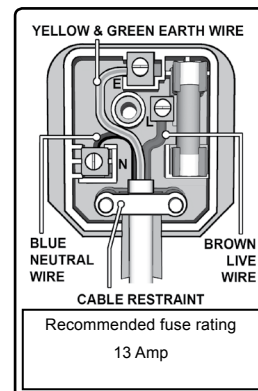


Refer to
Instruction
Manual

1. SAFETY

1.1. ELECTRICAL SAFETY

- WARNING!** It is the user's responsibility to check the following:
Check all electrical equipment and appliances to ensure that they are safe before using. Inspect power supply leads, plugs and all electrical connections for wear and damage. Sealey recommend that an RCD (Residual Current Device) is used with all electrical products. You may obtain an RCD by contacting your local Sealey dealer.
If the heater is used in the course of business duties, it must be maintained in a safe condition and routinely PAT (Portable Appliance Test) tested.
Electrical safety information, it is important that the following information is read and understood.
- 1.2. Ensure that the insulation on all cables and on the appliance is safe before connecting it to the power supply.
- 1.3. Regularly inspect power supply cables and plugs for wear or damage and check all connections to ensure that they are secure.
- 1.4. **Important:** Ensure that the voltage rating on the appliance suits the power supply to be used and that the plug is fitted with the correct fuse - see fuse rating in these instructions.
 - * **DO NOT** pull or carry the appliance by the power cable.
 - * **DO NOT** pull the plug from the socket by the cable.
 - * **DO NOT** use worn or damaged cables, plugs or connectors. Ensure that any faulty item is repaired or replaced immediately by a qualified electrician.
- 1.5. This product is fitted with a BS1363/A 13 Amp 3 pin plug.
If the cable or plug is damaged during use, switch the electricity supply and remove from use.
Ensure that repairs are carried out by a qualified electrician.
Replace a damaged plug with a BS1363/A 13 Amp 3 pin plug. If in doubt contact a qualified electrician.
 - a) Connect the GREEN/YELLOW earth wire to the earth terminal 'E'.
 - b) Connect the BROWN live wire to the live terminal 'L'.
 - c) Connect the BLUE neutral wire to the neutral terminal 'N'.Ensure that the cable outer sheath extends inside the cable restraint and that the restraint is tight.
Sealey recommend that repairs are carried out by a qualified electrician.



1.6. GENERAL SAFETY

- WARNING!** Disconnect the heater from the mains power supply before carrying out any servicing or maintenance.
- Disconnect the heater from the power supply before handling or cleaning.
- Maintain the heater in good order and clean condition for best and safest performance.
- Replace or repair damaged parts. *Use genuine parts only. Unauthorised parts may be dangerous and will invalidate the warranty.*
- Ensure there is adequate lighting and keep the immediate area in front of the outlet grille clear.
- Only use the heater standing on its feet in the upright position.
- * **DO NOT** allow any untrained to use the heater. Ensure they are familiar with the controls and hazards of the heater.
- * **DO NOT** let power lead hang over an edge (i.e. table), or touch a hot surface, lie in heater hot air flow, or run under a carpet.
- * **DO NOT** touch the outlet grille (top) of the heater during and immediately after use as it will be hot.
- * **DO NOT** place the heater near items that may be damaged by heat.
- * **DO NOT** allow children to touch or to operate the heater.
- * **DO NOT** place heater too close to yourself or any object, allow the air to circulate freely.
- * **DO NOT** use the heater for any purpose other than for which it is designed.
- * **DO NOT** use heater on very deep pile carpets.
- * **DO NOT** use the heater outdoors. These heaters are designed for indoor use only.
- * **DO NOT** use heater if the power cord, plug or the heater is damaged, or if the heater has become wet.
- * **DO NOT** use in bathroom, shower room, or in any wet or damp environments or where there is high condensation.
- * **DO NOT** operate the heater when you are tired or under the influence of alcohol, drugs or intoxicating medication.
- * **DO NOT** allow the heater to get wet as this may result in an electric shock and personal injury.
- * **DO NOT** insert or allow objects to enter any openings of heater as this may cause an electric shock, a fire or damage to heater.
- * **DO NOT** use the heater where there are flammable liquids, solids or gases such as petrol, solvents, aerosols etc, or where heat sensitive materials may be stored.
- * **DO NOT** place the heater immediately below any electrical outlet.
- * **DO NOT** cover heater when in use, and do not obstruct the air inlet and outlet grille (i.e. clothing, curtain, furniture, bedding etc).

- ✓ Allow the unit to cool before storage. When not in use, disconnect from the mains power supply and store in a safe, cool, dry, childproof area.

NOTE: This appliance can be used by children aged from 8 years and above and persons with reduced physical, sensory or mental capabilities or lack of experience and knowledge if they have been given supervision or instruction concerning use of the appliance in a safe way and understand the hazards involved. Children shall not play with the appliance. Cleaning and user maintenance shall not be made by children without supervision.

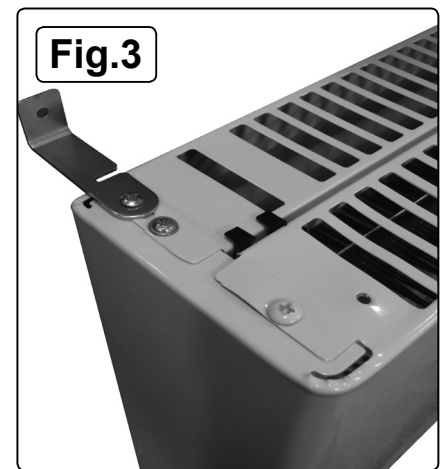
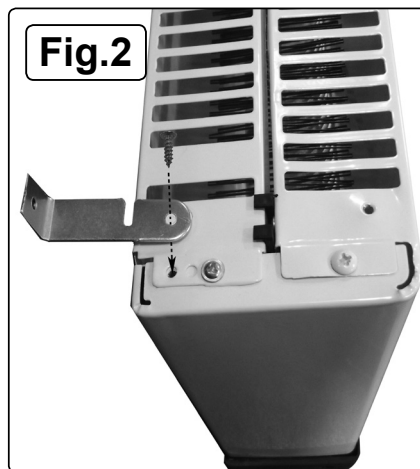
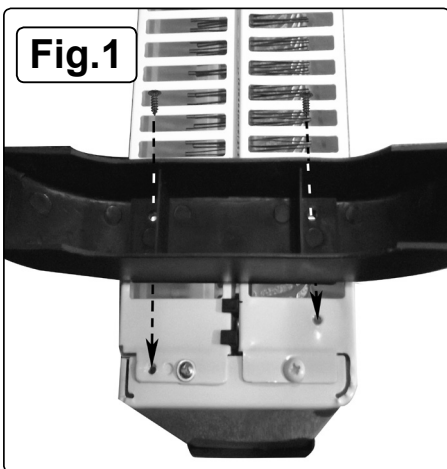
2. INTRODUCTION

Electric convector heater with three heat settings of 750/1250/2000W for gradual control of heating elements. Rotary controlled room thermostat maintains ambient temperature at pre-set level. Features built in turbo fan. Can be used free standing or wall mounted. Slimline sturdy Construction and high quality finish makes this unit suitable for home, light industrial and office environments. Supplied with 13Amp non-rewirable ASTA approved plug and wall mounting kit.

3. SPECIFICATIONS

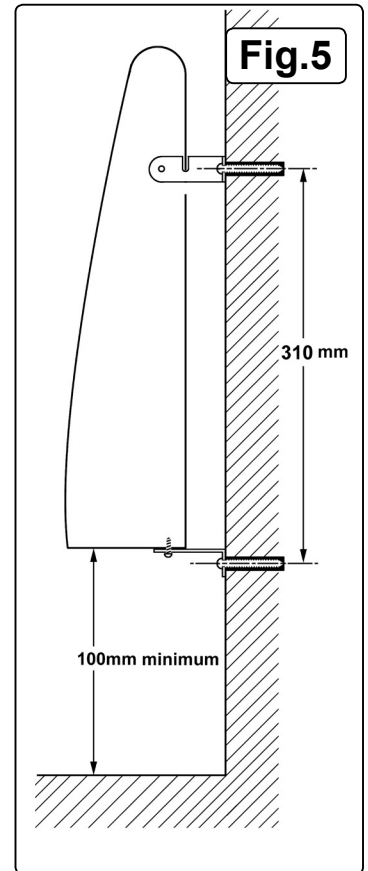
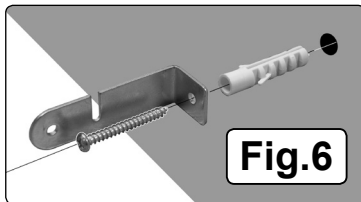
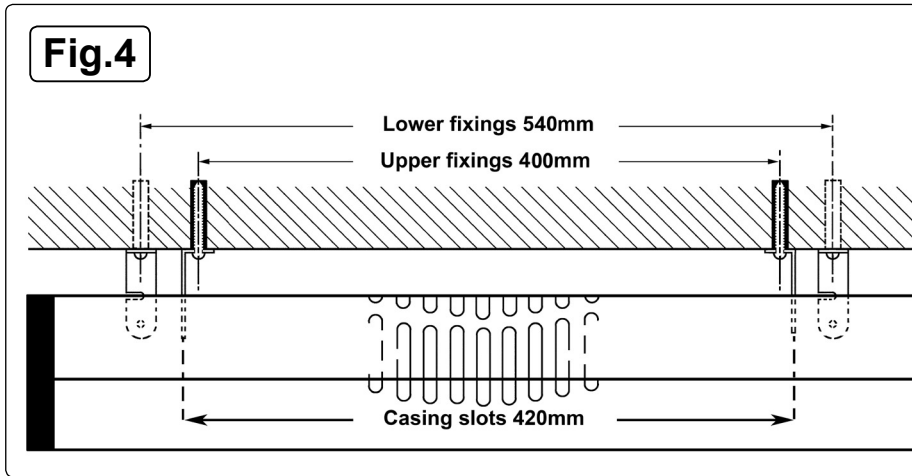
Model No:.....**CD2005T.V2**
Power Settings:..... 750/1250/2000W
Supply:.....230V
Size (W x D x H):.....595 x 200 x 420mm
Weight:..... 2.8kg

4. ASSEMBLY



- 4.1. The heater can be free standing on the feet provided or can be wall mounted using the wall mounting brackets .
- 4.2. **Mounting the feet. (fig.1.)**
 - 4.2.1. Turn the heater upside down and support it securely. Take one of the feet and place it onto the underside of the heater in the position indicated in fig.1. When the foot is positioned correctly 2 holes in the foot will line up with the holes in the underside of the heater.
 - 4.2.2. Fasten each foot down with the self tapping screws provided.
- 4.3. **Wall mounting the heater.**
 - 4.3.1. The wall mounting kit consists four wall mounting brackets as shown in fig.6. (two left hand and two right hand) and four 35mm fixing screws with wall plugs. Locate the heater close to a mains supply socket.
 - 4.3.2. Sort the wall mounting brackets into two pairs having a right hand and a left hand bracket in each pair. Take one pair of brackets and mount them to the underside of the heater using self tapping screws as shown in fig.2 and fig.3. Each bracket should be fixed in the pre-drilled holes provided.
 - 4.3.3. Take the other pair of brackets and fix them to the wall with the wall plugs provided as shown in fig.6. The hanging slots should be facing upwards and the two brackets should be facing towards each other 420mm apart as shown in fig.4. The fixings should be at least 800mm above the floor to give a minimum clearance of 100mm between the bottom of the heater and the floor as shown in fig.5. When the heater is wall mounted the feet are not required.

- 4.3.4. Present the heater to the wall so that the wall mounting brackets enter the two slots in the back of the heater. Push the heater onto the brackets and allow it to drop into the hanging slots equally on both sides.
- 4.3.5. The two lower mounting brackets should now be resting squarely on the wall. If not, rotate them slightly on their screws until the mounting surface is flat against the wall. Mark the mounting positions on the wall through the mounting holes. Remove the heater from the upper brackets and drill and plug the wall in the positions marked. Re-hang the heater on the upper brackets. Fix the lower brackets to the wall with the screws provided.
- 4.3.6. To eliminate excess cable lying on the floor it may be necessary to shorten the cable to one short loop. Remove the plug. Shorten the cable and rewire the plug as shown in section 1.5.



NOTE: It is our policy to continually improve products and as such we reserve the right to alter data, specifications and component parts without prior notice.

IMPORTANT: No liability is accepted for incorrect use of this product.

WARRANTY: Guarantee is 12 months from purchase date, proof of which will be required for any claim.



Sole UK Distributor, Sealey Group.
 Kempson Way, Suffolk Business Park,
 Bury St. Edmunds, Suffolk.
 IP32 7AR



01284 757500



01284 703534



www.sealey.co.uk



sales@sealey.co.uk