

Thank you for purchasing a Sealey product. Manufactured to a high standard this product will, if used according to these instructions and properly maintained, give you years of trouble free performance.

⚠ IMPORTANT: PLEASE READ THESE INSTRUCTIONS CAREFULLY. NOTE THE SAFE OPERATIONAL REQUIREMENTS, WARNINGS & CAUTIONS. USE THE PRODUCT CORRECTLY AND WITH CARE FOR THE PURPOSE FOR WHICH IT IS INTENDED. FAILURE TO DO SO MAY CAUSE DAMAGE AND/OR PERSONAL INJURY AND WILL INVALIDATE THE WARRANTY. PLEASE KEEP INSTRUCTIONS SAFE FOR FUTURE USE.

1. SAFETY INSTRUCTIONS

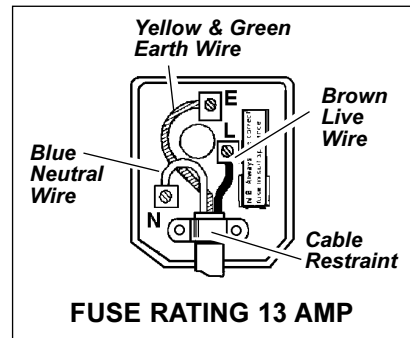
1.1. ELECTRICAL SAFETY

⚠ WARNING! It is the responsibility of the owner and the operator to read, understand and comply with the following:

You must check all electrical products, before use, to ensure that they are safe. You must inspect power cables, plugs, sockets and any other connectors for wear or damage. You must ensure that the risk of electric shock is minimised by the installation of appropriate safety devices. A Residual Current Circuit Breaker (RCCB) should be incorporated in the main distribution board. We also recommend that a Residual Current Device (RCD) is used. It is particularly important to use an RCD with portable products that are plugged into a supply which is not protected by an RCCB. If in any doubt consult a qualified electrician. You may obtain a Residual Current Device by contacting your Sealey dealer.


You must also read and understand the following instructions concerning electrical safety.

- 1.1.1. The **Electricity at Work Act 1989** requires all portable electrical appliances, if used on business premises, to be tested by a qualified electrician, using a Portable Appliance Tester (PAT), at least once a year.
- 1.1.2. The **Health & Safety at Work Act 1974** makes owners of electrical appliances responsible for the safe condition of those appliances and the safety of the appliance operators. **If in any doubt about electrical safety, contact a qualified electrician.**
- 1.1.3. Ensure that the insulation on all cables and on the appliance is safe before connecting it to the power supply. See 1.1.1. and 1.1.2. and use a Portable Appliance Tester.
- 1.1.4. Ensure that cables are always protected against short circuit and overload.
- 1.1.5. Regularly inspect power supply cables and plugs for wear or damage and check all connections to ensure that none is loose.
- 1.1.6. **Important:** Ensure that the voltage marked on the appliance matches the power supply to be used and that the plug is fitted with the correct fuse - see fuse rating at right.
- 1.1.7. **DO NOT** pull or carry the appliance by the power cable.
- 1.1.8. **DO NOT** pull the plug from the socket by the cable.
- 1.1.9. **DO NOT** use worn or damaged cables, plugs or connectors. Immediately have any faulty item repaired or replaced by a qualified electrician. When an ASTA/BS approved UK 3 pin plug is damaged, cut the cable just above the plug and **dispose of the plug safely.** Fit a new plug according to the following instructions (UK only).



- a) **Connect the GREEN/YELLOW earth wire to the earth terminal 'E'.**
- b) **Connect the BROWN live wire to the live terminal 'L'.**
- c) **Connect the BLUE neutral wire to the neutral terminal 'N'.**

d) **After wiring, check that there are no bare wires, that all wires have been correctly connected, that the cable outer insulation extends beyond the cable restraint and that the restraint is tight.**

Double insulated products, which are always marked with this symbol , are fitted with live (brown) and neutral (blue) wires only. To rewire, connect the wires as indicated above - **DO NOT** connect either wire to the earth terminal.

- 1.1.10. If an extension reel is used it should be fully unwound before connection. A reel with an RCD fitted is preferred since any appliance plugged into it will be protected. The cable core section is important and should be at least 1.5mm², but to be absolutely sure that the capacity of the reel is suitable for this product and for others which may be used in the other output sockets, we recommend the use of 2.5mm² section cable.

1.2 GENERAL SAFETY

- ⚠ WARNING!** Disconnect the heater from the mains power supply before carrying out any servicing or maintenance.
- ✓ Disconnect the heater from the power supply before handling or cleaning.
- ✓ Maintain the heater in good order and clean condition for best and safest performance.
- ✓ Maintain the cabinet in good condition. Replace or repair damaged parts. *Use genuine parts only. Unauthorised parts may be dangerous and will invalidate the warranty.*
- ✓ Locate heater in a suitable work area and keep area clean, tidy and free from unrelated materials. Ensure there is adequate lighting and keep the immediate area in front of the outlet grille clean.
- ✓ Only use the heater standing on its feet in the upright position, or with the wall mounting kit supplied.
- x **DO NOT** allow the heater to get wet as this may cause an electric shock, causing damage to the heater and possible personal injury.
- x **DO NOT** let power lead hang over an edge (i.e. table), or touch a hot surface, lie in heater hot air flow, or run under a carpet.
- x **DO NOT** cover heater when in use, and do not obstruct the air inlet and outlet grill (i.e. clothing, curtain, furniture, bedding etc).
- x **DO NOT** use heater on very deep pile carpets.
- x **DO NOT** use in bathroom, shower room, or in any wet or damp environments or where there is high condensation.
- x **DO NOT** operate the heater when you are tired or under the influence of alcohol, drugs or intoxicating medication.
- x **DO NOT** insert or allow objects to enter any openings of heater as this may cause an electric shock, fire or damage to heater.
- x **DO NOT** use the heater out of doors. These heaters are designed for indoor use only.
- x **DO NOT** use heater if the power cord, plug or the heater is damaged, or if the heater has become wet.
- x **DO NOT** use the heater where there are flammable liquids, solids or gases such as petrol, solvents, aerosols etc, or where heat sensitive materials may be stored.
- x **DO NOT** place the heater near items that may be damaged by heat.
- x **DO NOT** touch the outlet grille (top) of the heater during and immediately after use as it will be hot.
- x **DO NOT** allow children to touch or to operate the heater.
- x **DO NOT** place heater too close to yourself or any object, allow the air to circulate freely.
- x **DO NOT** use the heater for any purpose other than for which it is designed.
- ✓ Allow the unit to cool before storage. When not in use, disconnect from the mains power supply and store in a safe, cool, dry, childproof area.

2. SPECIFICATIONS

2.1. Specification

Power output (3 heat settings) Total 2000 watts
 Boosted output Turbo Fan (CD2003T only)
 Temperature adjustment Thermostat

Size L X W X H 670 x 180 x 410mm
 Weight5kg
 Voltage230 (50Hz)

3. ASSEMBLY

fig.1

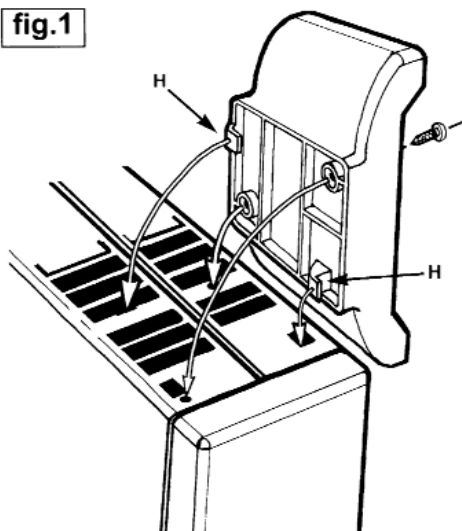
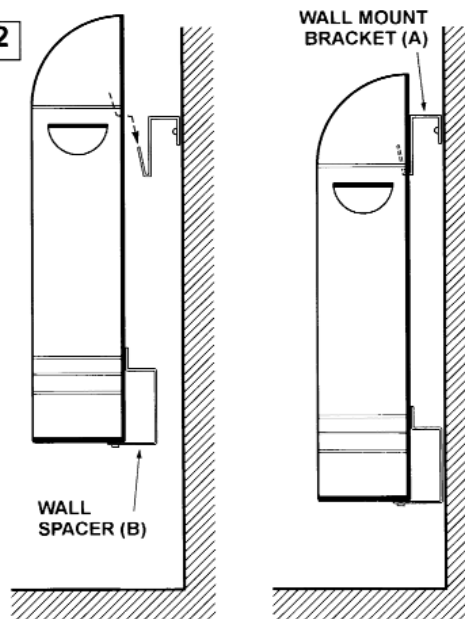


fig.2



- 3.1. The heater can be free standing on the feet provided or can be wall mounted using the optional wall mounting brackets.
- 3.2. **Mounting the feet. (Refer to fig.1.)** Turn the heater upside down and support it securely. (Take care not to damage the control panel door which may fall open.) Take one of the feet and identify the two hooks (H) and the screw holes as shown in fig.1. Hold the foot in the position shown in fig.1. and then lay it on the underside of the heater so that the two hooks drop into the slots indicated. Slide the foot towards the end cheek of the heater so that the two hooks pass underneath the metalwork. The screw holes in the foot should now be lined up with the screw holes in the metalwork. Secure the foot with the screws provided. Assemble the other foot to the heater in the same way.
- 3.3. **Wall mounting the heater.** The wall mounting kit consists of two wall mounting brackets as shown in fig.3. and two wall spacers as shown in fig.4. Locate the heater close to a mains supply socket. To eliminate excess cable lying on the floor it will be necessary to shorten the cable to one short loop. Remove the plug. Shorten the cable and rewire the plug as shown in section 1.1.9.
- 3.4. Decide on a mounting height for the heater allowing a minimum clearance of 100mm between the bottom of the heater and the floor.
- 3.5. Attach two round headed screws to the wall 320mm apart using appropriate fixings depending on whether the wall is solid or hollow. The head of the screw should be 10mm in diameter in order to fit the keyholes in the brackets. Leave an approximate 2mm space under the head.
- 3.6. Slide the brackets onto the screws. If they are loose remove the brackets and give the screw a 1/4 turn. Continue this process until the brackets are a snug fit.
- 3.7. Attach the two wall spacers to the rear of the heater at the bottom edge as shown in fig.4. (Identify the correct mounting holes by referring to the dimensions shown on fig.4.)
- 3.8. Present the heater to the wall as shown in fig.2. and allow the brackets (A) to enter the slots in the back of the heater and lower the unit until it rests against the wall.

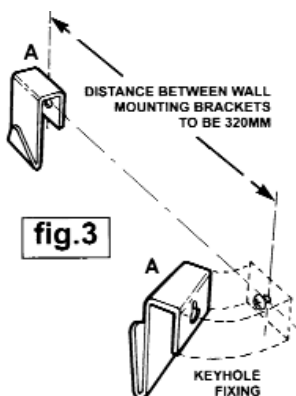


fig.3

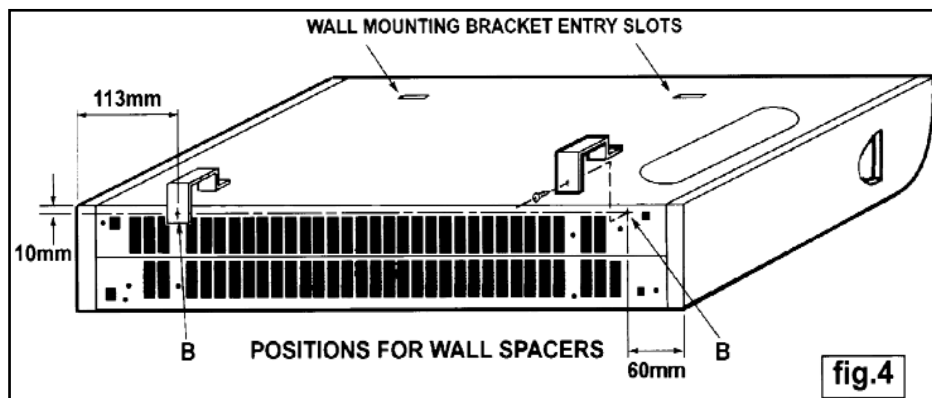


fig.4

4. HEATER OPERATION

4.1. Operating the heater.

- 4.1.1. Place the heater in a suitable position in the area you require to heat. Allow a minimum of 50cm between the heater and adjacent objects such as furniture etc.
- 4.1.2. Plug the heater into the mains supply.
- 4.1.3. Turn the thermostat knob to a high setting.

4.2. Selecting the heat output. (Refer to fig.5.)

- 4.2.1. Choose the required heat output by selecting the appropriate switch which will light up when pressed.

Low setting	(750W)	Select switch with one white bar printed on.
Medium setting	(1250W)	Select switch with two white bars printed on.
High setting	(2000W)	Select both switches.

4.3. Using the thermostat.

- 4.3.1. Once the required room temperature has been achieved, turn the thermostat slowly down in the direction of the min. setting until the heat output switch light goes out. The heater will then keep the surrounding air at the set temperature by switching on and off at intervals. You may reset the thermostat at any time.

4.4. Turbo fan feature (CD2003T only).

- 4.4.1. To boost the output of air at any temperature setting select the right hand switch which has a fan symbol above it. The fan can also be used to circulate cool air only by switching off the two heat setting switches.

4.5. To switch the unit off.

- 4.5.1. Turn the heat selecting switches off and unplug from the mains. Allow the unit to cool before handling or storage.

WARNING! DO NOT touch the top of the heater when in use as it becomes hot.

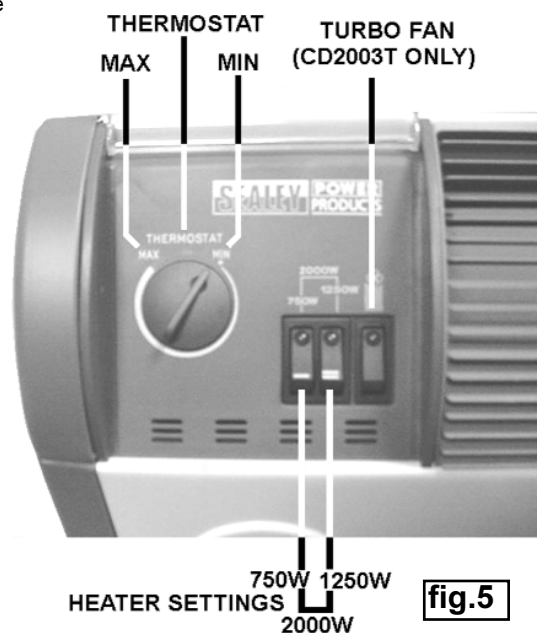
4.6. Safety cut-out feature.

- 4.6.1. The heater is fitted with a thermostatic safety cut-out which will automatically turn the heater off should the airflow become blocked or if the heater has a technical malfunction. Should this happen, switch the heater off and unplug it from the mains power supply.

WARNING! In such a case the heater will be very hot.

- x DO NOT connect the heater to the power supply again until the cause has been identified. Allow the heater to completely cool before handling and then check the air inlet and outlet for obstructions before attempting to switch the unit back on. If the cause is not obvious return the heater to your local Sealey dealer for servicing.

CD2003T



5. MAINTENANCE

- ✓ Before attempting any maintenance, ensure the unit is unplugged from the mains power supply and that it is cool.

- 5.1. Clean the unit with a soft dry cloth. DO NOT use abrasives or solvents.
- 5.2. Periodically check the air inlet and outlet to ensure the air way is clear.

Declaration of Conformity We, the sole importer into the UK, declare that the products listed here are in conformity with the following standards and directives.

CONVECTOR HEATERS
Models: CD2003 & CD2003T
 73.23/EEC Low Voltage Directive
 89/336/EEC EMC Directive
 CE Marketing Directive

The construction files for those products are held by the Manufacturer and may be inspected, by a national authority, upon request to Jack Sealey Ltd.



Signed by Mark Sweetman

2nd November 2005

For Jack Sealey Ltd. Sole importer into the UK of Sealey Power Products.

NOTE: It is our policy to continually improve products and as such we reserve the right to alter data, specifications and component parts without prior notice.

IMPORTANT: No liability is accepted for incorrect use of this product.

WARRANTY: Guarantee is 12 months from purchase date, proof of which will be required for any claim.

INFORMATION: For a copy of our catalogue and latest promotions call us on 01284 757525 and leave your full name, address and postcode.



Sole UK Distributor
 Sealey Group,
 Bury St. Edmunds, Suffolk.

01284 757500

01284 703534



www.sealey.co.uk



sales@sealey.co.uk