

# OPERATION MANUAL

## BATTERY GREASE GUN 21V Lithium ion battery

With Multi-Function LCD



Date of Issue: April 2020

### **WARNING**

Please read this manual prior to installation or use of this tool for your safety.  
Failure to follow instructions and safety precautions may result in serious injury  
Please keep this manual nearby for future reference.

# Contents

General safety instruction.....	2,3
Specifications.....	4
LCD Operation .....	5
Safety instructions for battery and charger.....	6
Charger Operation.....	7
Priming instruction.....	8,9
Explosive view &Part list.....	10,11
TROUBLESHOOTING.....	11

## INTENDED USE

The battery grease gun was exclusively designed to pump and dispense lubricant using 21V battery power. Do not exceed the maximum specification ratings.

## Safety instruction



### **WARNING!**

Read all safety warnings and instructions careful.

Failure to follow the warnings and instructions may result in electric shock, fire or serious injury.

### **1 Work area safety**

- 1.1 Keep work area clean and well lit. Cluttered or dark areas invite accidents.
- 1.2 Do not operate cordless grease gun in explosive atmosphere, such as in the presence of flammable liquids, gases or dust. It may ignite the dust or fumes.
- 1.3 Keep Children and bystanders away while operating the cordless grease gun. Distractions can cause you to lose control.

## **2 Electrical Safety**

- 2.1 Avoid body contact with earthed or grounded surfaces such as pipes, radiators, ranges and refrigerators. There is an increased risk of electric shock if your body is earthed or grounded.
- 2.2 Do not expose cordless grease gun to rain or wet conditions. Water entering will increase the risk of electric shock.
- 2.3 Be sure the Switch is released before loading the battery pack.

## **3 Personal safety**

- 3.1 Stay alert, watch what you are doing and use common sense when operating a cordless grease gun. Do not use a cordless grease gun while you are tired or under the influence of drugs, alcohol or medication, A moment of inattention while operating cordless grease gun may result in serious personal injury.
- 3.2 Dress properly. Do not wear loose clothing or jewelry. Keep your hair, clothing and gloves away from moving parts. Loose clothes, jewelry or long hair can be caught in moving parts.
- 3.3 Do not overreach. Keep proper footing and balance at all times. Proper footing and balance enables better control of the cordless grease gun in unexpected situations.
- 3.4 Use safety equipment. Cordless grease gun can develop with high pressure up to 10,000PSI(689bar).Always wear approved eye protection and gloves for protection when operating it. Keep hands clear of the exposed rubber portion of hose.

## **4 Safety Warning**

- 4.1 Do not use the cordless grease gun when the switch does not turn it on and off. Any cordless grease gun that cannot be controlled with the switch is dangerous and must be repaired.
- 4.2 Disconnect the battery pack from the cordless grease gun before making any adjustment, changing accessories.
- 4.3 When battery pack is not in use, keep it away from other metal objects, like paper clips, coins, keys, nails, screws or other small metal objects, that can make a connection from one terminal to another. Shorting battery terminals together may cause burns or a fire.
- 4.4 Under abusive conditions, liquid maybe ejected from the battery, avoid contact. Liquid ejected from the battery may cause irritation or burns. If contact accidentally occurs, flush with water, If liquid contact eyes, seek medical help.

## **5 Specific safety warnings of the parts**

- 5.1 Only use the battery pack with specifically designed for this cordless grease gun. Use of any other battery pack may create risk of injury and fire.
- 5.2 Recharge only with the battery charger specifically designed for this cordless grease gun. A charger that is not suitable for the battery pack may create a risk of fire when charging.
- 5.3 Extreme pressure may cause nozzle extension or whip hose to burst. Use only approved hoses and follow whip hose instructions and warnings.
- 5.4 When unpacking, check it to make sure all the parts shown on the parts list are included.

## Specifications:

<b>Model</b>	<b>Lithium ion battery grease gun</b>		
Voltage:	21V Max.	Operating temperature	-10 to 40°C
Maximum peak pressure	10000Psi(689bar)	Battery capacity	2.0Ah
<b>Two pump speed</b>			
Description	Pressure	Flow rate	LCD display
High out-put(H)	8000~10000 Psi(689bar)	130~150 g/min	H
Low out-put(L)	4000~6000 Psi(413bar)	80~100 g/min	L
<b>Accessories</b>			
Part name	Description		
Battery pack	Lithium-ion 2.0Ah (21V Max.)		
Battery charger	GS/BS/SAA 220-240VAC input UL 120VAC input Charge time 60-120min		
Grease tube	400g(14oz)		
Outlet hose	42inch/10000 Psi(689bar)		
Outlet coupler	4 jaws		
Blow case	Plastic		

**Note:** The declared values are for reference only, during actual use of the grease gun can differ from the declared values depending on the ways in which the tool is used.

### WARNING!



Do not continue to hold down trigger if grease gun is stalled. This could damage the motor or cause fire.

If damaged, please contact with us for tool service before using.

Use only accessories that provided with this tool. Use of accessories that are not provided with this tool may create risk of injury.

Do not exceed the maximum specification ratings under any circumstances.

## LCD Operation

### Control center

Electrical protection avoid high current draw ( more than 40A). The circuit board will shut down the circuit.

LED showing battery status , pumping speed and grease output.

LED showing grease output.

### Operation

#### 2-Speed selection

Pressing button "B" to select the mode of High (H) or low(L) Output (See Specifications).

#### LCD display and light

Trigger turns on/off the LCD display and grease gun.

Press "A" turns on/off the work light.

LCD Display will turn off after 20seconds with no action with the grease gun.

#### Grease flow monitoring

Pressing "A" with 8~10seconds to change the grease output measurement unit from Oz to Gram(Gram to OZ).

Flashing red LCD warning the grease is used up. Replace grease cartridge or refill tube.

Prime the grease gun after each refill or grease cartridge changed. To prime, operate the gun until grease flows from hose. Use vent valve to expel air pockets..

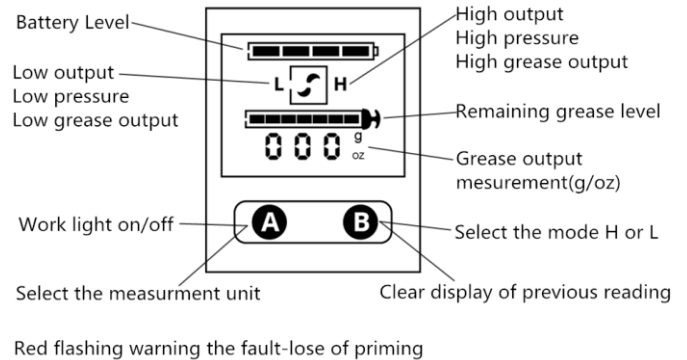
#### Recharge the battery

LCD display the battery level is low. Recharge the battery.

#### Clear reading

Press button "B " for 8~10seconds to clear display of the previous reading.

Instruction of the multi-function LCD



## Safety instructions for battery and charger

Failure to comply may result in serious injury or death.

### Warning of battery

Do not probe with conductive objects.

Do not charge damaged battery, replace it immediately

Never attempt to disassemble battery for any reason.

Do not store in locations where the temperature may exceed 40°C such as outside sheds or metal buildings in the summer.

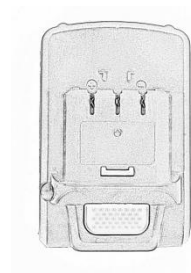
Charge only at ambient temperatures between 10°C to 40°C.

Charge only using the charger provided with this tool.

Separate collection when disposing of batteries. Do not dispose with normal household waste.

Do not expose battery to fire, spark or flame. Battery liquid may burn.

Do not use this battery with any other tool.



### Warning of charger

The charger is intended for indoor use only.

Only use for charging the battery with this tool.

Do not expose charger to rain, snow or frost.

Do not charge battery in damp or wet location.

Do not abuse cord, do not attempt to repair power cord.

Do not operate charger with damaged cord and plug.

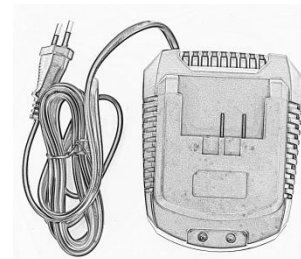
Do not attempt to disassemble charger.

Unplug charger from outlet before any cleaning to avoid electric shock.

Do not cover the charger and battery with anything while charging.

Charge battery only at ambient temperatures between 10°C to 40°C.

Do not use this charger to charge other battery.



## Charger Operation

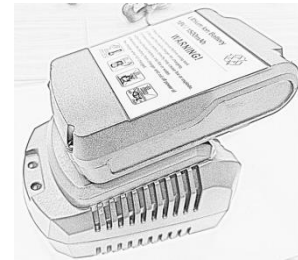
Before using your tool for the first time, the battery should be fully charged. If the battery pack is installed in the tool, remove it and follow the charging procedure below.

### Charging procedure

Make sure **Input voltage is the same as the shown on the charger specification.**

1. Plug the charger into outlet before inserting battery pack.
2. Insert battery pack into charger. Indicator light on charger changes show the charging process

- Solid Green light on, Red light off --Charger power is on without battery pack inserted.
- Solid Red light on, Green light off --Battery is charging.
- Solid Green light on, Red light off -- The charging is complete.
- ..... Red light flashing at a fast rate, replace battery.  
Charger detected a weak or damaged battery,  
Stop charging battery.



3. Disconnect charger from power source and remove battery pack from charger after full charged.

#### **CAUTION!**

Charging the battery in clean and dry location with temperature is between 10°C to 40°C.

Battery temperature will increase during and shortly after used. Battery may not accept a full charge if it is charged immediately after used. Allow the battery pack to cool to room temperature before charging for best charging.

#### **CAUTION!**

##### **Battery Maintenance**

The battery power will be gradually decreased when not in use.

**Please fully charge the battery each month of storage for normal battery lifespan.**

## Priming instruction

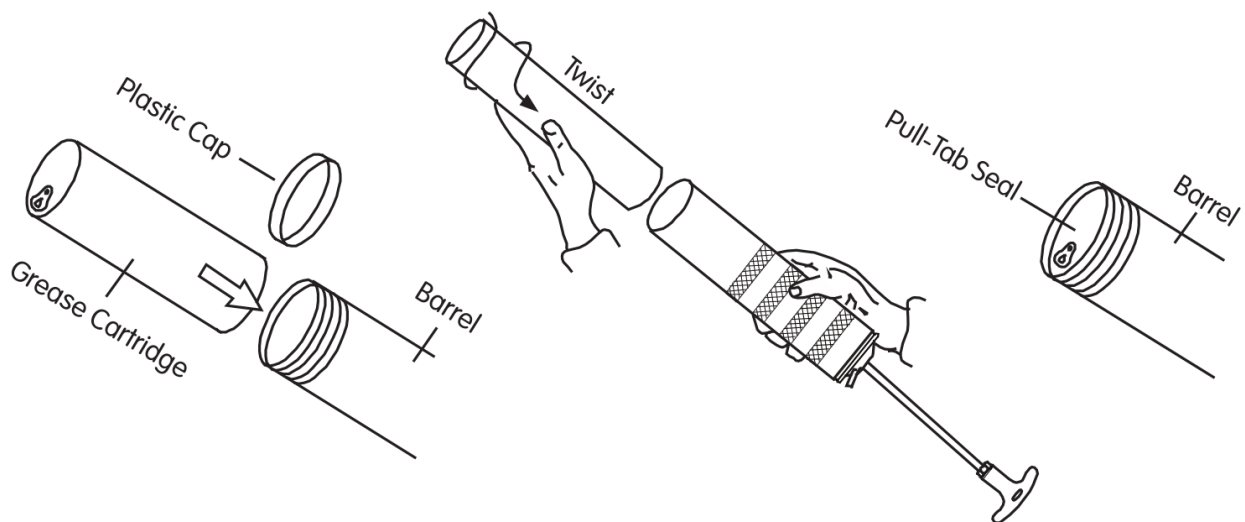
**Notice:** Always unscrew the vent valve when replacing cartridge. This will allow air to escape from cartridge and prime grease gun.

**Notice:** Remove air pocket! Air pocket in the cartridge will prevent grease from being pumped and cause the grease gun to lose its prime. Unscrew the vent valve several times to remove small air pockets trapped in this area.

### Install a Grease Cartridge

- 1) Unscrew the grease barrel assembly from the cordless grease gun.
- 2) Pull back on the follower handle until the follower rod is fully extended and latch the follower rod groove into the slot on the tube end cap of the Grease Tube.
- 3) Remove the plastic cap from the grease cartridge and twist cartridge into the barrel.
- 4) Remove the pull tab seal from grease cartridge.
- 5) Screw the grease barrel assembly with the new cartridge inside back to the grease gun head.
- 6) Release follower rod from slot to allow it to go forward. Purge air from assembly.  
See air purging instruction.

**Notice: Reset display reading after purging air.**





### TO FILL THE GUN FROM BULK CONTAINER

- 1) Remove grease tube from the gun.
- 2) Insert the open end of the grease tube assembly into lubricant. Slowly pull the follower handle back while pushing the grease tube assembly deeper into the lubricant to prevent air pockets from being pulled into the grease tube assembly.
- 3) When the follower rod is fully extended, pull it sideways to latch the rod groove into the keyhole slot in the grease tube assembly cap.
- 4) Screw the Grease Tube into the gun and release the follower rod from the slot on the end cap of the tube to allow the follower rod go forward.
- 5) Clean any excess grease of the gun body.
- 6) Purging air from assembly.(See air purging instruction)



**Notice: Reset display reading after purging air.**

### TO FILL THE GUN WITH A FILLER PUMP

- 1) A bulk filler fitting will need to be installed in the Grease Gun Head Cap (not included).
- 2) Replace the pipe plug in the head cap with the bulk loader fitting.
- 3) Engage the follower rod with the follower by rotating the follower handle.
- 4) Insert the gun filler nipple into the filler pump socket.
- 5) Operate the filler pump to fill the container. When the follower rod groove is exposed, the grease tube assembly is filled.
- 6) Disengage the follower rod from the follower by rotating the follower handle. Push the follower rod into the grease tube assembly.

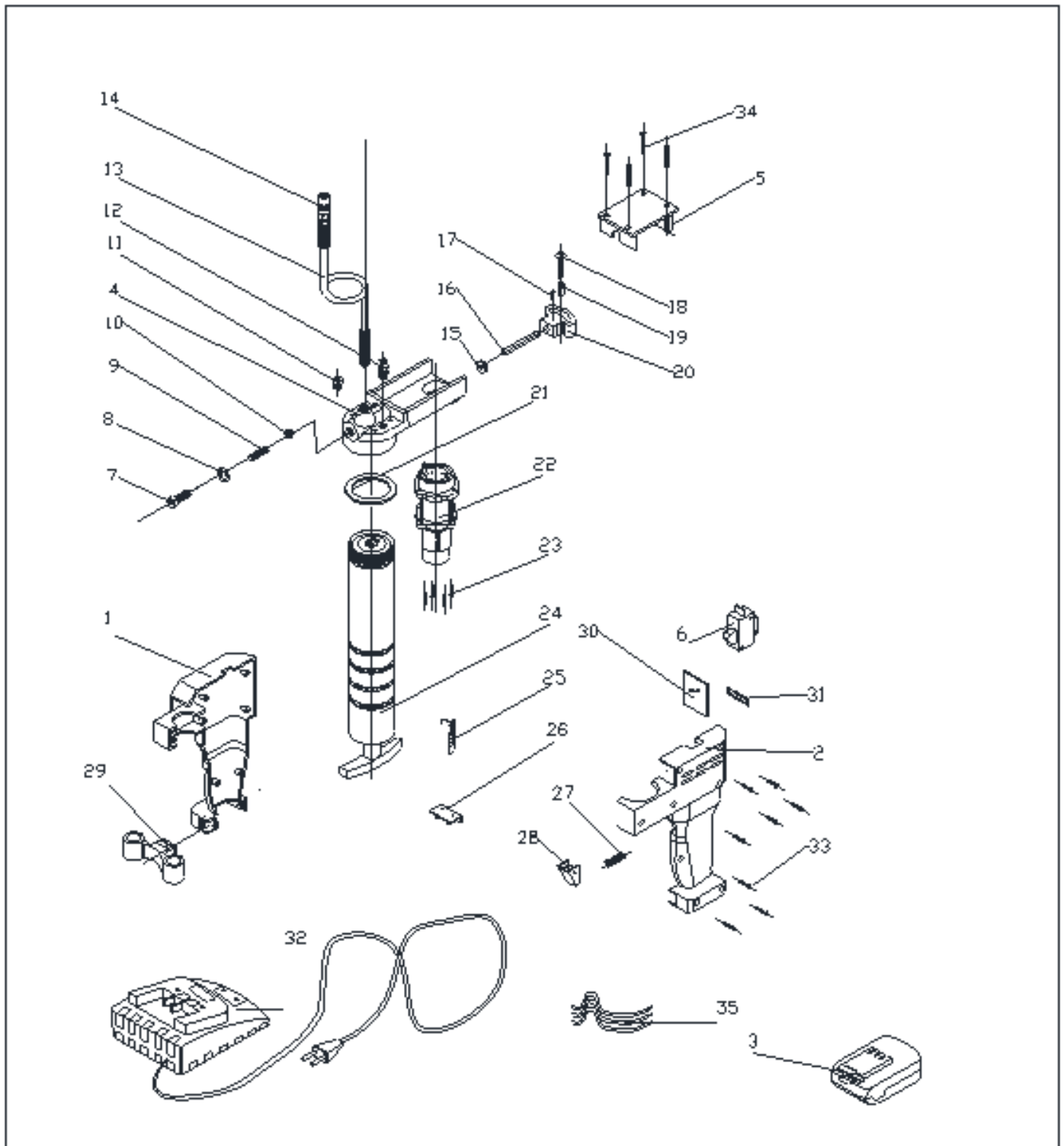
**Do not overfill!**

**Notice: Reset display reading after purging air.**

### TO EXPEL AIR POCKETS (Pressure relief valve.)

- 1) Free the follower rod from the grease tube assembly cap and unscrew the vent valve when pushing the follower rod forward.
- 2) Unscrew vent valve several times to operate gun until trapped air is expelled. Push the follower rod into the grease tube assembly.

# Explosive view & Part list



## PARTS LIST

NO.	Description	NO.	Description	NO.	Description	NO.	Description
1	Left Cover	10	Ball	19	Sleeve	28	Trigger
2	Right Cover	11	Filler valve	20	Ejector pad	29	Hose holder
3	Battery pack	12	Vent valve	21	Tube seal	30	PCB
4	Pump	13	Hose	22	Motor& gearbox	31	Double button
5	Cover	14	Nozzle	23	Screw	33	Tapping screw
6	Micro Switch	15	Seal ring	24	Tube	34	Long screw
7	Nut	16	Plunger	25	Current protection	35	Wire
8	Seal	17	Set screw	26	Plug		
9	Spring	18	Screwed pin	27	Spring		

## TROUBLESHOOTING

Condition	Possible Cause	Corrective Action
Motor fails to run	Battery needs charging. Faulty wiring to motor.	Recharge battery. Remove battery, disassemble handle and check wiring for loose connection.
Pressure Relief Valve opens to discharge grease	Blocked Line. Blocked Bearing Blocked Grease fitting	Check lines, brazing and grease fitting to remove or clean obstructions.
Grease gun fails to dispense grease	Grease tube assembly is out of grease. Loss of prime.	Check that grease tube assembly has grease. Repeat priming operation.
Grease gun continues to lose prime.	Air may be trapped in several locations in container after bulk filling. Follower may be binding in Grease tube assembly.	Empty grease tube assembly, refill and repeat priming instructions. Replace grease tube assembly.
Battery fails to take a Charge.	Charger may not have power. Battery may be bad.	Check that receptacle has power. Replace battery.

