



# BICYCLE TENT COVER

MODEL NO: **BST3**

Thank you for purchasing a Sealey product. Manufactured to a high standard, this product will, if used according to these instructions, and properly maintained, give you years of trouble free performance.

**IMPORTANT:** PLEASE READ THESE INSTRUCTIONS CAREFULLY. NOTE THE SAFE OPERATIONAL REQUIREMENTS, WARNINGS & CAUTIONS. USE THE PRODUCT CORRECTLY AND WITH CARE FOR THE PURPOSE FOR WHICH IT IS INTENDED. FAILURE TO DO SO MAY CAUSE DAMAGE AND/OR PERSONAL INJURY AND WILL INVALIDATE THE WARRANTY. KEEP THESE INSTRUCTIONS SAFE FOR FUTURE USE.



Refer to instruction manual



Wear eye protection



Wear protective gloves

## 1. SAFETY

- ✓ This is a temporary structure and is not recommended as a permanent structure.
- ✓ Choose your shelter's location carefully. Check for overhead utility lines, branches, etc. **DO NOT** install near roofs or other structures that may shed snow, ice or excessive run-off onto your shelter. Keep away from electrical wires!
- ✓ Have an overview of all parts before attempting installation. Make sure all components are available.
- ✗ **DO NOT** use this product in environments for which it is not intended (i.e. extreme cold, high winds, extreme heat, heavy rainfall, etc).
- ✓ Always wear safety glasses when assembling this product. Wear gloves when working with tubing to prevent cuts or abrasions.
- ❑ **WARNING!** Anchors must be used with all shelters. Covers should **NOT** be installed until it has been properly anchored to the ground.
- ✓ Proper anchoring and keeping cover tight and free of snow and debris, is the responsibility of the consumer. Damages caused by improper anchoring are not covered under warranty.
- ❑ **WARNING!** Keep all flame and heat sources away from the shelter fabric. The fabric will burn if left in continuous contact with a flame source.
- ✗ **DO NOT** use open flames or cooking or heating devices inside or in close proximity to the product, including all types of stoves, gas heaters, gas lanterns, citronella torches, mosquito coils, etc.
- ❑ **WARNING!** In order to reduce risk of burning and avoid damage, **DO NOT** cook, smoke, refuel or use any open flame devices in or around the shelter, store flammable liquids (gasoline, kerosene, propane, etc.) in the shelter, operate gas powered equipment in or around the shelter.
- ✓ Keep open flames a safe distance away from the shelter.
- ✗ **DO NOT** use hard-edged tools or instruments, such as rakes or shovels, to remove snow. These can cause punctures to the cover.
- ❑ **WARNING! NEVER** start the engine of any vehicle or machine inside a closed shelter. Ensure that there is adequate ventilation for starting engines and for any work with paints, cleaners, etc.
- ✗ **DO NOT** use bleach, alkaline or harsh detergents for cleaning. Doing so will damage the polycarbonate material. Soap and warm water are recommended.
- ✓ This temporary shelter is intended to offer protection from damages caused by the sun, light rain, light snow, tree sap, bird and animal excrement. **DO NOT** use it to shield goods from high winds, heavy snow or ice storms. Only use it for its intended use.
- ✗ **DO NOT** assemble in strong winds.

## 2. INTRODUCTION

Plenty of room to accommodate three bicycles, as well as motorcycles, lawnmowers, garden tools or outdoor equipment. 210D Oxford fabric, PU coated and fully taped internal seams reduce the possibility of bicycles getting wet, or fading from UV. 22mm Spray painted steel pipe frame with stainless steel brackets. Can be secured with earth pegs or permanently fixed with ground bolts (both supplied). Easily accessible via the large zipped door, which can be conveniently rolled up and held back with the hook-and-loop straps provided.

## 3. SPECIFICATION

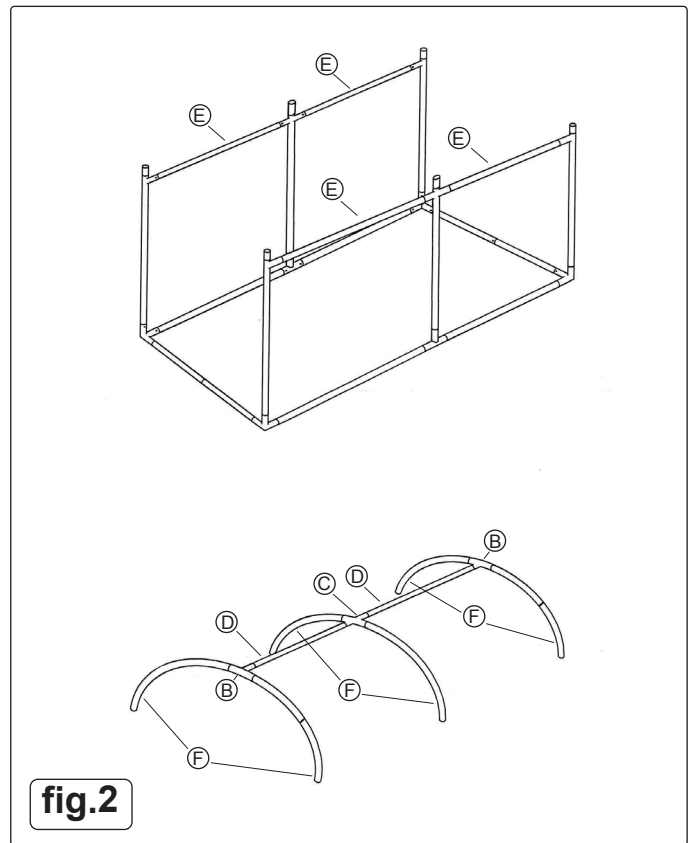
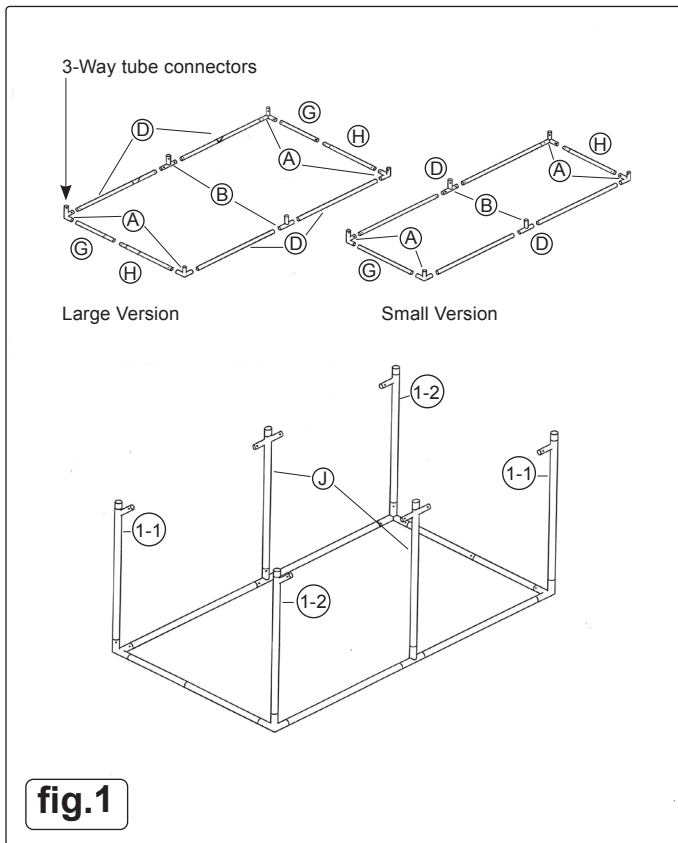
MODEL NO:	BST3
Dimensions (L x W x H):	L 2200 x W 1590 x H 1670mm
Nett Weight:	13.94kg

## 4. CONTENTS

A	4	D	6	G	2	1-2	2	L	1
B	4	E	4	H	2	J	2	M	16
C	1	F	6	1-1	2	K	8		

## 5. ASSEMBLY

- 5.1. Check you have each part that is needed to assemble the bicycle tent, if any part is missing contact place of purchase, or contact Sealey Service Centre.
- ✓ Lay the parts out in their groups, this makes the build easier. The parts are to assemble the large version.
- ✓ See instructions on the next page for a step by step guide to assemble the bicycle tent.



**5.2. BASE ASSEMBLY**

5.2.1. Start by assembling the base together by connecting the tubes, connectors, and end pieces. Refer to fig.1.

**5.3. MIDDLE SECTION**

5.3.1. Assemble the uprights into base frame using the diagram in fig.1 as reference. Add the horizontal tubes fig.2.

**5.4. ROOF SECTION**

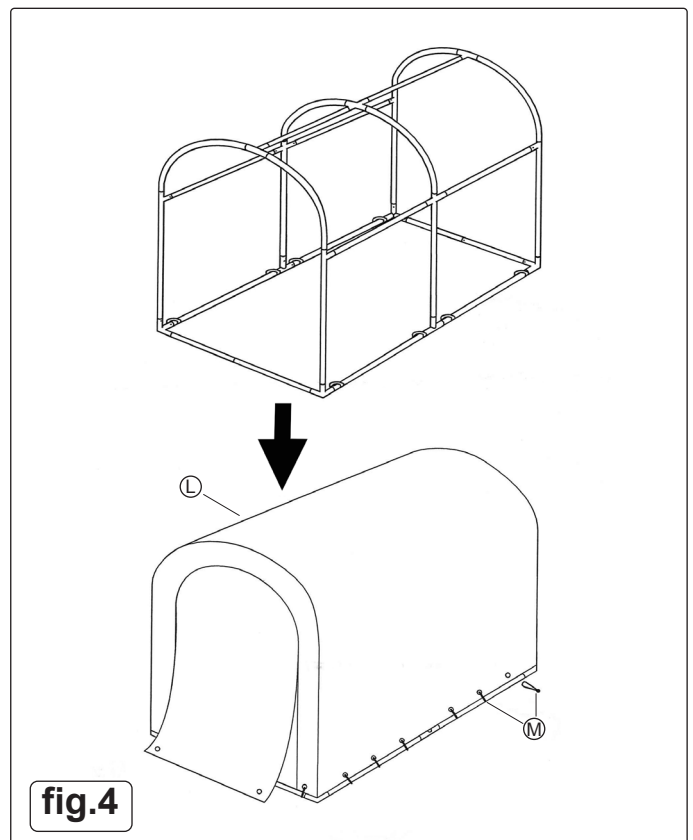
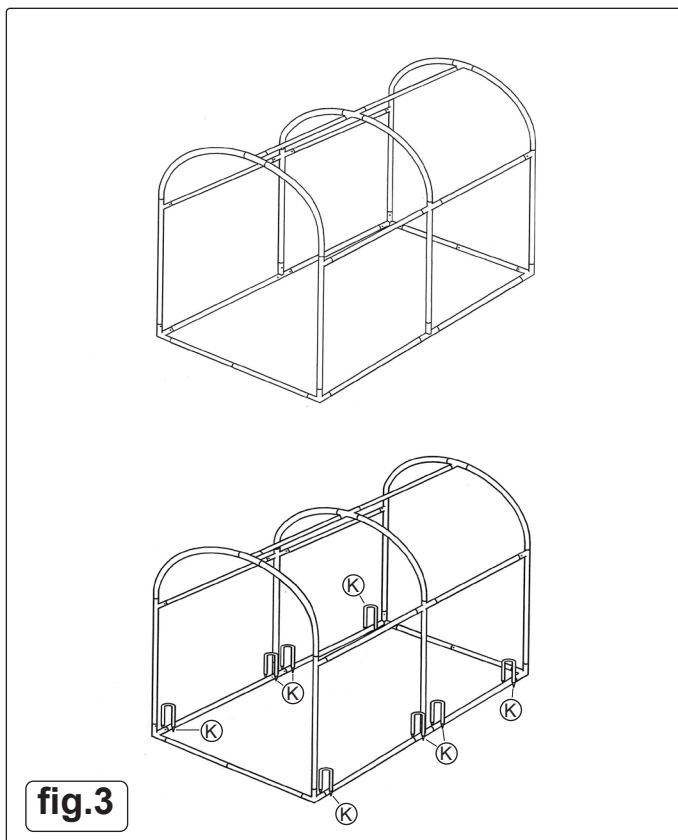
5.4.1. Assemble the roof section using the curved, straight tubes, and connectors. See fig.2. Attach the top frame to the rest of the frame. Once assemble it should look like the top illustration in fig.3.

**5.5. FIXING BICYCLE TENT TO THE GROUND**

5.5.1. Use pegs 'K' to secure the bicycle tent to the ground. See fig.3 for reference.

**5.6. ATTACHING COVER TO FRAME (2 people required)**

5.6.1. Attach the cover 'L' to the frame, use the elastic toggles through the eyelets in the base of the cover, as shown in fig.4.



**ENVIRONMENT PROTECTION**

Recycle unwanted materials instead of disposing of them as waste. All tools, accessories and packaging should be sorted, taken to a recycling centre and disposed of in a manner which is compatible with the environment. When the product becomes completely unserviceable and requires disposal, drain any fluids (if applicable) into approved containers and dispose of the product and fluids according to local regulations.

**Note:** It is our policy to continually improve products and as such we reserve the right to alter data, specifications and component parts without prior notice.

**Important:** No Liability is accepted for incorrect use of this product.

**Warranty:** Guarantee is 12 months from purchase date, proof of which is required for any claim.



REGISTER YOUR PURCHASE HERE

**Sealey Group, Kempson Way, Suffolk Business Park, Bury St Edmunds, Suffolk. IP32 7AR**

 **01284 757500**

 **sales@sealey.co.uk**

 **www.sealey.co.uk**