

Thank you for purchasing a Sealey product. Manufactured to a high standard this product will, if used according to these instructions and properly maintained, give you years of trouble free performance.

⚠ IMPORTANT: PLEASE READ THESE INSTRUCTIONS CAREFULLY. NOTE THE SAFE OPERATIONAL REQUIREMENTS, WARNINGS, AND CAUTIONS. USE THIS PRODUCT CORRECTLY, AND WITH CARE FOR THE PURPOSE FOR WHICH IT IS INTENDED. FAILURE TO DO SO MAY CAUSE DAMAGE AND/OR PERSONAL INJURY AND WILL INVALIDATE THE WARRANTY.

1. SAFETY INSTRUCTIONS

- WARNING! The BS8 & BS9 are for use with 4 & 5 door vehicles.**
- DO NOT** use the cycle carrier if any parts are missing or damaged as this may cause failure or possible personal injury.
- WARNING!** Due to the variety in design of vehicles & cycles, it is the users full responsibility to ensure no damage occurs whilst using this cycle carrier. Correct attachment of carrier to a vehicle is therefore critical and is beyond control of the manufacturer, distributor, or supplier.
- WARNING!** The user must secure the carrier and any cycles to be carried properly, checking the security frequently when in use.
- WARNING!** Remove any loose objects from the bikes i.e pumps, bottles etc.
- WARNING!** Avoid any protrusions beyond the side of the car as these may present a risk of injury to passers-by.
- DO NOT** use the cycle carrier for any purpose other than for which it is designed.
- DO NOT** strap any other items to the carrier, only bicycles.
- WARNING!** Drive carefully - Be aware of cross winds, sudden braking or hard cornering, reduce speed accordingly when using carrier.
- WARNING!** This carrier is designed for temporary use only, remove when not in use or before going through a car wash.
- Before every use check the carrier for security of fittings or any sign of wear and tear. Replace any worn or damaged parts.
- Check the load is stable before transit.
- Be cautious the load height and restrictions of the route(s) you will be taking with the carrier.
- WARNING!** Be wary of parts of the carrier protruding from the boundaries of the vehicle.
- DO NOT** exceed the weight limit stated in the carrier's specifications.
- WARNING! Remember the driver of the vehicle is responsible for the security and safety of the load carried.**

2. INTRODUCTION & SPECIFICATIONS

BS8

Roof mounted cycle rack for use with Sealey BS9 and other makes of roof bars. The safest and most secure way for transporting bikes, leaves access free to the vehicle boot. Quick and easy to fit and is suitable for most mountain and racing bikes.

BS9

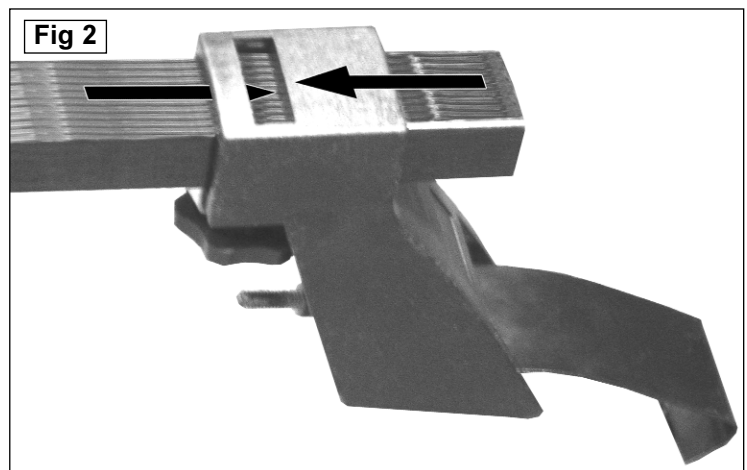
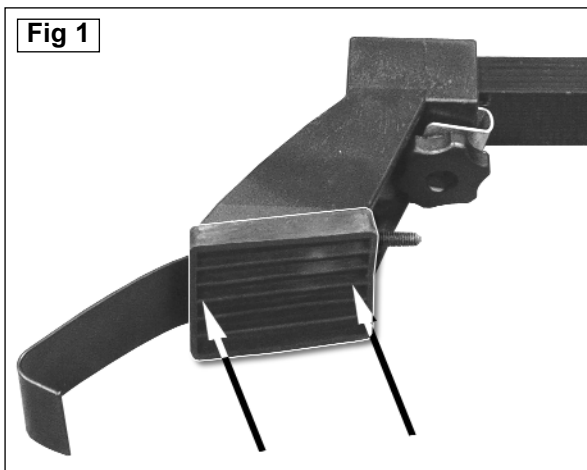
Universal pair of roof bars for use with BS8 cycle rack. Also suitable for securing other loads to vehicle roof. Quick and easy to install and will fit most vehicles.

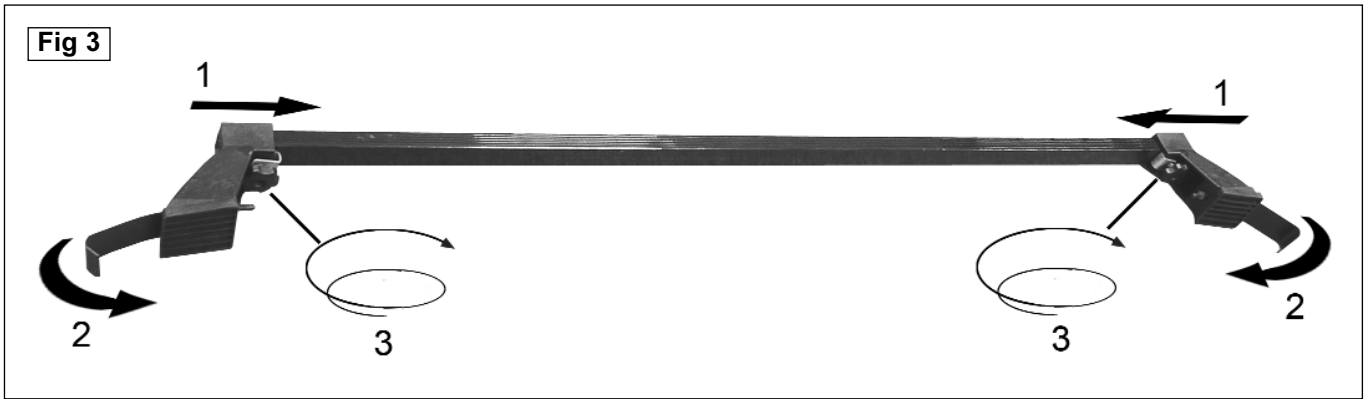
Capacity:90kg (pair) Length:1200mm

3. ASSEMBLY

- Unpack products and check contents against the lists above. Should there be any damaged or missing parts contact your supplier immediately.**

- 3.1.1 Secure the rubber pads to the bases of each bracket (fig 1).
- 3.1.2 Slot a bracket onto each end of the bars (fig 2).
- 3.1.3 Ensure the rubber pads remain in place and rest the roof bars width-ways across the roof of the vehicle situating the hooks into the apertures of the door frames, adjust brackets to suit the width of the vehicle (fig 3) and tighten the tightening screws.





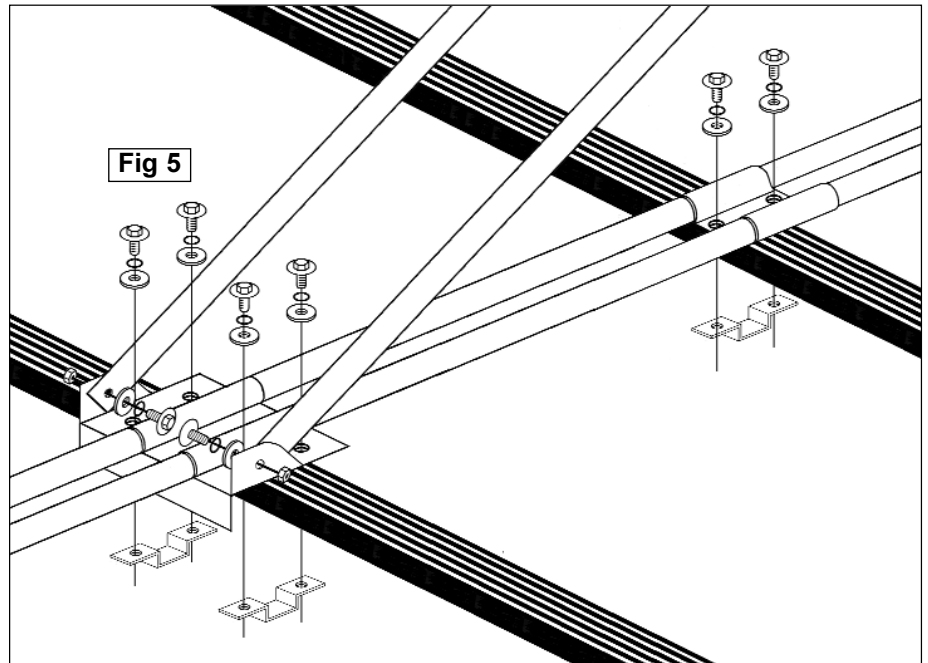
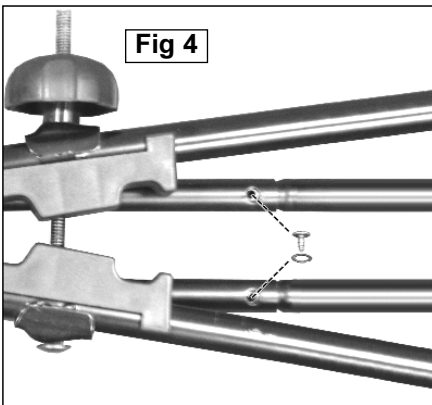
The cycle carriers main frame comes already assembled.

However, the following parts must be correctly fitted together.

3.2.1 Slot the two main parts of the cycle carrier together, lining up the screw holes.

3.2.2 Insert securing bolts through the screw holes (fig 4).

3.2.3 Locate the cycle carrier onto the roof bars, ensure the locating ridges line up with the roof bars and secure with brackets and securing screws (fig 5).



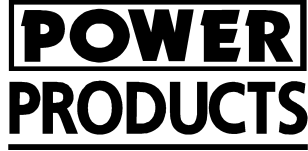
4. PLACING CYCLES ON CARRIER

- 4.1 Placing a bicycle onto the carrier is a two person task, first place the bicycle onto the carrier, placing the tyres into the tyre-mounts and the crossbar through the crossbar-clip.
- 4.2 Whilst one person secures the bicycle, the other will need to secure bicycles to the carrier with the supplied ties and tighten the crossbar-clip. Ensure that the bicycles do not come in contact with the vehicles bodywork.
- 4.3 For additional security place the bar/strap fittings on the ends of the roof bars and thread the strap through the bar/strap fitting on each side and over the bicycle.
- 4.4 When you have secured the bicycle on the carrier, check and re-tighten all the straps and tie off the surplus lengths of strap for extra security and to prevent the loose ends flapping.

WARNING! Remember the driver of the vehicle is responsible for the security and safety of the load carried. Check the tension of all straps and security of the bicycles frequently during your journey.

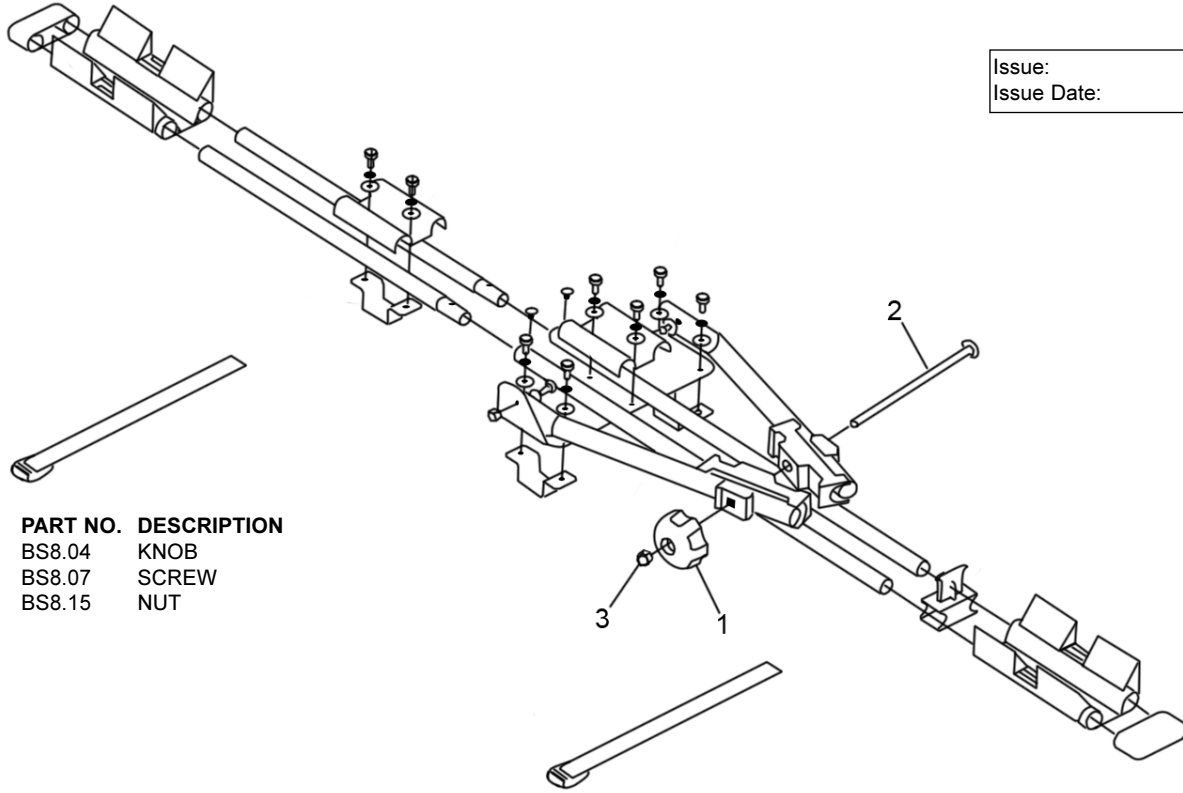
NOTE: It is our policy to continually improve products and as such we reserve the right to alter data, specifications and component parts without prior notice. **IMPORTANT:** No liability is accepted for incorrect use of this equipment. **WARRANTY:** Guarantee is 12 months from purchase date, proof of which will be required for any claim. **INFORMATION:** For a copy of our latest catalogue and promotions call us on 01284 757525 and leave your full name and address, including postcode.

SEALEY POWER PRODUCTS	Sole UK Distributor, Sealey Group, Bury St. Edmunds, Suffolk.		
01284 757500	01284 703534	www.sealey.co.uk	sales@sealey.co.uk



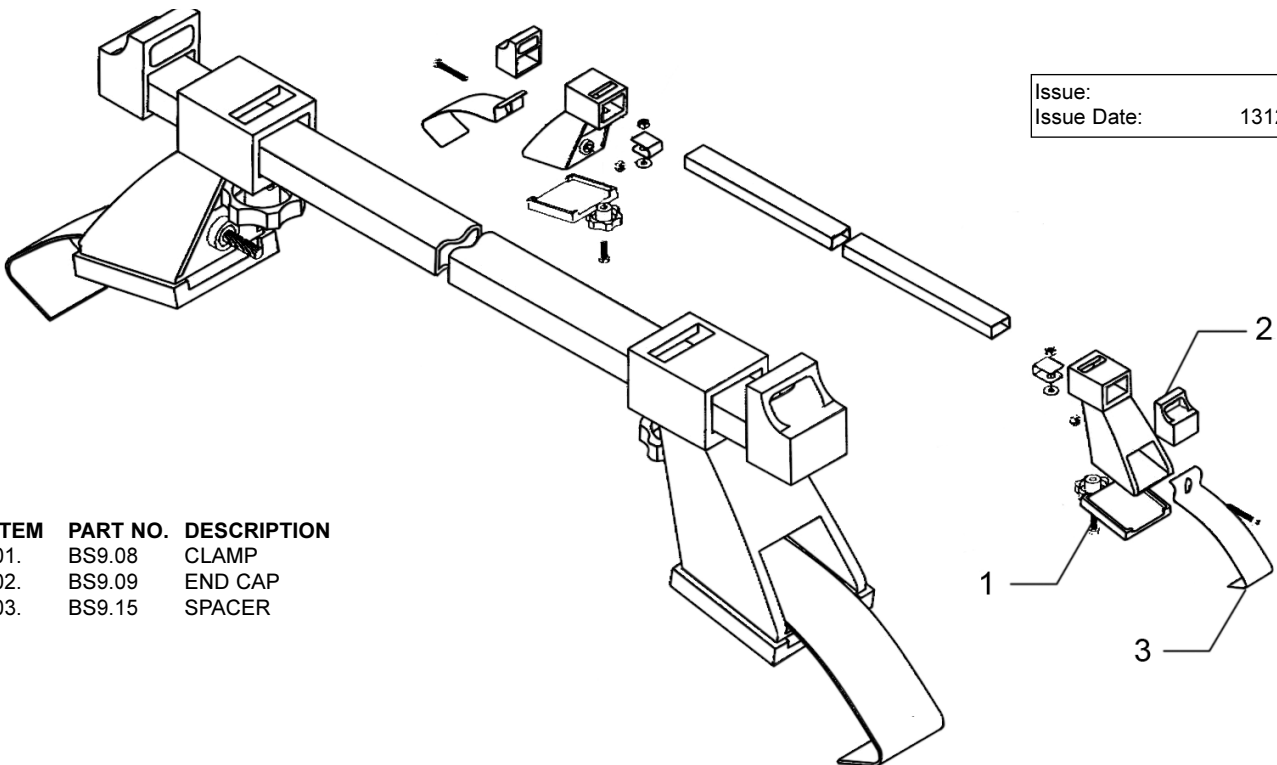
PARTS LIST FOR:
**ROOF MOUNTED CYCLE CARRIER
 & ROOF BARS**
 MODEL: **BS8 & BS9**

Issue:	1
Issue Date:	131204



ITEM	PART NO.	DESCRIPTION
01.	BS8.04	KNOB
02.	BS8.07	SCREW
03.	BS8.15	NUT

Issue:	1
Issue Date:	131204



ITEM	PART NO.	DESCRIPTION
01.	BS9.08	CLAMP
02.	BS9.09	END CAP
03.	BS9.15	SPACER

NOTE: It is our policy to continually improve products and as such we reserve the right to alter data, specifications and component parts without prior notice. **IMPORTANT:** No liability is accepted for incorrect use of this equipment. **WARRANTY:** Guarantee is 12 months from purchase date, proof of which will be required for any claim. **INFORMATION:** For a copy of our latest catalogue and promotions call us on 01284 757525 and leave your full name and address, including postcode.

	Sole UK Distributor, Sealey Group, Bury St. Edmunds, Suffolk.		
01284 757500	01284 703534	www.sealey.co.uk	sales@sealey.co.uk