



# JANITORIAL TROLLEY

MODEL NO: **BM30.V2**

Thank you for purchasing a Sealey product. Manufactured to a high standard, this product will, if used according to these instructions, and properly maintained, give you years of trouble free performance.

**IMPORTANT:** PLEASE READ THESE INSTRUCTIONS CAREFULLY. NOTE THE SAFE OPERATIONAL REQUIREMENTS, WARNINGS & CAUTIONS. USE THE PRODUCT CORRECTLY AND WITH CARE FOR THE PURPOSE FOR WHICH IT IS INTENDED. FAILURE TO DO SO MAY CAUSE DAMAGE AND/OR PERSONAL INJURY AND WILL INVALIDATE THE WARRANTY. KEEP THESE INSTRUCTIONS SAFE FOR FUTURE USE.



Refer to instructions

## 1. SAFETY

- ❑ **WARNING!** Ensure Health & Safety, local authority, and general workshop practice regulations are adhered to when using this trolley.
- ✓ Always load evenly with the centre of gravity of the load as near centre of the trolley as possible.
- ✗ **DO NOT** overload the trolley - see specifications.
- ✓ Use the trolley in a suitable work area.
- ✓ Keep the work area clean, uncluttered and ensure there is adequate lighting.
- ✓ Keep the trolley clean and tidy.
- ✗ **DO NOT** use the trolley for any purpose other than that for which it is designed.
- ✗ **DO NOT** stand on the trolley, use it as a ladder or allow others to ride on the trolley.
- ✗ **DO NOT** leave unattended, especially when loaded, unless wheels are chocked or the trolley otherwise secured.
- ✗ **DO NOT** use trolley on uneven ground and do not run over curbs or steps - use a ramp.
- ✗ **DO NOT** use trolley if any part is significantly damaged, paying particular attention to the wheels.
- ✓ Keep children and unauthorised persons away from the work area.

## 2. INTRODUCTION

Robust unit fitted with two castors and two plastic wheels. Designed to accommodate mop buckets, brooms, brushes, cleaning agents and other necessary items. Fitted with hooks to hang refuse bags and lid to contain any odours. 76L Waste Bag.

## 3. SPECIFICATION

Model no:	<b>BM30.V2</b>
Dimensions (W x D x H):	490 x 1200 x 1000mm

## 4. CONTENTS

**Parts:** base assembly with wheels and casters x1, side upright x2, side upright x2, back upright x1, middle shelf x1, top shelf x1, Handle x1, trash bag x1, 1" bolt x11, 1 1/2" bolt x11

**Tools required:** 3/16" wrench (included), rubber mallet

## 5. ASSEMBLY



Place base this way up on a firm even surface.

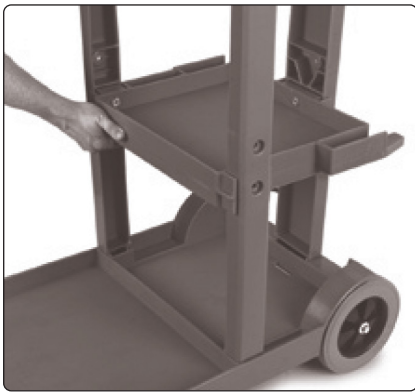


Insert the short end of the two side upright into slots on the base as shown and tap into place with mallet.



Insert the short end of the back upright into slot as shown and tap into place.

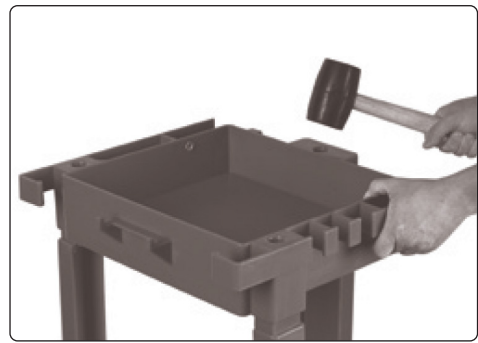
Face "V" groove inside and down in relation to the base



Slide middle utility shelf onto uprights as shown. Choose either high or low position and slide post on each side of shelf into corresponding slot on each upright. Tap into place with the mallet.



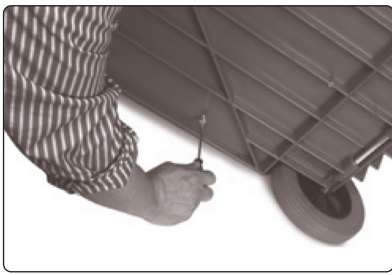
Use 1<sup>1</sup>/<sub>2</sub>" bolts inserted from the outside to secure the shelf in place.



Place top shelf onto upright ends and tap into place.



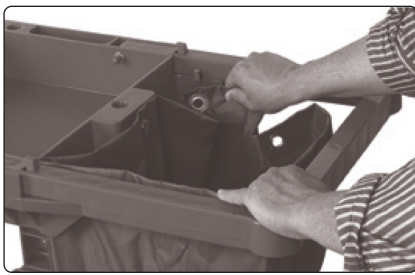
Use 1" bolts inserted from top to lock shelf into place.



Turn cart on side and secure uprights to base using 1" bolts.



Place "U" shaped bag rack into slots and use 1" bolts inserted from outside to lock into place.



Place bag onto hooks inside "U" shaped frame.



#### ENVIRONMENT PROTECTION

Recycle unwanted materials instead of disposing of them as waste. All tools, accessories and packaging should be sorted, taken to a recycling centre and disposed of in a manner which is compatible with the environment. When the product becomes completely unserviceable and requires disposal, drain any fluids (if applicable) into approved containers and dispose of the product and fluids according to local regulations.



**Note:** It is our policy to continually improve products and as such we reserve the right to alter data, specifications and component parts without prior notice. Please note that other versions of this product are available. If you require documentation for alternative versions, please email or call our technical team on [technical@sealey.co.uk](mailto:technical@sealey.co.uk) or 01284 757505.

**Important:** No Liability is accepted for incorrect use of this product.

**Warranty:** Guarantee is 12 months from purchase date, proof of which is required for any claim.

Sealey Group, Kempson Way, Suffolk Business Park, Bury St Edmunds, Suffolk. IP32 7AR



01284 757500



[sales@sealey.co.uk](mailto:sales@sealey.co.uk)



[www.sealey.co.uk](http://www.sealey.co.uk)