



# Ø150MM/200MM BENCH GRINDER

## VARIABLE SPEED

MODEL NO: **BG150WVS & BG200WVS**

Thank you for purchasing a Sealey product. Manufactured to a high standard, this product will, if used according to these instructions, and properly maintained, give you years of trouble free performance.

**IMPORTANT:** PLEASE READ THESE INSTRUCTIONS CAREFULLY. NOTE THE SAFE OPERATIONAL REQUIREMENTS, WARNINGS & CAUTIONS. USE THE PRODUCT CORRECTLY AND WITH CARE FOR THE PURPOSE FOR WHICH IT IS INTENDED. FAILURE TO DO SO MAY CAUSE DAMAGE AND/OR PERSONAL INJURY AND WILL INVALIDATE THE WARRANTY. KEEP THESE INSTRUCTIONS SAFE FOR FUTURE USE.



Refer to instructions



Wear eye protection



Wear ear protection



Wear a protective mask

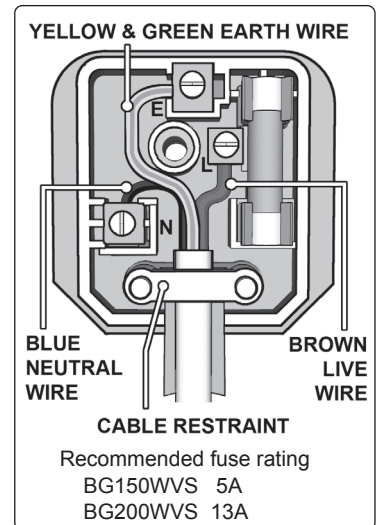
## 1. SAFETY

### 1.1. ELECTRICAL SAFETY

- WARNING!** It is the user's responsibility to check the following:  
Check all electrical equipment and appliances to ensure that they are safe before using. Inspect power supply leads, plugs and all electrical connections for wear and damage. Sealey recommend that an RCD (Residual Current Device) is used with all electrical products. You may obtain an RCD by contacting your local Sealey stockist.  
If the bench grinder is used in the course of business duties, it must be maintained in a safe condition and routinely PAT (Portable Appliance Test) tested.
- ✓ Electrical safety information, it is important that the following information is read and understood.
- ✓ Ensure that the insulation on all cables and on the appliance is safe before connecting it to the power supply.
- ✓ Regularly inspect power supply cables and plugs for wear or damage and check all connections to ensure that they are secure.
- ✓ Important: Ensure that the voltage rating on the appliance suits the power supply to be used and that the plug is fitted with the correct fuse - see fuse rating in these instructions.
- ✗ **DO NOT** pull or carry the appliance by the power cable.
- ✗ **DO NOT** pull the plug from the socket by the cable.
- ✗ **DO NOT** use worn or damaged cables, plugs or connectors. Ensure that any faulty item is repaired or replaced immediately by a qualified electrician.
- ✓ This product is fitted with a BS1363/A 13 Amp 3 pin plug.
- ✓ If the cable or plug is damaged during use, switch the electricity supply off and remove from use.
- ✓ Ensure that repairs are carried out by a qualified electrician.
- ✓ Replace a damaged plug with a BS1363/A 13 Amp 3 pin plug. If in doubt contact a qualified electrician.
  - a) Connect the GREEN/YELLOW earth wire to the earth terminal 'E'.
  - b) Connect the BROWN live wire to the live terminal 'L'.
  - c) Connect the BLUE neutral wire to the neutral terminal 'N'.
- ✓ Ensure that the cable outer sheath extends inside the cable restraint and that the restraint is tight.
- ✓ Sealey recommend that repairs are carried out by a qualified electrician.

### 1.2. GENERAL SAFETY

- WARNING!** Disconnect the grinder from the mains power, and ensure the grinding wheels are at a standstill before attempting to change accessories, service or perform any maintenance.
- ✓ Maintain the grinder in good condition and check moving parts alignment regularly.
- ✓ Replace or repair damaged parts. Use recommended parts only. Non-authorized parts may be dangerous and will invalidate the warranty.
- ▲ **DANGER! DO NOT** use a damaged wheel as it is dangerous and may cause damage and/or serious personal injury.
- WARNING!** Only persons qualified under the "Abrasive Wheels Regulations" and holding a current grinding wheel certificate are to change or dress grinding wheels. Unplug grinder from mains power and refer to Section 5 "Grinding Wheels" for details.
- WARNING!** Keep all guards and holding screws in place, tight and in good working order. Check regularly for damaged parts. A guard or any other part that is damaged should be repaired or replaced before tool is next used. The eye shields are a mandatory fitting when grinder is used in premises covered by the Health & Safety at Work Act.
- ✓ Locate grinder in a suitable working area, keep area clean, tidy and free from unrelated materials. Ensure adequate lighting.
- ✓ Before each use check grinding wheels for condition. If worn or damaged replace immediately.
- WARNING!** Always wear approved eye or face protection when operating the grinder.
- ✓ Use breathing protection in accordance with COSHH regulations if fumes or dust pose a hazard. Wear ear defenders.
- ✓ Maintain correct balance and footing. Ensure the floor is not slippery and wear non-slip shoes.
- ✓ Remove ill fitting clothing. Remove ties, watches, rings and other loose jewellery and contain and/or tie back long hair.
- ✓ Keep children and unauthorised persons away from the working area.
- ✗ **DO NOT** use the grinder for a task it is not designed to perform.
- ✗ **DO NOT** operate the grinder if any parts are damaged or missing as this may cause failure and/or personal injury.
- WARNING! DO NOT** grind any materials containing asbestos.
- ✗ **DO NOT** switch on the grinder whilst the wheel is in contact with the workpiece.



- x **DO NOT** get the grinder wet or use in damp or wet locations or areas where there is condensation.
- x **DO NOT** use grinder where there are flammable liquids, solids or gases, such as paint solvents and including waste wiping or cleaning rags etc.
- x **DO NOT** touch the workpiece close to the ground surface as it will be very hot. Allow to cool. The workpiece may also be very sharp.
- x **DO NOT** operate the grinder when you are tired, under the influence of alcohol, drugs or intoxicating medication.
- x **DO NOT** leave the grinder operating unattended.
- x When not in use switch off the grinder, disconnect from the mains power supply and clean the machine and working area

## 2. INTRODUCTION

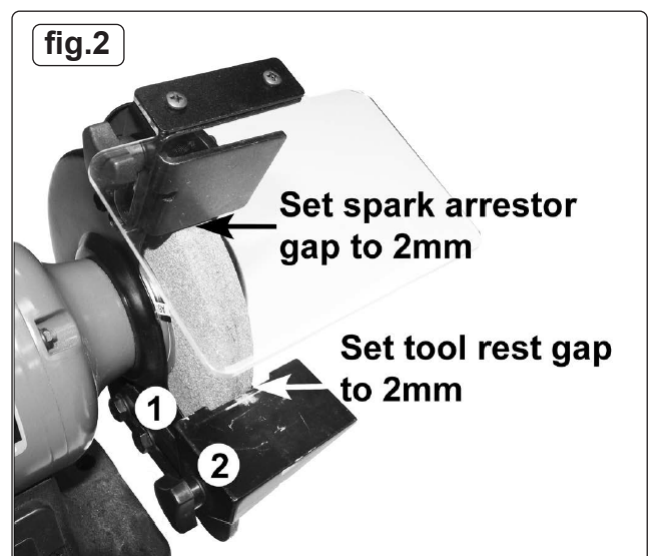
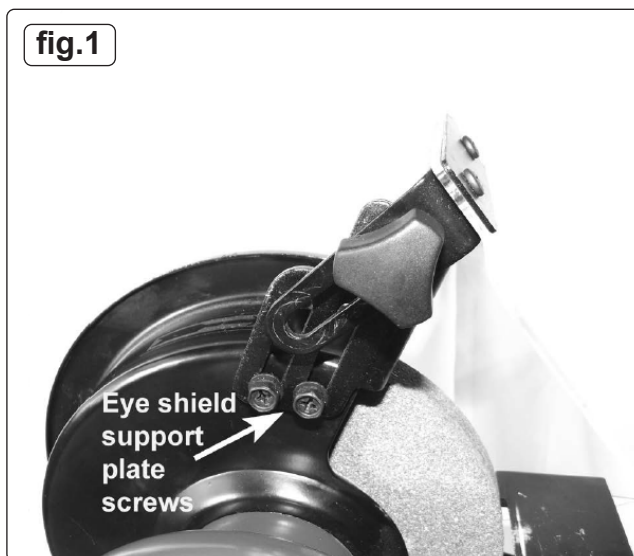
Induction motor drive suitable for general use. Fitted with stone guards, adjustable eye shields and spark arrestors. Substantial tool rests, one with angled cut-out assisting effective tool sharpening. Variable speed allows for better control of grinding and sharpening. Features integral coolant tray for convenient cooling of sharpened/ground item.

## 3. SPECIFICATION

Model no.:.....BG150WVS  
 Stone size ..... Ø150mm (x2)  
 Motor power .....250W  
 Supply .....230V  
 Axle diameter ..... Ø13mm  
 No load speed range..... 2000-2850rpm

Model no.:.....BG200WVS  
 Stone size ..... Ø200mm (x2)  
 Motor power .....550W  
 Supply .....230V  
 Axle diameter ..... Ø16mm  
 No load speed range..... 2000-2850rpm

## 4. ASSEMBLY



## 5. GRINDING WHEELS

- 5.1. **MANDATORY SAFETY INSTRUCTIONS.** (The following instructions must be observed together with those in Section 1).
- ▲ **DANGER!** Use of a damaged wheel (stone) is dangerous and may cause damage and/or personal injury.
- 5.1.1. **WARNING!** Ensure grinder is unplugged from mains supply before attempting to change grinding wheel (stone). Only persons qualified under the "Abrasive Wheels Regulations" and holding a current grinding wheel certificate are authorised to change and dress grinding wheels (stones).
- 5.1.2. Grinding wheels used with this machine must be of an adequate speed rating and suitable for the material to be ground.
- 5.1.3. Ensure the maximum speed specification of the wheel is higher than that indicated on the machine data plate.
- 5.1.4. Check that grinding wheels are secure and that wheels are not worn or damaged, that there are no fissures or cracks. If damaged replace immediately.
- 5.1.5. Ensure replacement wheel is not damaged in any way such as cracks, deformations or splinters etc. Also check the mounting flanges for deformation, burrs or chips. Damaged flanges must not be used as they may produce high stresses in the wheel causing it to break. **DO NOT** over tighten a wheel. Never tamper with a wheel in order to adapt it to a different size shaft.
- 5.1.6. Install a new wheel as in 5.2. Once mounted on the grinder test the wheel before use by facing the grinder in a safe direction (point it away from yourself, others and vulnerable items) and run for a short time. Dress the wheel if necessary.
- 5.2. **WHEEL CHANGING PROCEDURE**
- ☐ **WARNING!** Unplug grinder from the mains power supply before changing wheel.
- 5.2.1. Loosen the three screws and turn the wheel cover anticlockwise and remove.
- 5.2.2. Hold grinding wheel firmly - protect your hands with a cloth, or wear gloves. Unscrew retaining nut (fig.3.1).  
**Note:** The nut on the right side of the grinder has standard right-hand thread (undo anti-clockwise). The left side nut has a left-hand thread and must be loosened by turning clockwise. It may be necessary to strike the wrench sharply in the loosening direction, with a soft-faced hammer, to loosen the nut.
- 5.2.3. Remove grinding wheel washer (fig.3.2), blotter (3), wheel (4), 2nd blotter (5) and washer (6) from main spindle (7).
- 5.2.4. Carefully inspect the new wheel before installing to ensure there are no fissures, chips, or cracks.
- ☐ **WARNING! DO NOT USE A DAMAGED WHEEL.**
- 5.2.5. Inspect the blotters - if they are damaged, replace them. The grinder must never be used without genuine wheel blotters.
- 5.2.6. Install the new wheel by reversing steps above. Ensure washers (2 & 6) are installed correctly with the concave side against the blotter.
- 5.2.7. Hold wheel steady and secure locking nut. **DO NOT** over-tighten as this may crack the wheel.
- 5.2.8. Replace wheel cover.

## 6. OPERATION

### 6.1. PRE-USE INSPECTION

- ❑ **WARNING!** INSPECT THE GRINDER BEFORE USE. ENSURE THE GRINDER IS UNPLUGGED FROM THE MAINS POWER BEFORE COMMENCING THE INSPECTION.

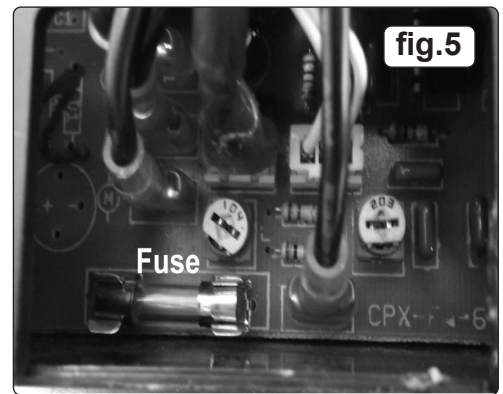
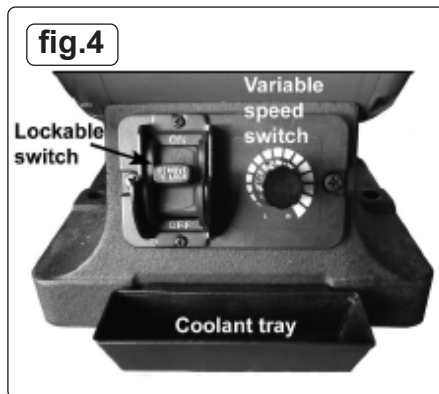
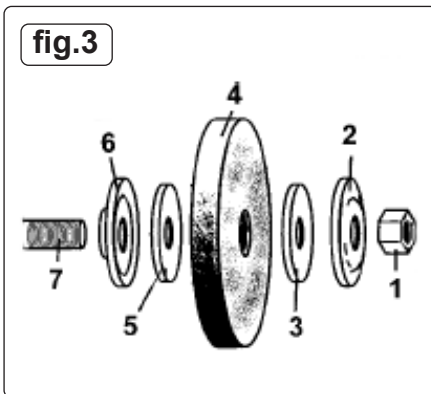
- 6.1.1. Check the tool rests are securely fixed and are not more than 2mm from the grinding wheels.
- 6.1.2. Check that eye shields are in good condition, secure and that you can see through them clearly.
- 6.1.3. Turn the grinding wheels by hand and check for any damage. Check they do not touch the tool rests and are correctly aligned.
- 6.1.4. If any of the above checks fail, replace, repair, or adjust as necessary before starting the grinder.

### 6.2. WHEEL USE

- 6.2.1. The grinder is supplied with two aluminium oxide wheels, one coarse and one fine. Fine is preferred for hard materials and coarse for soft materials.
- 6.2.2. If the surface of the wheel becomes "loaded" (coated with particles of the material being ground) it is probably the wrong grade for the job. Important reminder: Only a person holding a grinding wheel certificate may install wheels. See Section 5.

### 6.3. USING THE GRINDER

- ❑ **WARNING!** Before commencing work, ensure you read, understand and apply the Section 1 Safety Instructions.
- 6.3.1. Plug grinder into the mains power supply.
  - 6.3.2. Adjust the eye shield to give maximum protection.
  - 6.3.3. Switch on the grinder and bring the workpiece slowly into contact with the rotating wheel.
  - 6.3.4. When the task is complete unplug the grinder from the mains power supply and clean the machine ready for next use.
  - 6.3.5. Lockable Switch Refer to fig.4
  - 6.3.6. The black centre section of the on/off switch pulls out to prevent unauthorised use.
  - 6.3.7. Overload Protection Fuse Refer to fig.5.
- ❑ **WARNING!** ENSURE THE GRINDER IS UNPLUGGED FROM THE MAINS POWER BEFORE CHANGING THE FUSE.
- 6.3.8. Fuse rating is 5A.
  - 6.3.9. An overload protection fuse is fitted to the circuit board on the top of base cover assembly. Carefully turn the grinder on to its side. Remove the four screws in each of the four suction feet on the base, remove the base cover and turn the board over. The fuse location is shown in fig.5.



## 7. MAINTENANCE

- ❑ **WARNING!** Ensure the grinder is unplugged from the mains power supply before performing any maintenance or service.
- 7.1. As the grinding wheels wear, adjust the positions of the tool rests. Each rest must be set not more than 2mm from the grinding surface.
  - 7.2. Regularly remove the grinding wheel covers and clean out any dust and dirt.
  - 7.3. The machine motor and bearings are sealed units and require no regular maintenance. Should you require assistance, contact your local service agent.



### WEEE REGULATIONS

Dispose of this product at the end of its working life in compliance with the EU Directive on Waste Electrical and Electronic Equipment (WEEE). When the product is no longer required, it must be disposed of in an environmentally protective way. Contact your local solid waste authority for recycling information.



### ENVIRONMENT PROTECTION

Recycle unwanted materials instead of disposing of them as waste. All tools, accessories and packaging should be sorted, taken to a recycling centre and disposed of in a manner which is compatible with the environment. When the product becomes completely unserviceable and requires disposal, drain any fluids (if applicable) into approved containers and dispose of the product and fluids according to local regulations.

**Note:** It is our policy to continually improve products and as such we reserve the right to alter data, specifications and component parts without prior notice.

**Important:** No Liability is accepted for incorrect use of this product.

**Warranty:** Guarantee is 12 months from purchase date, proof of which is required for any claim.

Sealey Group, Kempson Way, Suffolk Business Park, Bury St Edmunds, Suffolk. IP32 7AR



01284 757500



01284 703534



sales@sealey.co.uk



www.sealey.co.uk