



INSTRUCTIONS FOR; **BEAM CLAMPS**  
**Models: BC1000, BC2000**  
**BC3000, BC5000**

Thank you for purchasing a Sealey Product. Manufactured to a high standard this product will, if used according to these instructions and properly maintained, give you years of trouble free performance.

**!** **IMPORTANT: PLEASE READ THESE INSTRUCTIONS CAREFULLY. NOTE THE SAFE OPERATIONAL REQUIREMENTS, WARNINGS AND CAUTIONS. USE THIS PRODUCT CORRECTLY AND WITH CARE FOR THE PURPOSE FOR WHICH IT IS INTENDED. FAILURE TO DO SO MAY CAUSE DAMAGE AND/OR PERSONAL INJURY AND WILL INVALIDATE THE WARRANTY. PLEASE KEEP INSTRUCTIONS SAFE FOR FUTURE USE.**

## 1. SAFETY INSTRUCTIONS

- ✓ Ensure that the beam clamp is in sound condition and good working order. Take action for immediate repair or replacement of damaged parts. *Use recommended parts only. The use of unauthorised parts may be dangerous and will invalidate the warranty.*
- ✓ Ensure the support beam for the clamp is capable of withstanding a load of *at least* 1½ times the clamp safe working load.
- ✓ Keep the clamp clean for best and safest performance.
- ✓ Locate the clamp in a suitable, well lit work area.
- ✓ Keep work area clean and tidy and free from unrelated materials.
- ✓ Ensure all non-essential persons keep a safe distance whilst the beam clamp is in use.
- ✓ Use a qualified person to lubricate and maintain the beam clamp.
- x DO NOT exceed the rated capacity (safe working load) of the beam clamp.
- x DO NOT allow anyone to stand or pass beneath the raised load.
- x DO NOT use the beam clamp for purposes other than that for which it is intended.
- ✓ Store the beam clamp in a dry, childproof area when not in use.
- ✓ Always ensure that the load to be slung does not exceed the rated capacity of the equipment being utilized. Also ensure that the structure to which the clamps are attached meet or exceed the safety parameters as specified by the H & SE. Do not allow the load to swing during operation and do not subject the equipment, chains or straps to shock loads.

## 2. INTRODUCTION

### 2.1. Introduction

Suitable for semi-permanent attachment to steel beams and acts as a lifting point for chain blocks, hoists and lifting tackle. The clamp may also be used for lifting and transfer of steel beams and as a pulling clamp. Low profile afforded by integral pivot/lifting point.

## 3. SPECIFICATIONS

Note: Letters refer to dimensions shown in fig.1.

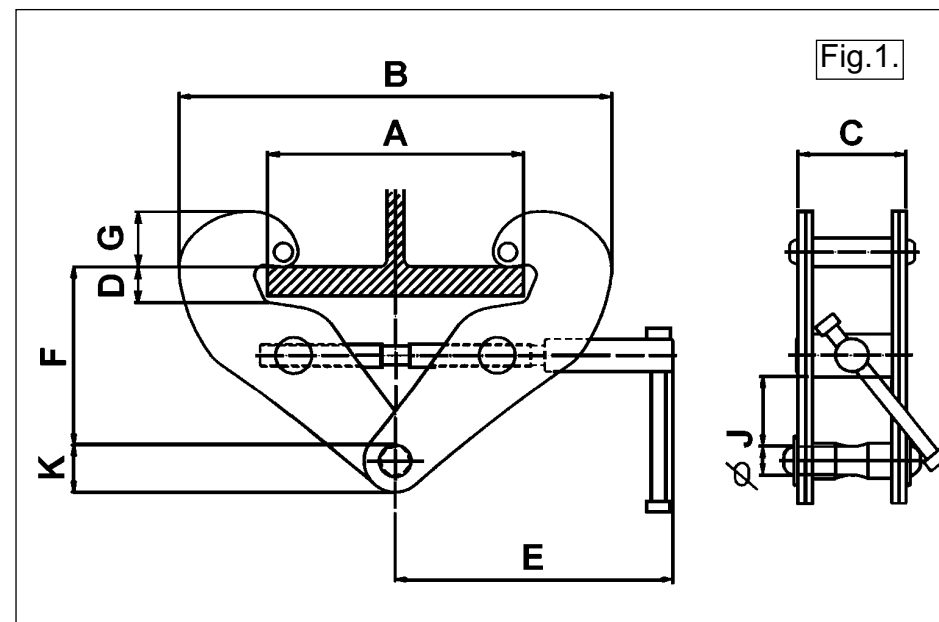
Model No:	BC1000	BC2000	BC3000	BC5000
Capacity:	1000kg	2000kg	3000kg	5000kg
A:	75-210mm	75-210mm	75-305mm	75-305mm
B:	182-328mm	182-328mm	214-460mm	214-460mm
C:	77mm	85mm	107mm	121mm
D:	26mm	26mm	35mm	35mm
E:	190mm	190mm	240mm	240mm
F:	144-117mm	144-117mm	224-179mm	220-175mm
G:	52-38mm	52-38mm	58-40mm	58-40mm
J:	Ø20mm	Ø20mm	Ø22mm	Ø28mm
K:	34mm	34mm	42mm	45mm
Weight:	4.5kg	5.2kg	9.1kg	10.7kg

## 4. INSTRUCTIONS

- 4.1. To attach to a beam, open the jaws of the clamp to the required width, slide the clamp onto the beam and secure by tightening the locking bar, fig.1.



**BEAM CLAMPS**  
**Models: BC1000, BC2000**  
**BC3000, BC5000**



**NOTE:** It is our policy to continually improve products and as such we reserve the right to alter data, specifications and component parts without prior notice. **IMPORTANT:** No liability is accepted for incorrect use of this equipment. **WARRANTY:** Guarantee is 12 months from purchase date, proof of which will be required for any claim. **INFORMATION:** For a copy of our latest catalogue and promotions call us on 01284 757525 and leave your full name and address, including postcode.

**SEALEY Quality MACHINERY** Sole UK Distributor,  
**Sealey Group, Bury St. Edmunds, Suffolk.**

[www.sealey.co.uk](http://www.sealey.co.uk)

01284 757500

01284 703534

[sales@sealey.co.uk](mailto:sales@sealey.co.uk)