



BEAM CLAMPS

MODEL NO'S: **BC1000.V3, BC2000.V3, BC3000.V3**

Thank you for purchasing a Sealey product. Manufactured to a high standard, this product will, if used according to these instructions, and properly maintained, give you years of trouble free performance.

IMPORTANT: PLEASE READ THESE INSTRUCTIONS CAREFULLY. NOTE THE SAFE OPERATIONAL REQUIREMENTS, WARNINGS & CAUTIONS. USE THE PRODUCT CORRECTLY AND WITH CARE FOR THE PURPOSE FOR WHICH IT IS INTENDED. FAILURE TO DO SO MAY CAUSE DAMAGE AND/OR PERSONAL INJURY AND WILL INVALIDATE THE WARRANTY. KEEP THESE INSTRUCTIONS SAFE FOR FUTURE USE.



Refer to instructions



Wear eye protection



Wear safety footwear

1. SAFETY

- ✓ Ensure that the beam clamp is in sound condition and good working order. Take action for immediate repair or replacement of damaged parts. Use recommended parts only. The use of unauthorised parts may be dangerous and will invalidate the warranty.
- ✓ Ensure the support beam for the beam clamp is capable of withstanding a load of *at least* 1½ times the beam clamp safe working load.
- ✓ Keep the beam clamp clean for best and safest performance.
- ✓ Locate the beam clamp in a suitable, well lit work area.
- ✓ Keep work area clean and tidy and free from unrelated materials.
- ✓ Ensure all non-essential persons keep a safe distance whilst the beam clamp is in use.
- ✓ Use a qualified person to maintain the beam clamp.
- ✗ **DO NOT** exceed the rated capacity (safe working load) of the beam clamp. Sudden load movement may briefly create excess load causing product failure.
- ✗ **DO NOT** use the beam clamp for purposes other than that for which it is intended.
- ✓ Store the beam clamp in a dry, childproof area when not in use.
- ✓ Always ensure that the load to be slung does not exceed the rated capacity of the equipment being utilized. Also ensure that the structure to which the trolleys, clamps, hoists or blocks are attached meet or exceed the safety parameters as specified by the HSE.
- ✓ The supporting structure the hoist is mounted to (including trolley, monorail, or crane) must be designed to withstand the loads and forces imposed by the hoist for the rated load.
- ✓ Install in location that allows the operator to move and stay clear of the load.
- ✓ Raise test loads only to the minimum extent needed and stay well clear of load at all times during testing.
- ✓ Wear goggles, hard hat, and steel-toed work boots during set up and use.
- ✓ Sealey beam clamps can be used within an operating temperature range of -10°C to +55°C.
- ✓ **DO NOT** allow children to play with or near this item.
- ✓ Use as intended only. **DO NOT** use to handle molten material. **DO NOT** use for aircraft purposes.
- ✗ **DO NOT** allow the load to swing during operation and **DO NOT** subject the equipment, chains or straps to shock loads.
- ✗ **DO NOT** lift people or lift loads over people. Falling loads can injure or kill people.
- ✗ **DO NOT** operate hoist with anything other than manual power (by hand).
- ✗ **DO NOT** operate hoist with dangerous goods (e.g. molton masses, radioactive materials).
- ✗ **DO NOT** remove or cover warning labels and/or tags. These carry important safety information. If unreadable or missing, contact Customer Service Centre for a replacement.
- ☐ **WARNING!** Failure to heed safety and warning instructions may result in damage and/or personal injury and will invalidate the warranty.
NOTE: Ensure you have read and understood the safety instructions at the beginning of this section before you operate the beam clamp.

2. GENERAL

2.1. IDENTIFICATION/SUPPLIER

Sealey Power Products,
Kempson Way,
Suffolk Business Park,
Bury St Edmunds,
Suffolk, IP32 7AR.
Model No's: BC1000.V3, BC2000.V3, BC3000.V3

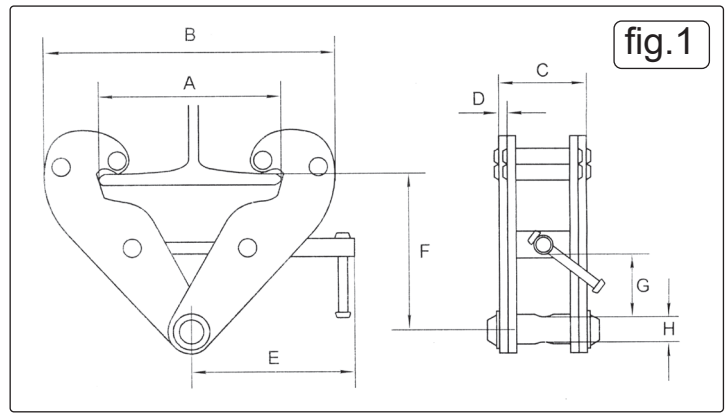
3. INTRODUCTION

Suitable for semi-permanent attachment to steel beams and acts as a lifting point for chain blocks, hoists and lifting tackle. The clamp may also be used for lifting and transfer of steel beams and as a pulling clamp. Low profile afforded by integral pivot/lifting Point. All steel structure. Powder paint coated for rust resistance.

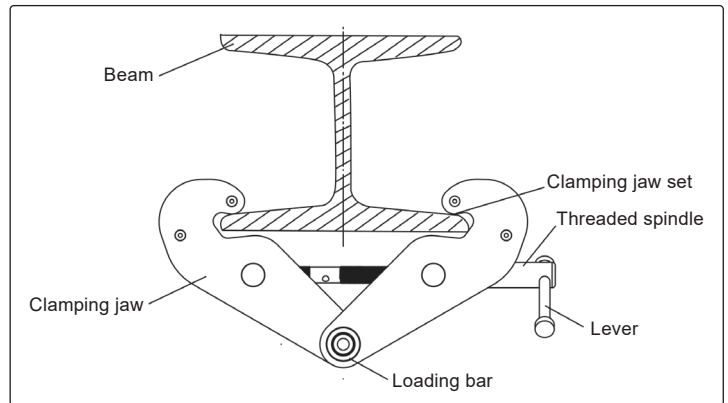
4. SPECIFICATION

Note: Letters refer to dimensions shown in fig.1. On next page.

Model No:	BC1000.V3	BC2000.V3	BC3000.V3
Capacity:	1000Kg	2000kg	3000Kg
A	230mm	230mm	320mm
B	180-360mm	180-360mm	235-490mm
C	64mm	74mm	103mm
D	5mm	6mm	8mm
E	215mm	215mm	260mm
F	102-155mm	102-155mm	140mm
G	25mm	25mm	45mm
H	Ø22mm	Ø22mm	Ø24mm



W.L.L	SUITS BEAM WIDTH MM
1T	75-230
2T	75-230
3T	80-320
5T	80-320

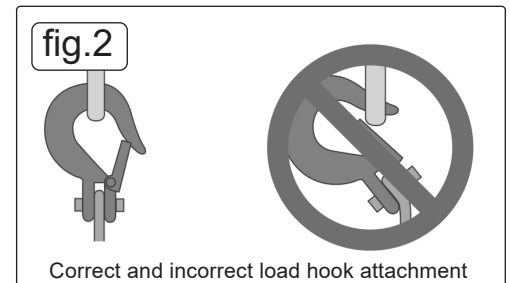


5. INSTALLATION

- 5.1.1. Open the clamping jaws by rotating the lever counter clockwise.
- 5.1.2. Position the beam clamp on the the beam.
- 5.1.3. Close the clamping jaws by rotating the lever clockwise until hand tight.
- 5.1.4. Check that the clamping jaw seat has engaged the beam fully.
- 5.1.5. Ensure the hoist or sling being attached to the beam clamp is located directly under the centre line of both the beam and the beam clamp.

6. OPERATION

- 6.1. (Refer to Section 6.2 regarding inspection and examination before each and every use).
- 6.2. **APPLYING A LOAD**
 - 6.2.1. Do not wrap the hoist rope or chain around the load.
 - 6.3. Attach the load to the load hook securely by properly rated, suitable means, such as chains, shackles, hooks, lifting slings, etc. Load must be attached to prevent accidental disconnection.
 - 6.4. Properly seat the sling or other device in the base (bowl or saddle) of the hook (see the fig.2). **DO NOT** allow the hook hitch to support any part of the load.
 - * **DO NOT** apply the load to the point of the hook (shown in fig.2).
 - 6.5. Before moving the load, make sure chains or wire rope are not kinked or twisted or that multiple part chains or ropes are not twisted around each other.
 - * **DO NOT** operate the hoist unless rope or chain is seated properly on the drum, sheaves, or sprockets.
 - * **DO NOT** operate the hoist unless the hoist unit is centered over the load.
 - * **DO NOT** pick up a load in excess of the rated load appearing on the hoist or load block, except during properly authorised tests.
 - * **DO NOT** use a hoist overload limiting device to measure the maximum load to be lifted.
 - 6.6. Give specific attention to load balancing and hitching or slinging to prevent load slipping.
 - 6.6.1. Attach to a suitably rated beam that is capable of withstanding a load of *at least* 1½ times the beam clamps safe working load, open the jaws of the beam clamp to the required width, slide the beam clamp onto the beam and secure by tightening the locking lever, connect the beam clamp to the load using a suitably certified sling or block. Ensure you are aware of the load weight, and check that it is within the capacity of the beam clamp and the sling/block or support beam.
 - 6.6.2. Lift only from directly above the load.
 - ☐ **WARNING! DO NOT** lift the load at an angle.
 - 6.6.3. When lowering loads be fully aware of your own and other persons locations in relation to the lowering load.
 - ☐ **WARNING! Use only on beam widths that are within the adjustable limits of the beam clamp.**
 - * **DO NOT** exceed the W.L.L of the beam clamp. See table below.
 - * **DO NOT** use beam clamp which are damaged or deformed.
 - * **DO NOT** attempt to repair a damaged beam clamp. It must be repaired by an authorised repair agent.
 - * **DO NOT** stand under load or installed beam clamp.
 - ✓ Do inspect the beam clamp after every use.
 - ☐ **WARNING! This product must be only used by suitably trained persons.**
- 6.7. **MOVING THE LOAD**
 - ☐ **DO NOT** engage in any activity which will divert the operator's attention while operating the hoist.
 - 6.7.1. Respond to signals from a designated person only. However, always obey a stop signal, no matter who gives it.
 - * **DO NOT** lift or lower a load with the hoist until the operator and all other personnel are clear of the load.
 - 6.7.2. Make sure the load and hoist will clear all obstacles before moving or rotating the load.
 - * **DO NOT** lift a load more than a few inches until it is well balanced in the sling or lifting device.



- 6.7.3. Each time a load approaching rated capacity is handled, check hoist brake action by lifting the load just clear of supports and continuing only after verifying that the brake system is operating properly.
- ☐ **WARNING! DO NOT** carry personnel on the hook or the load.
- ✖ **DO NOT** leave a suspended load unattended unless specific precautions have been instituted and are in place.
- 6.7.4. Exercise care when removing a sling from under a landed and blocked load.

7. MAINTENANCE

NOTE: The beam clamp **MUST** be kept clean and dry and must be maintained in accordance with these instructions.

7.1. LUBRICATION

- 7.1.1. Oil threads and hinged parts monthly or when necessary.
- 7.1.2. Always lubricate threads and hinged parts before storing the beam clamp.

7.2. INSPECTION AND EXAMINATION OF CLAMP BEFORE USE

- 7.2.1. Before each use of the beam clamp you must perform an inspection for damage, loose or missing parts.
- 7.2.2. The beam clamp must be examined immediately if it has been subject to an abnormal load or shock. It is recommended that such an examination is made by an authorised service agent.
- 7.2.3. Unauthorised parts may be dangerous and will invalidate the warranty.
Note! Please see the Definition of 'inspection' and 'examination' below.

7.3. INSPECTION

- 7.3.1. Looking at the beam clamp for defects and checking the beam clamp for any signs of weakness. This is much more than a check but does not require any part of the beam clamp to be dismantled other than removal from the beam.

7.4. EXAMINATION

- 7.4.1. Verification that the beam clamp can safely continue in service. An examination is more thorough than an inspection.

7.5. OWNER/ OPERATOR'S RESPONSIBILITIES

- 7.5.1. The owner and/or operator shall study these instructions and retain them for future use.

7.6. UNDERSTANDING INSTRUCTIONS AND WARNINGS

- 7.6.1. The owner and/or operator shall understand the operating instructions and warnings before operating the beam clamp. Warning information must be emphasised and understood. If the operator is not fluent in English, the product instructions and warnings must be read to, and discussed with, the operator in the operator's native language by the owner, making sure the operator understands the contents.

7.7. DAMAGED BEAM CLAMPS

- 7.7.1. Any beam clamp which appears to be damaged, badly worn, or operates abnormally **MUST BE REMOVED FROM SERVICE!** It is recommended that necessary repairs be made by an authorised service agent.

7.8. STORAGE

- 7.9. The equipment should ideally be stored in a purpose designed facility where it can be kept secure from unauthorised use. A responsible person should control the issue and receipt of all lifting appliances and accessories, and a system to manage statutory inspections should be in place.
- 7.10. Storage would normally be on suitable racks within a container a manner that prevents accidental damage.
1. Never return damaged beam clamps to storage. The equipment should be dry, clean and protected from corrosion.
 2. Store beam clamps on a rack and not lying on the ground. The storage area should be dry, clean and free from contaminants which could harm the equipment.
 3. If a beam clamp is permanently installed on a beam, it should be protected from the elements as far as possible.
- 7.11. During transport to the worksite and whilst in store at the worksite, the equipment should be protected from exposure to any conditions which may affect its ability to operate safely. In particular, it should be protected from exposure to:
- ✓ Temperatures higher than can be comfortably tolerated by the hand.
 - ✓ Temperatures below freezing point.
 - ✓ Solvents.
 - ✓ Corrosive chemicals or fumes.
 - ✓ Grit, sand and wind-blown dust.
 - ✓ Any defects should be reported to the responsible person.



ENVIRONMENT PROTECTION

Recycle unwanted materials instead of disposing of them as waste. All tools, accessories and packaging should be sorted, taken to a recycling centre and disposed of in a manner which is compatible with the environment. When the product becomes completely unserviceable and requires disposal, drain any fluids (if applicable) into approved containers and dispose of the product and fluids according to local regulations.



NOTE: It is our policy to continually improve products and as such we reserve the right to alter data, specifications and component parts without prior notice. Please note that other versions of this product are available. If you require documentation for alternative versions, please email or call our technical team on technical@sealey.co.uk or 01284 757505.

IMPORTANT: No Liability is accepted for incorrect use of this product.

WARRANTY: Guarantee is 12 months from purchase date, proof of which is required for any claim.

Sealey Group, Kempson Way, Suffolk Business Park, Bury St Edmunds, Suffolk. IP32 7AR



01284 757500



sales@sealey.co.uk



www.sealey.co.uk