

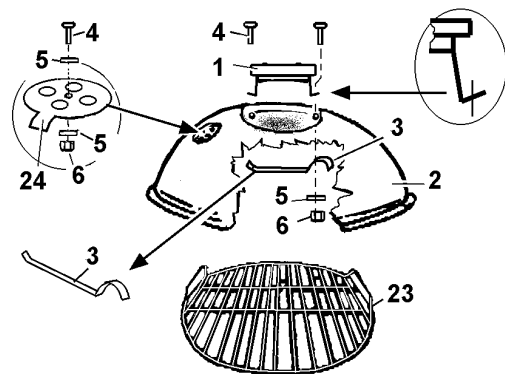
Thank you for purchasing a Sealey Barbecue. This product has been manufactured to a high standard, and if used according to these instructions and properly cared for, will give you years of pleasurable use.



IMPORTANT: PLEASE READ THESE INSTRUCTIONS CAREFULLY. NOTE THE SAFETY REQUIREMENTS, WARNINGS AND CAUTIONS. USE THIS BARBECUE CORRECTLY AND WITH CARE FOR THE PURPOSE FOR WHICH IT IS INTENDED. FAILURE TO DO SO MAY CAUSE A FIRE, OR PERSONAL INJURY, AND WILL INVALIDATE THE WARRANTY. RETAIN INSTRUCTIONS FOR FUTURE USE.

1. SAFETY INSTRUCTIONS

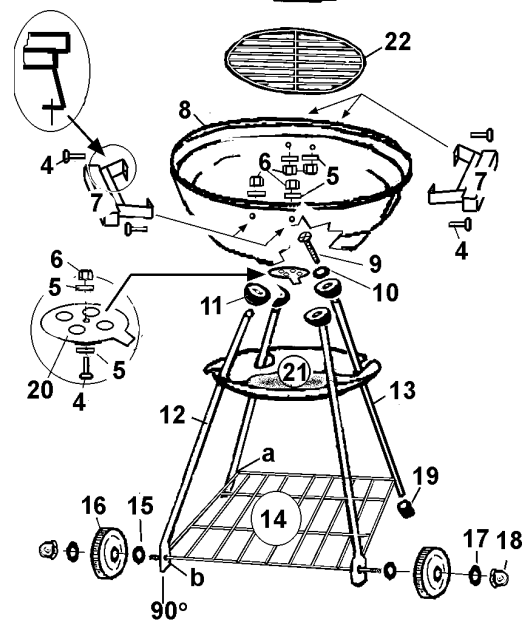
- ✓ Assemble the Barbecue correctly and stand it on a safe, firm, level surface. Ensure the location you choose is away from flammable materials such as fencing, trees, wooden structures such as sheds, overhangs or any such item that may be effected by heat.
- x DO NOT place flammable liquids, gasses, or other substances near the barbecue.
- x DO NOT use the Barbecue indoors.
- ❑ **WARNING!** DO NOT use petrol, paraffin, methylated spirit, lighter fuel, or similar, or any other source of ignition other than specifically produced barbecue lighting fluid or paste, or fire lighters.
- x DO NOT move the barbecue once it is lit.
- ✓ DO keep children and pets at a safe distance from the Barbecue.
- ✓ DO keep a fire extinguisher at hand.
- x DO NOT touch the barbecue whilst cooking food, as when used correctly the barbecue will reach a very high temperature.
- ✓ DO handle the lid with an oven glove,
- x DO NOT leave cooking utensils on the grill or place them in the fuel.
- ✓ DO use cooking utensils with handles that do not conduct heat.
- ✓ DO keep your feet away from the underside of the barbecue as hot fat may drip from the bottom of the fire bowl.
- x DO NOT allow the barbecue to burn unattended.
- ✓ DO ensure the barbecue embers are completely extinguished before leaving the barbecue unattended.
- ✓ When you have completed cooking, allow the embers to completely cool before handling or removing barbecue. The lid may be closed but all upper parts of the barbecue will be hot.
- ✓ When cold, carefully dispose of ash, clean grill and fire bowl. Lightly smear grill with cooking oil to protect it, and store in a safe, dry location.



2. ASSEMBLY INSTRUCTIONS

Unpack the barbecue and check contents against the parts list. Should there be any damaged or missing parts contact your supplier immediately. Assemble your barbecue on a scratch proof surface allowing yourself time to carefully identify parts and assemble according to the following:

1. Hold the lid handle (1) to grill lid (2) and hold the lid rest (3) to the underside whilst securing with two screws (4) washers (5) and nuts (6), view diagram to position rest correctly.
2. Place two fire bowl handles (7) to side of the fire bowl (8), (you may have to push the securing bracket to align with lid holes). Pass screws (4) through the handle bracket into the bowl, place on washers (5), and secure with nuts (6).
3. Remove screws (9) and washers (10) from end of legs. Insert leg housings (11) on the top end of the short legs (12) and long legs (13).
4. Turn the fire bowl upside down, place screw (9) with washer (10) through the leg hole from the underside of the bowl. Identify a short, or, long leg and screw the leg with the holder on to the protruding screw. Take the next leg of the same length, and fit to the bowl in the same manner ensuring the handle is positioned between the two legs, (i.e. short leg, bowl handle, short leg).
5. Gently turn the barbecue up the correct way onto its four legs, and fit the rectangular wire shelf (14) inserting the angled tips (a) into the holes of the long legs, (the angled tips must be pointing downward toward the ground and inserted into the holes). Pass the other ends of the shelf through holes in the bottom of the short legs at point (b), ensuring that the leg ends are at a right angle to the ground. The threaded ends will become the wheel axles.
6. Insert spacer (15) wheel (16), washer (17) and secure with cap nut (18) on both sides.
7. Insert the plastic end cap onto the long leg ends (19), (these may already be fitted).
8. Tighten screws to secure legs to fire bowl ensuring handles are aligned between the legs.
9. Place the ash vent (20) to the underside of the fire bowl pass washer (5) over a screw (4) and pass through and up into the bowl securing with another washer (5) and nut (6).
10. Install ash tray (21) by aligning slots with legs and rotating to lock in place.
12. Place the small ash grate (22) into the bottom of the fire bowl, and the grill (23) into top recess.
13. Align the barbecue lid vent (24) with holes on the outside of the lid (2) and pass screw (4) with washer (5) through the lid from the outside to the inside, and secure with washer (5) and nut (6). The barbecue is now ready for use.



PARTS LIST

1	Lid Handle	13	Long legs
2	Grill top	14	Wire shelf
3	Lid hanger	15	Spacer Plastic-wheel
4	Screws (general x 8)	16	Wheel
5	Washer (small brass)	17	washer large brass-wheel
6	nuts (general x 8)	18	Cap nut- wheel
7	Bowl Handles	19	Leg end cap
8	Fire bowl	20	Ash vent
9	Leg Screws	21	Ash tray
10	Leg Washers	22	Ash grate
11	Leg housing	23	Grill
12	Short legs	24	Air vent - for lid

3. USING THE BARBECUE

1. Place barbecue charcoal or briquettes onto the ash grate (22)
2. Light the fuel with lighting fluid or paste, or fire lighters.
3. Once lit, charcoal or briquettes will gradually continue to slowly burn and develop a very high temperature by which time the charcoal will burn white in colour, (there should not be any flames).
4. Barbecue may be used with the lid off, if you place lid on, use the air vent to aid heat control.
5. The barbecue is now ready for food to be cooked.

❑ **WARNING!** Apply safety Chapter 1. Failure to do so may result in serious injuries.

NOTE: It is our policy to continually improve products and as such we reserve the right to alter data, specifications and component parts without prior notice.

IMPORTANT: No liability is accepted for incorrect use of product. **WARRANTY:** Guarantee is 12 months from purchase date, proof of which will be required for any claim. **INFORMATION:** Call us for a copy of our latest catalogue on 01284 757525 and leave your full name and address including your postcode.

