

SEALEY

INSTRUCTIONS FOR

GAS BBQ 5 BURNER + SIDE BURNER & SIDE BOWL

MODEL NO: **BBQ11**

Thank you for purchasing a Sealey product. Manufactured to a high standard, this product will, if used according to these instructions, and properly maintained, give you years of trouble free performance.

IMPORTANT: PLEASE READ THESE INSTRUCTIONS CAREFULLY. NOTE THE SAFE OPERATIONAL REQUIREMENTS, WARNINGS & CAUTIONS. USE THE PRODUCT CORRECTLY AND WITH CARE FOR THE PURPOSE FOR WHICH IT IS INTENDED. FAILURE TO DO SO MAY CAUSE DAMAGE AND/OR PERSONAL INJURY AND WILL INVALIDATE THE WARRANTY. KEEP THESE INSTRUCTIONS SAFE FOR FUTURE USE.



Refer to
instruction
manual



Wear
Gloves



Warning:
Hot
Surface

1. SAFETY

1.1. GENERAL SAFETY


- WARNING!** The warnings, cautions and instructions in this manual cannot cover all possible conditions and situations that may occur. It must be understood by the operator that common sense and caution are factors which cannot be built into this product, but must be applied by the operator.
- WARNING!** Hazardous fire or explosion may result if instructions are ignored.
- WARNING!** Never use a flame to do the leak test and ensure no naked flames are nearby when doing the leakage test.
- WARNING!** Accessible parts may be very hot. Keep young children and pets away.
- WARNING!** If you smell gas: turn off the gas supply at the cylinder, extinguish all naked flames, DO NOT operate any electrical appliances, check for leaks as detailed in this manual. If odour persists, contact your Sealey dealer.
- WARNING!** Any modification to this appliance may be dangerous and is absolutely not permitted.
- WARNING!** The hood must always be open when lighting the burner.
- Read the instructions carefully before assembly and retain this manual for future reference.
- Use outdoors only, stand on a level surface, remember hot fat may drip out of the drip tray.
- Handle the hot barbecue with the help of oven gloves.
- The barbecue should be cleaned on a regular basis. Take care not to enlarge burner ports or orifice openings when cleaning the burner or valves.
- Connect the regulator and hose onto the gas cylinder, close all the valves by turning the control knobs to the "OFF" (fully clockwise) position.
- Always do the gas leak check before you use the barbecue and after a cylinder change. Test the leakage on all the connections where gas passes by.
- GAS LEAK CHECK** Put soapy water on all the connections where the gas reaches. Open the gas cylinder valve and regulator. If bubbles are seen, tighten the connection. If bubbles are still seen, close all valves, turn off the regulator and contact your Sealey dealer for help. Never use the barbecue with a leak.
- The gas cylinder can only be changed by a competent person.
- Use oven gloves and sturdy long handled barbecue tools when cooking on the grill.
- Be prepared if an accident or fire should occur. Know where your first aid kit and fire extinguishers are and how to use them correctly. Keep the gas supply hose away from any heated surfaces.
- Ensure the appliance has completely cooled before storing.
- Cylinders must be stored outdoors, upright and out of reach of children. Protect cylinder from high temperatures and replace the plastic port cap.
- This gas barbecue is designed for outside use only.
- DO NOT** use in high winds.
- DO NOT** move the barbecue whilst it is in operation.
- DO NOT** operate if there is a gas leak.
- DO NOT** attempt to disconnect any gas fitting if your barbecue is being used, including the gas hose and regulator.
- DO NOT** leave unattended, from being lit to fully cooled.
- DO NOT** use this barbecue in a garage or any enclosed area. Keep the surrounding area clear, at least 1.0m from any combustible materials and 0.5m from a brick wall.
- DO NOT** attempt any unauthorised interference of the main controls on this barbecue, i.e. gas taps, injectors, valve etc.
- DO NOT** attempt to use charcoal in this barbecue.
- DO NOT** position on a surface that may be damaged by hot fat or heat.
- DO NOT** store petrol or other flammable vapours or liquids in the vicinity of this barbecue.

2. INTRODUCTION

Gas barbecue with 5 stainless steel burners, side burner and piezoelectric igniter. Features cast iron enamel cooking grill, built in temperature gauge, warming rack and under grill storage cabinet and side bowl for marinating food or ice cube storage. Fitted with 2 lockable wheels and 2 castors for mobility.

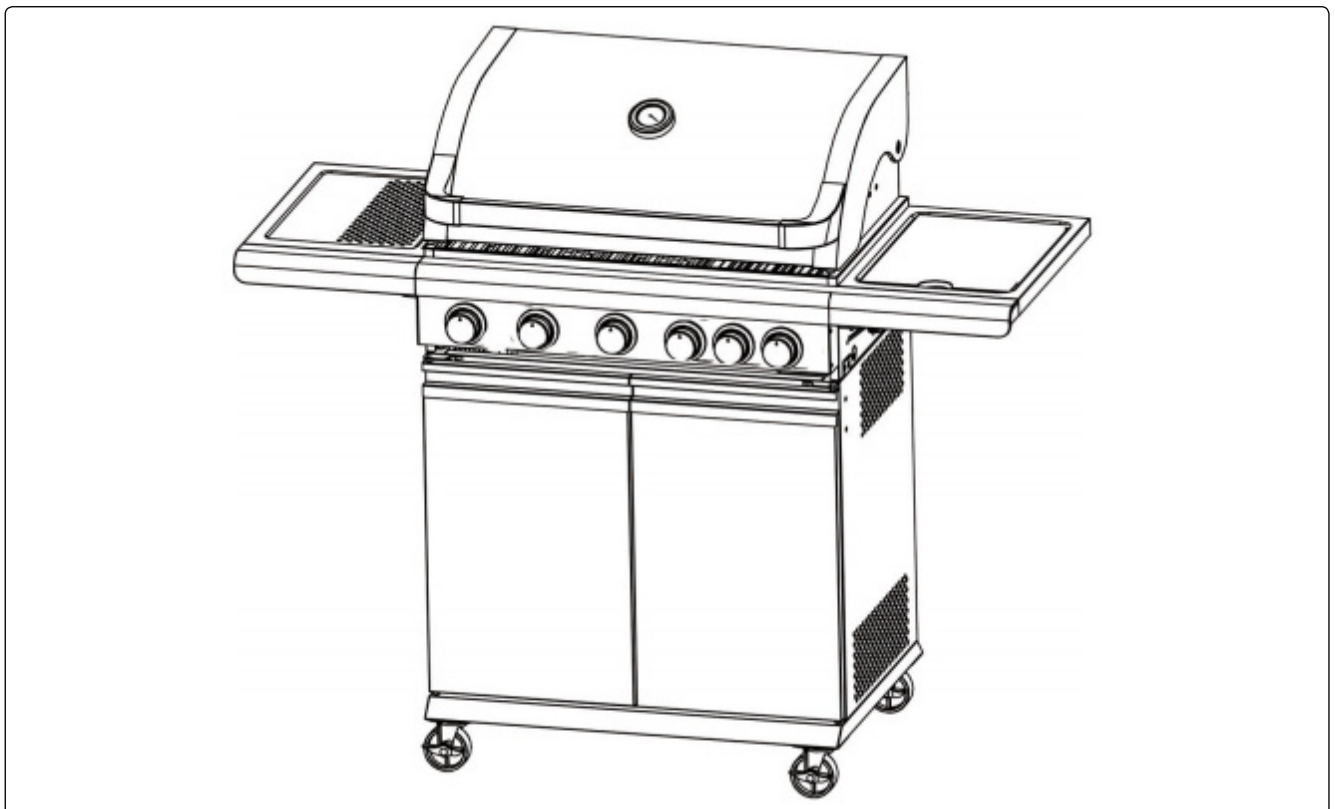
3. SPECIFICATION

Model no: **BBQ11**
 Cooking area:.....800 x 420mm
 Gas category:.....I3+ 28-37mbar
 Heat output: 17.5kW
 Overall size (W x D x H):..... 1440 x 590 x 1120mm

Ningbo Huige Outdoor Products Co., Ltd Huangjialing, Chunhu Town, Fenghua City, Zhejiang Province, China			Product name: Outdoor gas Grill Pin Number: 0063CN7292 Serial Number:20160106		
Country of Destination	Appliance Category	Gas and Supply Pressure	Main Burner	Side Burner	Appliance Name
			Injector Size Ø	Injector Size Ø	Total Nominal Heat Inputs (Hs)
BE,CH,CY,CZ,ES,FR,GB,GR,IE,IT,LT,LU,LV,PT,SK,SI	I3+(28-30/37) <input checked="" type="checkbox"/>	Butane(G30) 28-30 mbar	0.86mm	0.76mm	17.5kW 1272g/h
		Propane(G31) 37 mbar	0.86mm	0.76mm	17.5kW 1248g/h
BE,CY,DK,EE,FI,HU,LT,NL,NO,SE,SI,SK,RO,HR, TR,BG,LU,MT	I3B/P(30) <input type="checkbox"/>	Butane/Propane 30 mbar	0.86mm	0.76mm	17.5kW 1272g/h
AT,CH,DE,SK	I3B/P(50) <input type="checkbox"/>	Butane/Propane 50 mbar	0.76mm	0.66mm	17.5kW 1272g/h
PL	I3B/P(37) <input type="checkbox"/>	Butane/Propane 37 mbar	0.82mm	0.66mm	17.2kW 1250g/h
Use Outdoors Only . Read the instructions before using the appliance. The gas cylinder should not be placed inside BBQ. Warning : Accessible parts may be very hot. Keep young children away.					 0063-16 Made in China

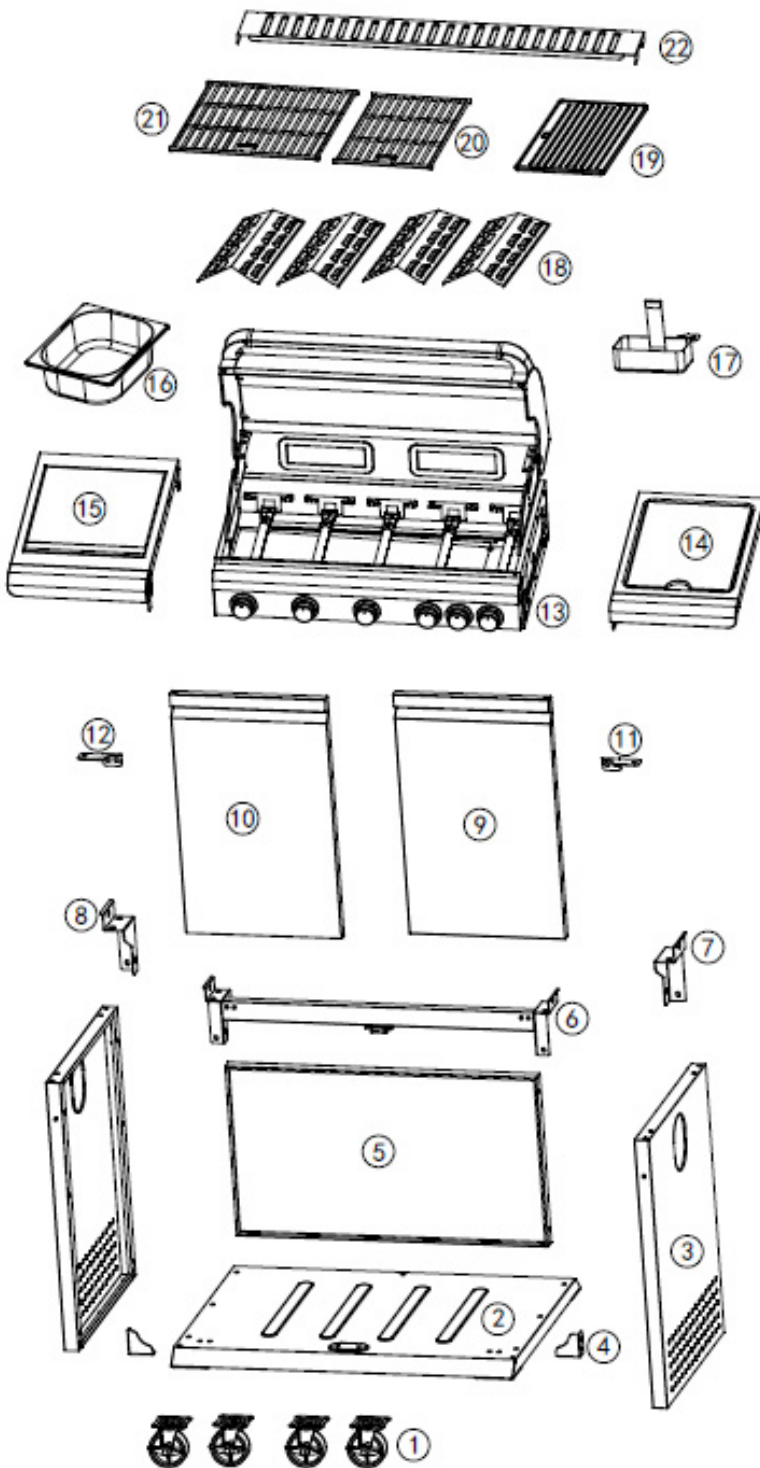
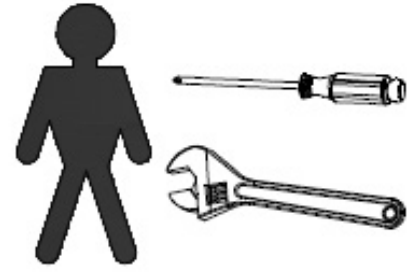
4. ASSEMBLY

- ❑ **WARNING!** Although we take every effort to ensure that the assembly process is as easy as possible, it is inherent with fabricated steel parts that corners and edges can cause cuts if improperly handled during assembly procedures. Be careful while handling any parts during assembly. It is strongly recommended that you protect hands with a pair of work gloves.



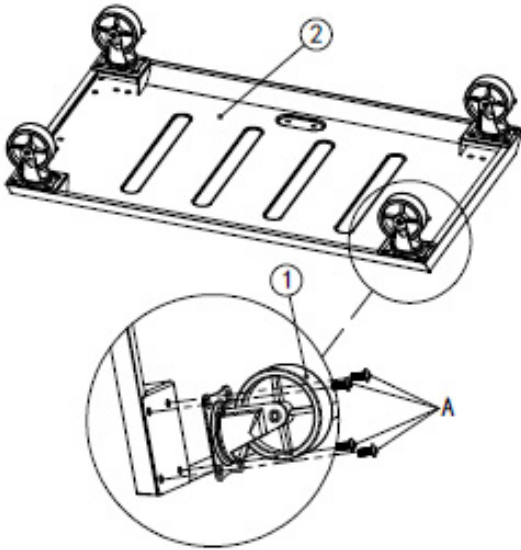
5. PARTS LIST

BBQ11



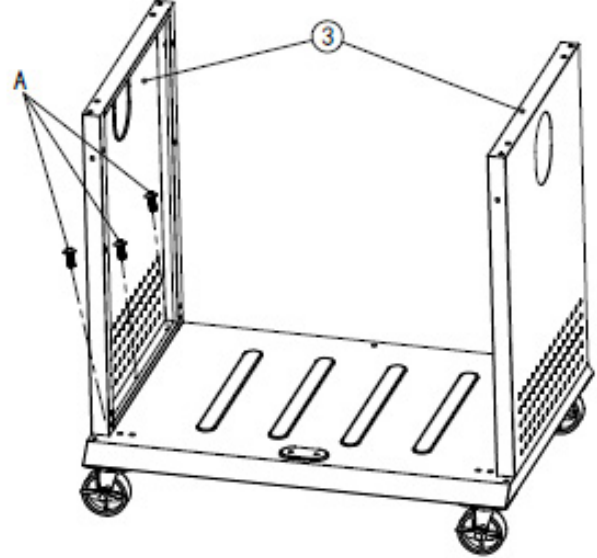
① *4 	② *1 	③ *2
④ *2 	⑤ *1 	⑥ *1
⑦ *1 	⑧ *1 	⑨ *1
⑩ *1 	⑪ *1 	⑫ *1
⑬ *1 	⑭ *1 	⑮ *1
⑯ *1 	⑰ *1 	⑱ *4
⑲ *1 	⑳ *1 	㉑ *1
㉒ *1 	/	
A M5-10*67 	B M4-8*2 	C M4-10*8
D *4 	E *1 	F *1

1



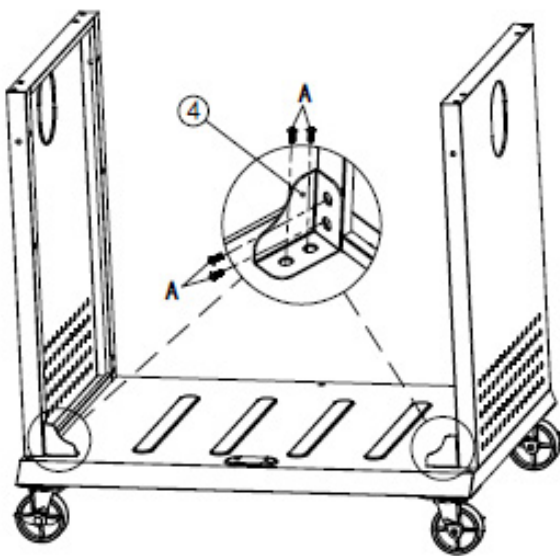
A		16PCS
---	---	-------


2



A		6PCS
---	---	------

3



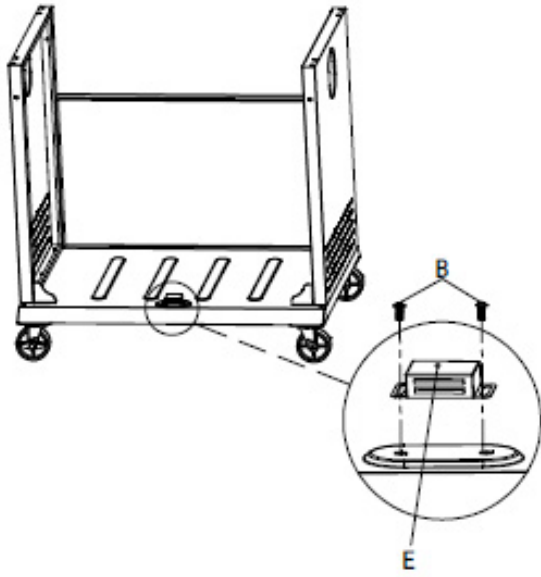
A		8PCS
---	---	------


4



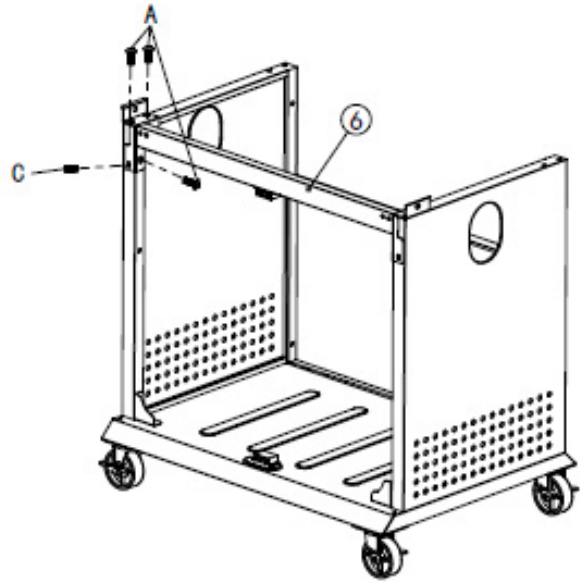
A		5PCS
---	---	------



5



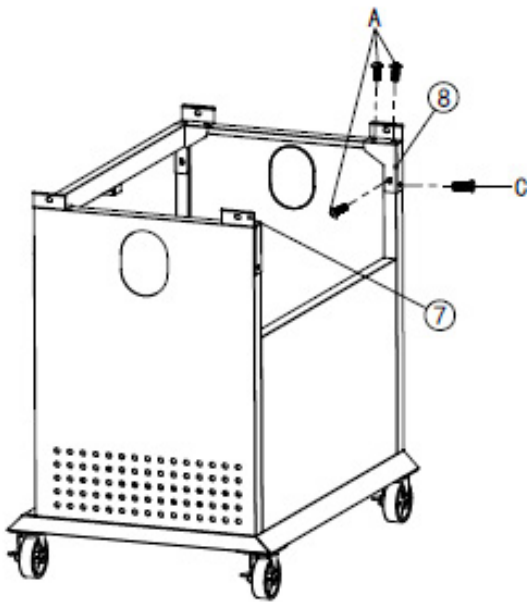
B		2PCS
E		1PCS



6



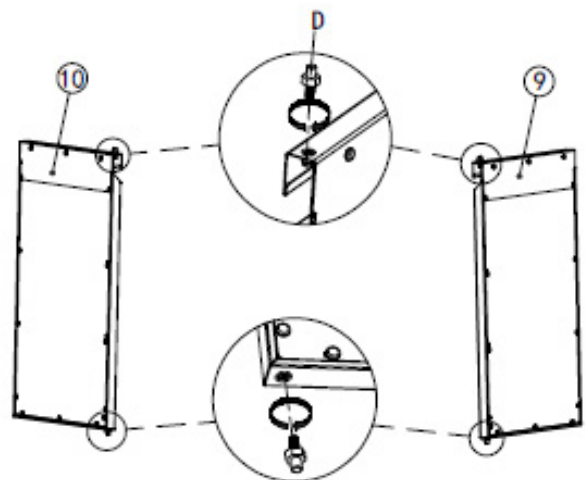
A		6PCS
C		2PCS

7



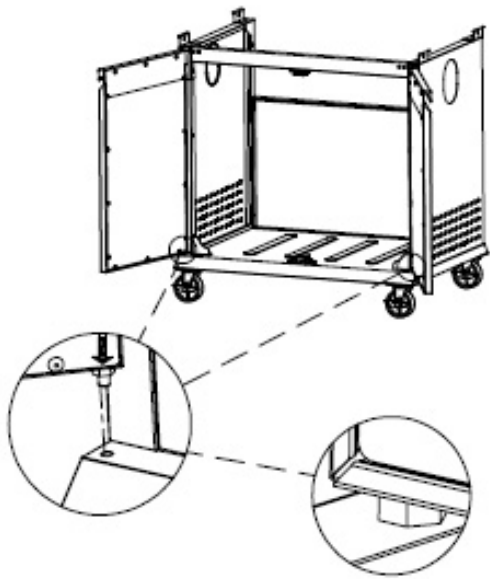
A		6PCS
C		2PCS

8

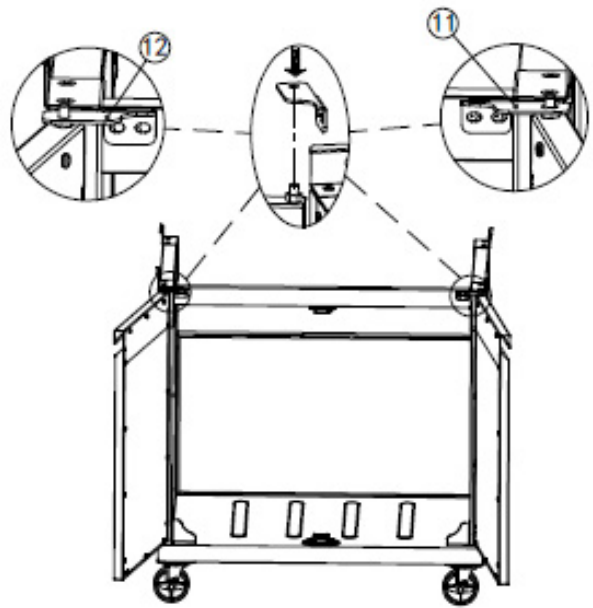


D		4PCS
---	---	------

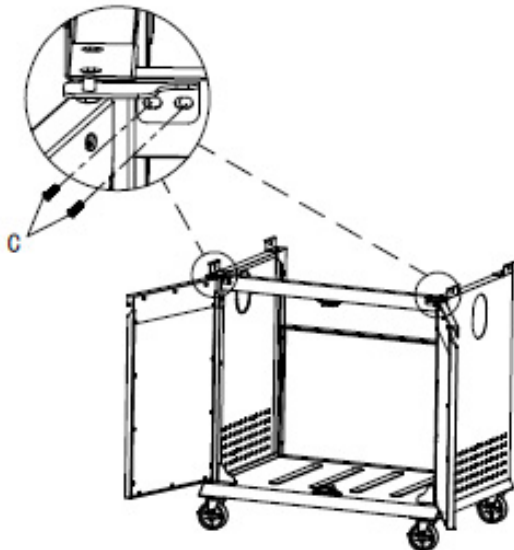
9



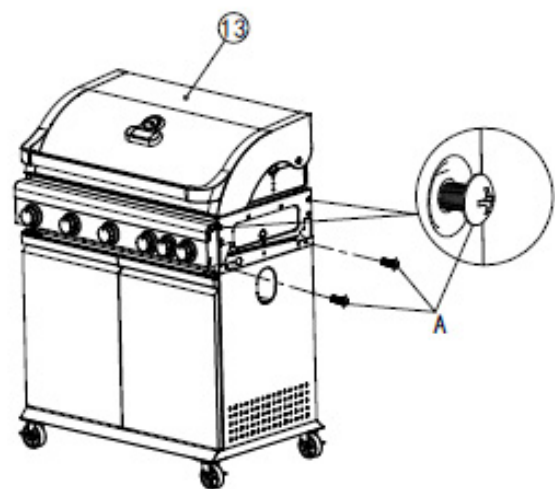
10



11



12



C



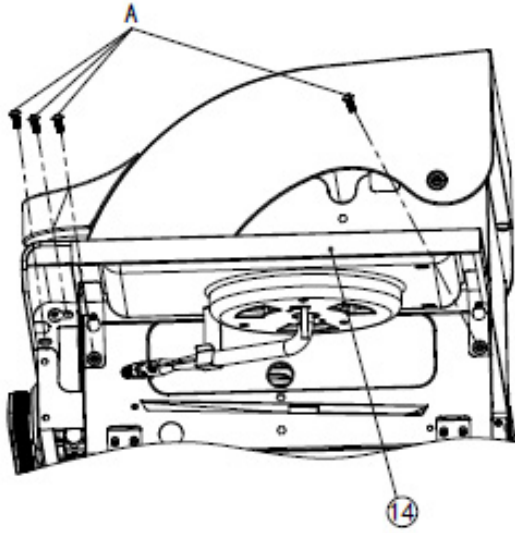
4PCS

A

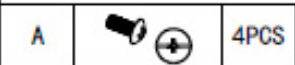
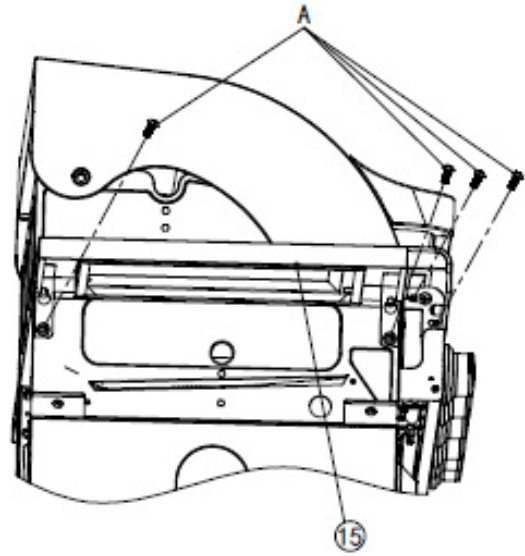


8PCS

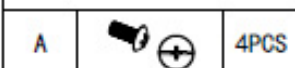
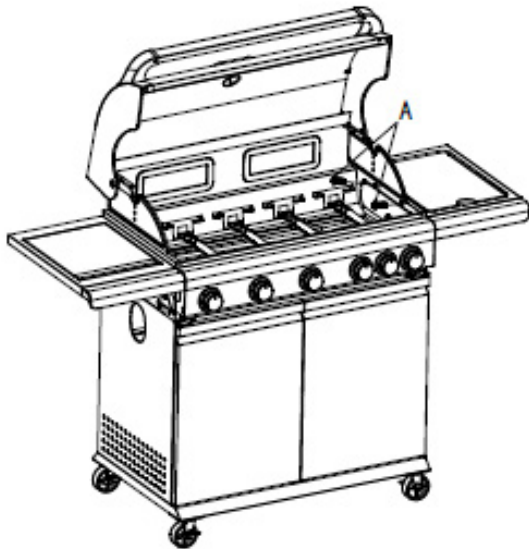
13



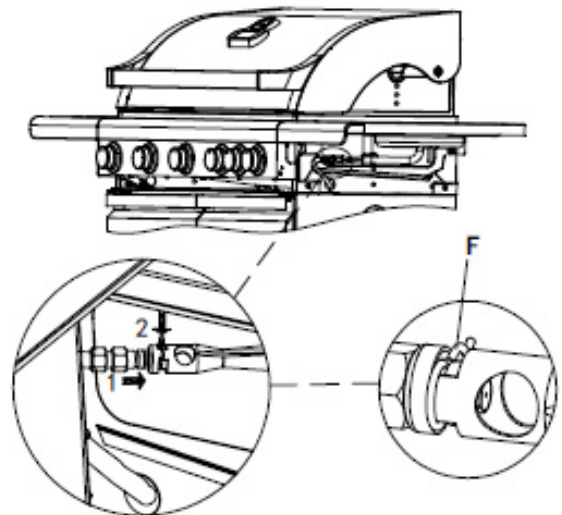
14



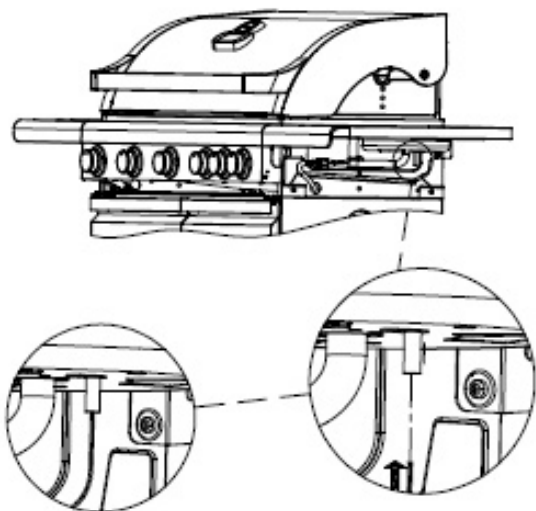
15



16



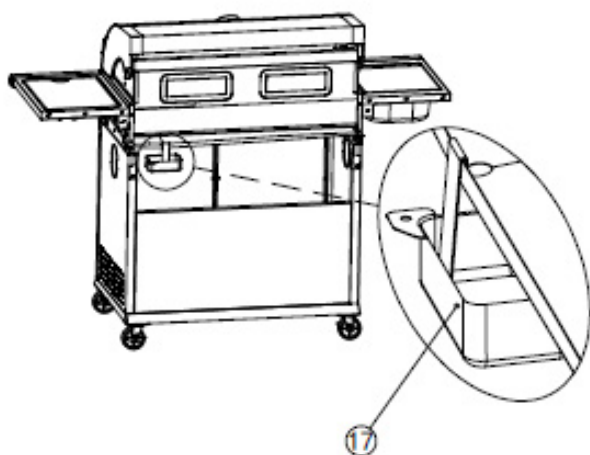
17



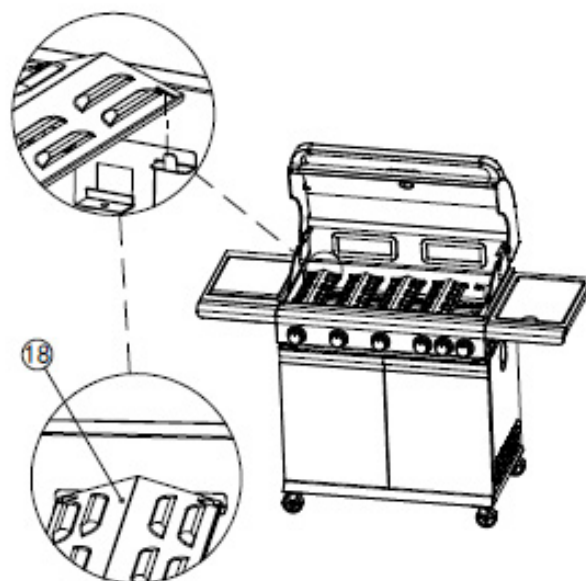
18



19



20



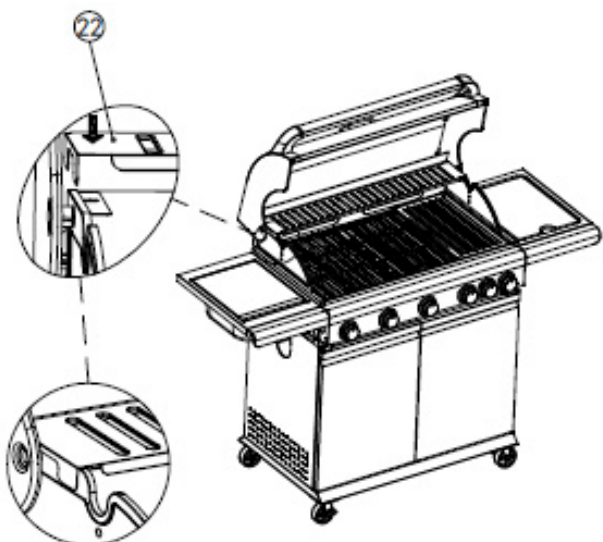
21



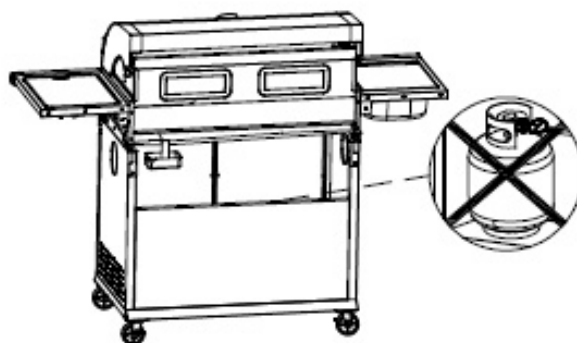
22



23

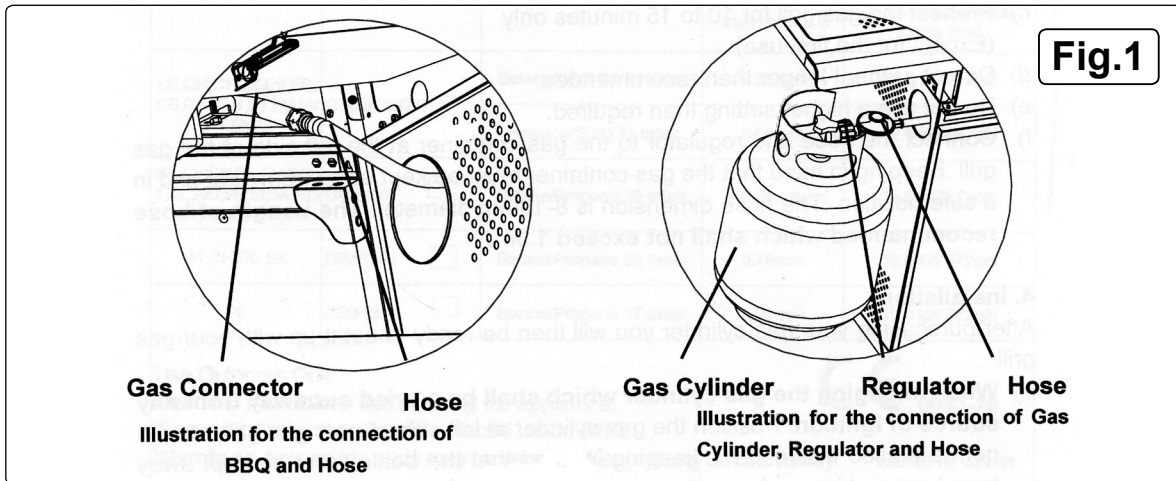


24



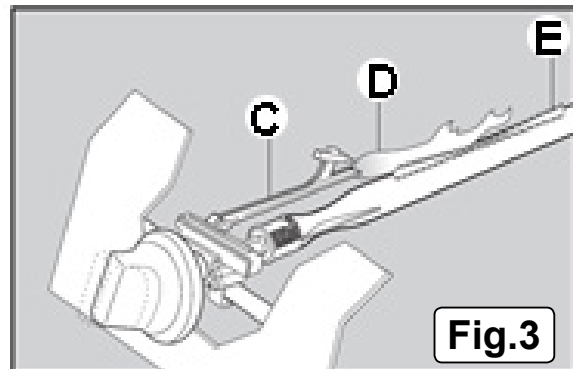
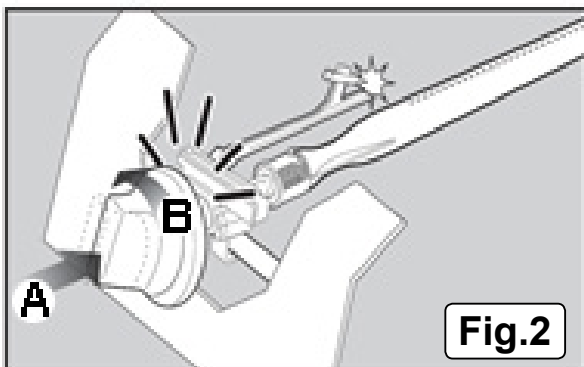
6. PREPARATION

- 6.1. **ATTACH THE GAS CYLINDER** See fig.1.
- 6.1.1. Position your gas cylinder at the side of your barbecue, **not underneath**, remember the cylinder must be kept away from heat, and be in a safe position.
- 6.1.2. Attach the regulator to the gas cylinder.
- 6.1.3. Perform the Gas Leak Test as described in Safety Precautions Section 1.
- 6.1.4. Check that all areas under the front panel are free from any obstructions (insects etc.). This area must be kept clean as this may affect the flow of combustion or of ventilation air.
- 6.1.5. Check the hose before each and every use, looking for cracks, cuts or any abrasions.
- 6.1.6. If the hose is found to be faulty in any way, **DO NOT** attempt to use your barbecue, replace the hose with one from your Sealey dealer.
- 6.1.7. Ensure the hose is free from any kinks or bends which will affect the gas flow, when using your barbecue. Also the hose must not have undue tension and must not touch any part of the barbecue which may be hot. The hose must not be longer than 1.5 metres.
- 6.1.8. When changing your gas cylinder ensure there are no sources of ignition nearby and make sure the barbecue is switched off.
- 6.1.9. The barbecue must be kept away from flammable materials.
- 6.1.10. **DO NOT** move the barbecue whilst in use.

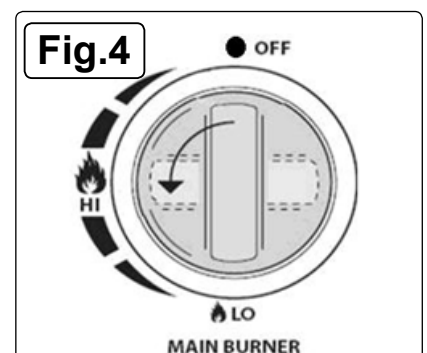


7. LIGHTING INSTRUCTIONS

- WARNING!** The lid must be open when lighting the barbecue.
 - WARNING! DO NOT** stand with your face directly over the barbecue when lighting it.
- 7.1. **PILOT GAS CONTROL IGNITION** Refer to figs.2, 3 and 4.
- 7.1.1. Make sure all gas controls on the barbecue are in the OFF position.
- 7.1.2. Turn the gas cylinder valve to the ON position at the regulator.
- 7.1.3. To create the spark press control knob A and hold it in for 3-5 seconds to allow gas to flow THEN turn ANTICLOCKWISE to HI (HIGH) see fig.2B. It will then send a spark to the lighting tube C. A “snap” will be heard from the igniter and an orange flame will be seen coming from the burner lighting tube at the left side of the burner D.

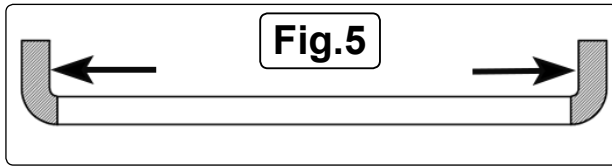


- 7.1.4. Continue to hold the burner control knob in for two seconds after the “snap”, this will allow gas to flow completely down the burner tube E and ensure ignition.
- 7.1.5. When the burner is alight, adjacent burners will cross light when their controls are turned to “HI” (HIGH).
- 7.1.6. At the HI (HIGH) setting the burner flame should be approximately 12 to 20mm long with a minimum of orange flame.
- 7.1.7. Turn the gas control fully ANTICLOCKWISE for the MINIMUM setting.
- WARNING!** If the burner does not light, turn the burner control knob to OFF and wait 5 minutes to let the gas clear before lighting again.



8. OPERATION

- 8.1. Food can be barbecued with the lid open or closed. When the lid is closed for 5 minutes, the lid must be opened for 1 minute to release heat.
- **WARNING!** The black area of the handles (refer to fig.5) will become hot when the barbecue is in use. **DO NOT** touch the black area.



9. MAINTENANCE

9.1. CLEANING

- 9.1.1. To clean the barbecue, turn the burner on for 5 to 10 minutes. Grease will be burned off from the grill as well as the Flame Tamer Plate.
- 9.1.2. Ensure the barbecue is cold before continuing. The grill should be cleaned periodically by soaking and washing in soapy water. Use a wire brush, steel wool or a scouring pad to remove stubborn spots. Always rinse thoroughly with clean water.
- 9.1.3. The interior surfaces of the grill housing cover should be washed with hot soapy water.
- 9.1.4. Regularly clean the drip tray reservoir with hot soapy water. It is sited beneath the barbecue at the back and will be hot whilst the barbecue is in use, see assembly picture 15, part number 18.
- 9.1.5. Periodically check the burner to see that it is free from insects and spiders which may block the gas system.
- 9.1.6. Clean the venturi tube on the burner very carefully, checking to see that it is free of obstructions. We recommend the use of a pipe cleaner to clean the venturi tube area.
- 9.1.7. Any modifications of this appliance may be dangerous and is not permitted. **DO NOT** alter parts sealed by the manufacturer.

9.2. STORAGE

- 9.2.1. The gas bottle must be stored outdoors in a well ventilated area and must be disconnected from your barbecue when not being used.
- 9.2.2. Ensure that you are outside and well away from any sources of ignition before disconnecting your bottle.
- 9.2.3. When using your barbecue after a period of storage, check for gas leaks and for any obstructions in the burner before using. Also follow the cleaning instructions to ensure the barbecue is safe. Check that areas under the lid and flame tamer are free from any obstruction, (insect, ingress etc.). This area must be kept clean, as it may affect the flow of combustion or air.
- 9.2.4. We recommend you use a barbecue cover to protect this item when not in use. Ensure it is cool before the cover is used. Covers must be removed periodically to minimise moisture build up.

10. TROUBLESHOOTING

Problem	Possible cause	Solution
Burners will not light using the ignition system.	Gas cylinder empty. Faulty regulator. Obstructions in burner. Obstructions in gas jet or gas hose. Wire is loose or disconnected on electrode or ignition unit. Electrode or wire is damaged or faulty push button igniter. The distance between the burner and the electrode pin is too large or too small	Replace with full cylinder. Have regulator checked or replace. Cleans jets and gas hose. Reconnect wire. Change electrode wire or change igniter. Check and ensure the distance between the burner and the electrode pin is 3-5mm.
Low flame or flashback (flame in burner tube, a hissing or roaring noise may be heard).	Gas cylinder is too small. Obstructions in burner. Obstructions in gas jets or gas hose. Windy conditions.	Use larger cylinder. Clean burner. Clean jets and gas hose. Use barbecue in a more sheltered position.



Environmental Protection
Recycle unwanted materials instead of disposing of them as waste. All tools, accessories and packaging should be sorted, taken to a recycling centre and disposed of in a manner which is compatible with the environment.
When the product becomes completely unserviceable and requires disposal, drain off any fluids (if applicable) into approved containers and dispose of the product and the fluids according to local regulations.

NOTE: It is our policy to continually improve products and as such we reserve the right to alter data, specifications and component parts without prior notice.

IMPORTANT: No liability is accepted for incorrect use of this product.

WARRANTY: Guarantee is 12 months from purchase date, proof of which will be required for any claim.



Sole UK Distributor, Sealey Group.
Kempson Way, Suffolk Business Park,
Bury St. Edmunds, Suffolk.
IP32 7AR



01284 757500



01284 703534



www.sealey.co.uk



sales@sealey.co.uk