



INSTRUCTIONS FOR:
GAS BBQ 4 BURNER
MODEL NO: **BBQ08**

Thank you for purchasing a Sealey product. Manufactured to a high standard, this product will, if used according to these instructions, and properly maintained, give you years of trouble free performance.

IMPORTANT: PLEASE READ THESE INSTRUCTIONS CAREFULLY. NOTE THE SAFE OPERATIONAL REQUIREMENTS, WARNINGS & CAUTIONS. USE THE PRODUCT CORRECTLY AND WITH CARE FOR THE PURPOSE FOR WHICH IT IS INTENDED. FAILURE TO DO SO MAY CAUSE DAMAGE AND/OR PERSONAL INJURY AND WILL INVALIDATE THE WARRANTY. KEEP THESE INSTRUCTIONS SAFE FOR FUTURE USE.



Read Instruction manual



Hot Surfaces



Wear Protective gloves

1. SAFETY

1.1. GENERAL SAFETY

- WARNING!** The warnings, cautions and instructions in this manual cannot cover all possible conditions and situations that may occur. It must be understood by the operator that common sense and caution are factors which cannot be built into this product, but must be applied by the operator.
- WARNING!** Hazardous fire or explosion may result if instructions are ignored.
- WARNING!** Never use a flame to do the leak test and ensure no naked flames are nearby when doing the leakage test.
- WARNING!** Accessible parts may be very hot. Keep young children and pets away.
- WARNING!** If you smell gas: turn off the gas supply at the bottle, extinguish all naked flames, **DO NOT** operate any electrical appliances, check for leaks as detailed in this manual. If odour persists, contact your Sealey dealer.
- WARNING!** Any modification to this appliance may be dangerous and is absolutely not permitted.
- WARNING!** The hood must always be open when lighting the burner.
- Read the instructions carefully before assembly and retain this manual for future reference.
- Use outdoors only, stand on a level surface, remember hot fat may drip out of the drip tray
- Handle the hot barbecue with the help of oven gloves.
- Leak test all connections after each tank refill.
- The barbecue should be cleaned on a regular basis. Take care not to enlarge burner ports or orifice openings when cleaning the burner or valves.
- Always do the gas leak check before you use the barbecue. Test the leakage on all the connections where gas passes by.
- Connect the regulator and hose onto the gas tank and the burner, close all the valves by turning the control knobs to the "OFF" (fully clockwise) position.
- Put soapy water on all the connections where the gas reaches. Open the gas tank valve and regulator. If bubbles are seen, tighten the connection if bubbles are still seen, close all valves, turn off the regulator and contact your Sealey dealer for help. Never use the barbecue with a leak.
- The gas leak check must be done when first connecting the barbecue and every time the gas bottle is changed.
- The gas bottle can only be changed by a competent person.
- The hood must always be open when lighting the burner.
- Use oven gloves and sturdy long handled barbecue tools when cooking on the grill.
- Be prepared if an accident or fire should occur. Know where your first aid kit and fire extinguishers are and how to use them correctly.
- Keep any electrical supply cord and the fuel supply hose away from any heated surfaces.
- Ensure the appliance has completely cooled before storing.
- It is essential to use the flame tamer plates (fig.3). (fits immediately above the burners and beneath the grilles)
- Cylinders must be stored outdoors, upright and out of reach of children. Protect cylinder from high temperatures and replace the plastic port cap.
- This gas barbecue is designed for outside use only.
- DO NOT** use in high winds.
- DO NOT** move the barbecue whilst it is in operation.
- DO NOT** operate if there is a gas leak.
- DO NOT** attempt to disconnect any gas fitting if your barbecue is being used, including the gas hose and regulator.
- DO NOT** leave unattended, from being lit to fully cooled.
- DO NOT** use this barbecue in a garage or any enclosed area. Keep the surrounding area clear, at least 1.0m from any combustible materials and 0.5m from a brick wall.
- DO NOT** attempt any unauthorised interference of the main controls on this barbecue, i.e. gas taps, injectors, valve etc.
- DO NOT** attempt to use charcoal in this barbecue.
- DO NOT** position on a surface that may be damaged by hot fat or heat.
- DO NOT** store petrol or other flammable vapours or liquids in the vicinity of this barbecue.

NOTE: This appliance is not intended for use by persons (including children) with reduced physical, sensory or mental capabilities or lack of experience and knowledge, unless they have been given supervision or instruction concerning the use of the appliance by a person responsible for their safety. Children should be supervised to ensure that they do not play with the appliance.

2. INTRODUCTION



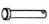






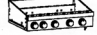









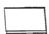




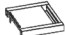
4 Burner gas barbecue with stainless steel burner and single shot piezo igniter. Further features, three piece enamelled steel cooking grill, built in temperature gauge, under grill storage cabinet and flame tamer plate. Supplied with gas clip on propane regulator for use with patio gas bottles.

3. SPECIFICATION

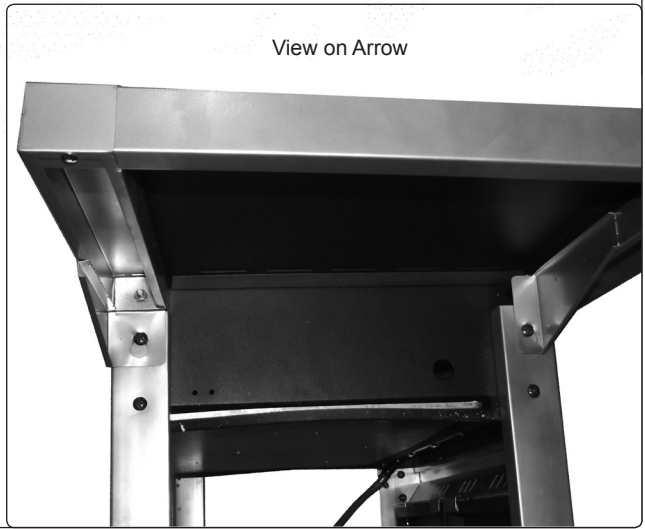
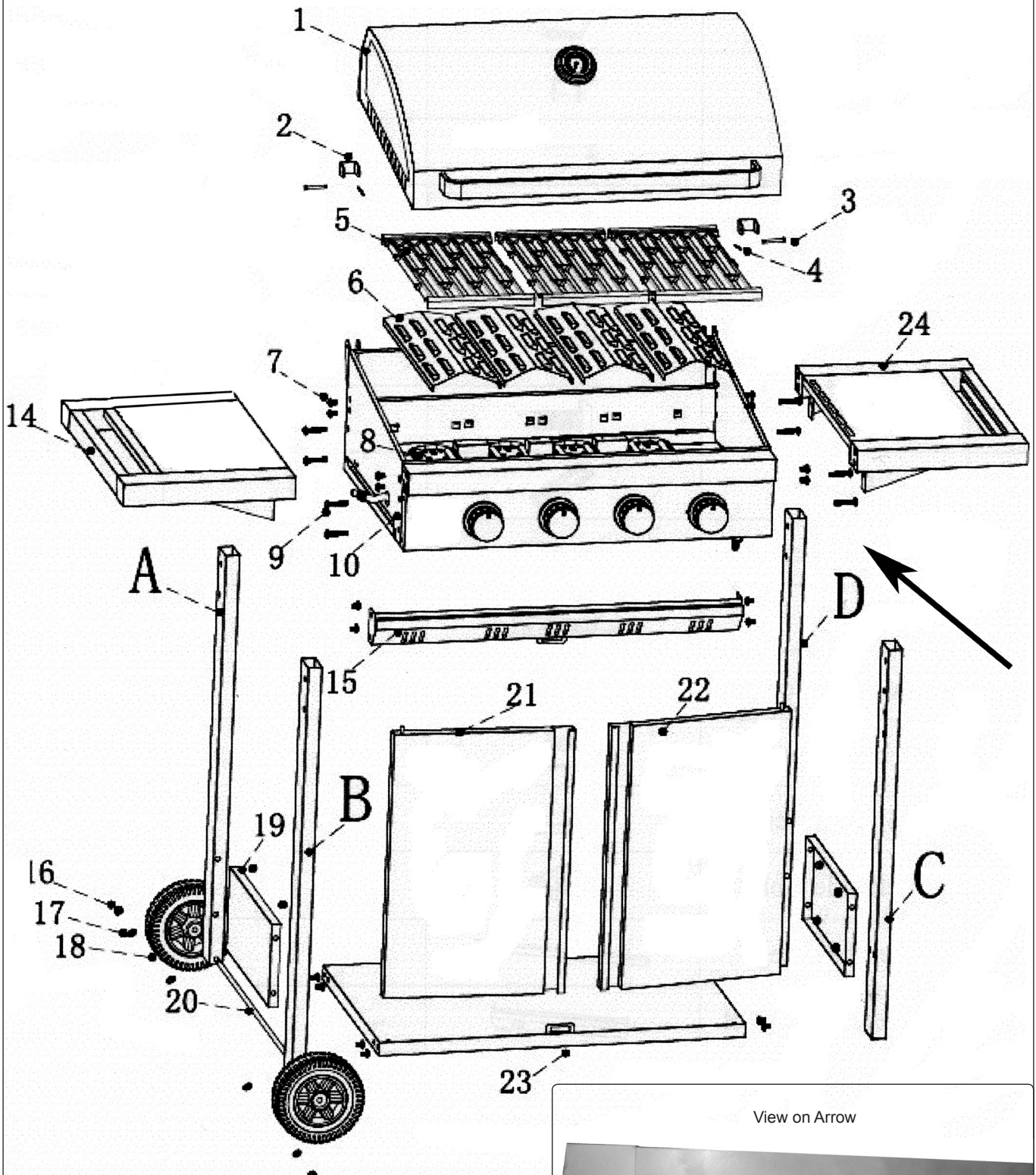
MODEL:BBQ08
 Dimensions (WxDxH): 1230 x 510 x 1060mm
 Cooking Area: 635 x 380mm (2394cm²)
 Gas Category: I3+(28-30/37mbar)
 Heat Output 12.8kw

Type of gas	Gas Pressure
Butane	28-30mbar
Propane	37mbar

4. CONTENTS

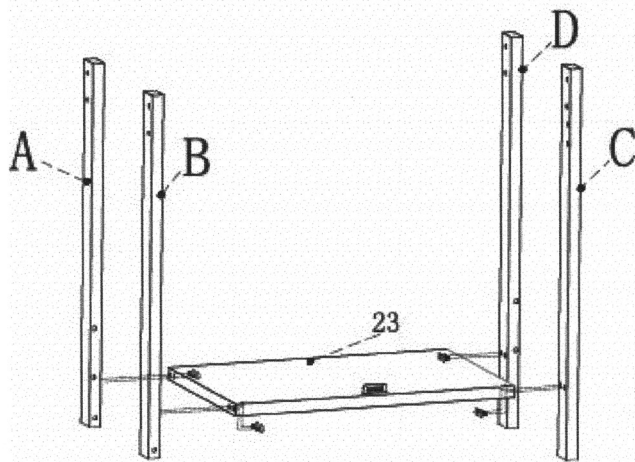
NO	Description	Part	Qty
01	LID		1
02	Hinge		2
03	Pin		2
04	R-clip		2
05	Cooking Grill		3
06	Flame tamer		4
07	M6X10 Screw		28
08	Burner		4
09	M6X35 Screw		8
10	Body		1
11	N/A		
12	N/A		
13	N/A		
14	Left side table		1
A	Left back leg		1
15	Horizontal support		1
16	M8 Lock Nut		2
17	Φ8 washer		4
18	Wheel		2
19	Side sheet		2
B	Left front leg		1
20	Axle		1
21	Left Door		1
22	Right Door		1
23	Bottom sheet		1
C	Right front leg		1
D	Right back leg		1
24	Right side table		1

5. ASSEMBLY



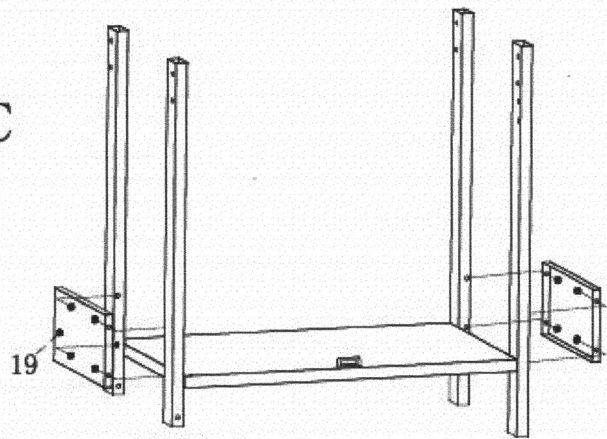
STEP 1

M6X10 (8 PCS)



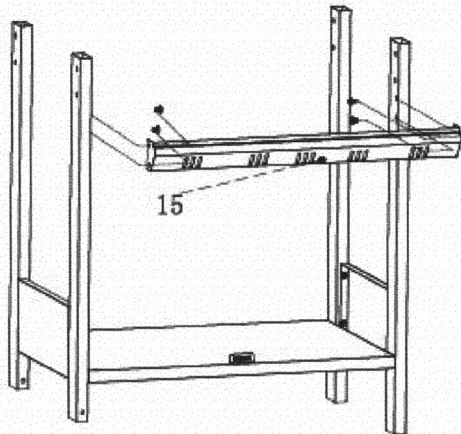
STEP 2

M6X10 (8 PCS)



STEP 3

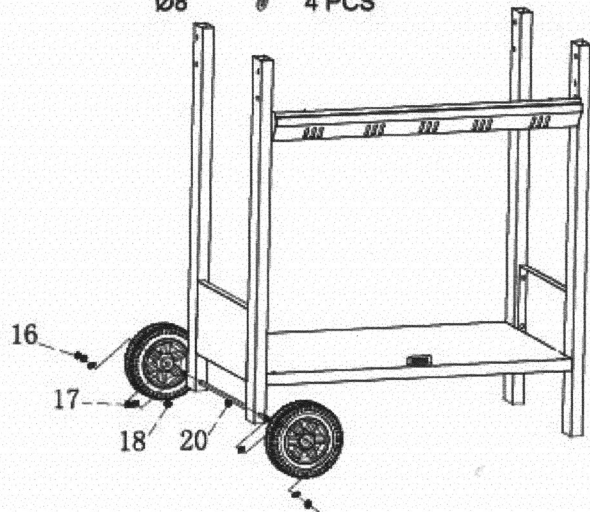
M6X10 (4 PCS)



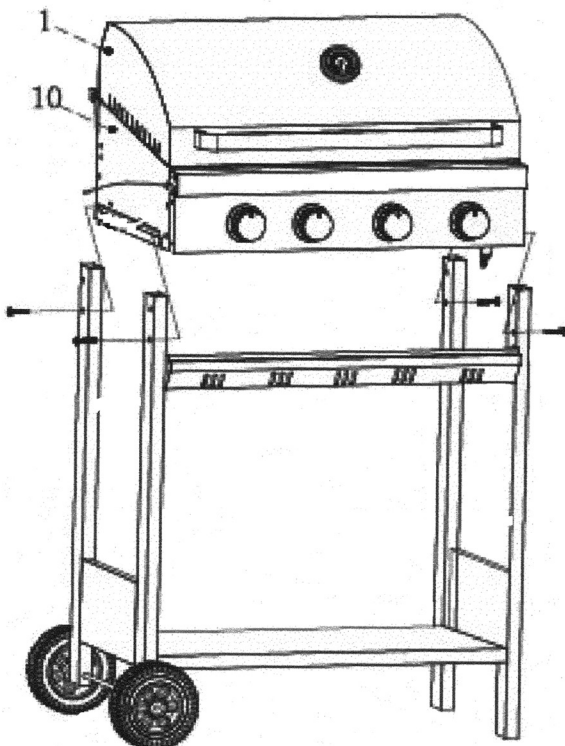
STEP 4

M8 Nut (2 PCS)

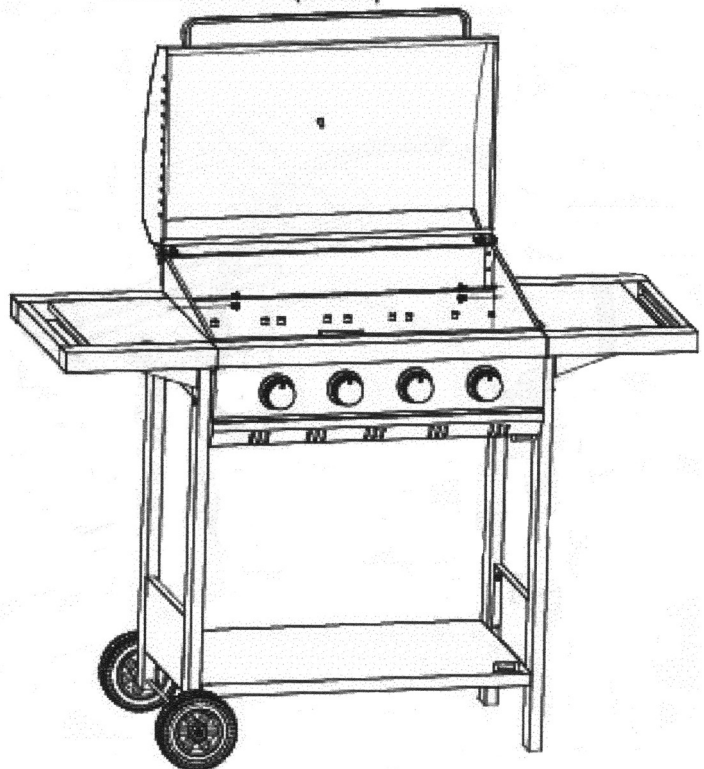
Ø8 (4 PCS)

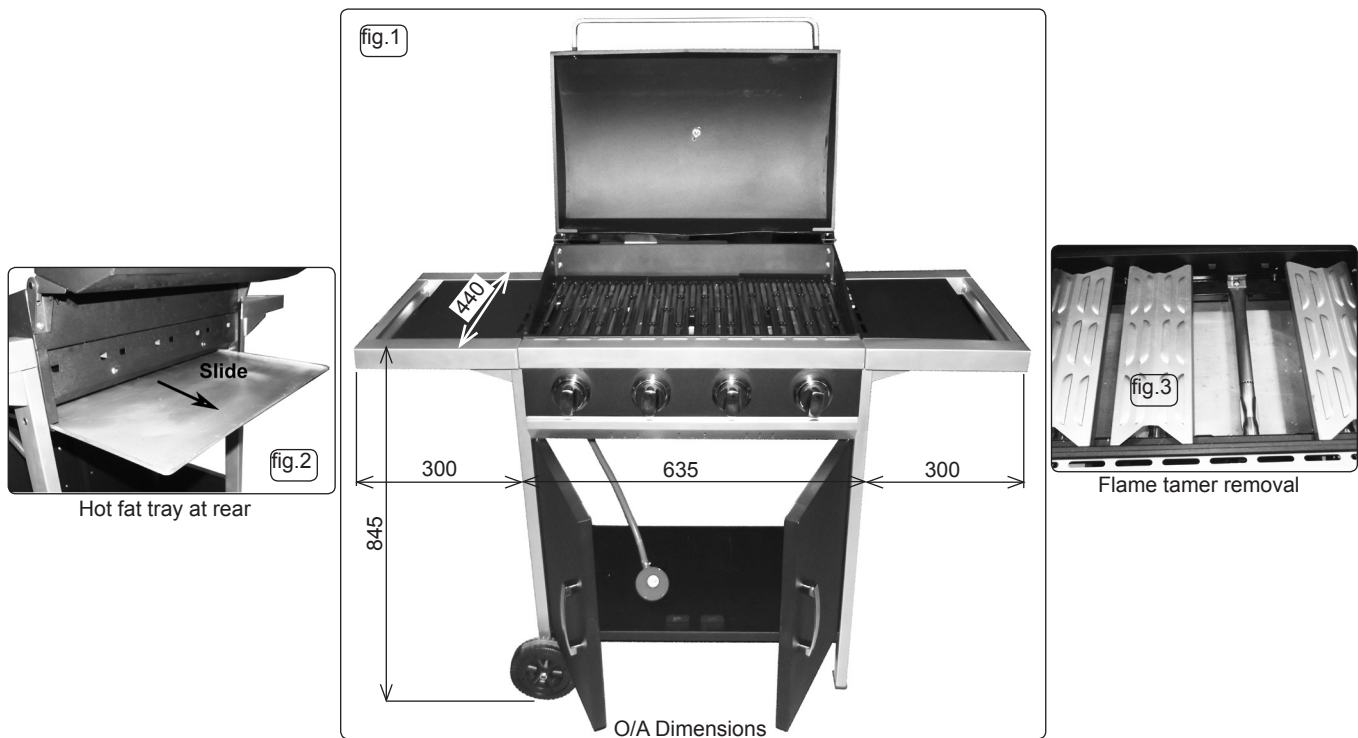


M6X35 (4 PCS)

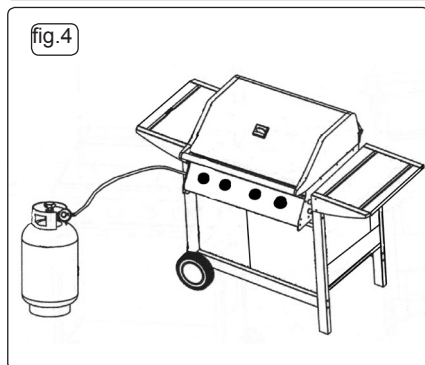


M6X10 (4 PCS)

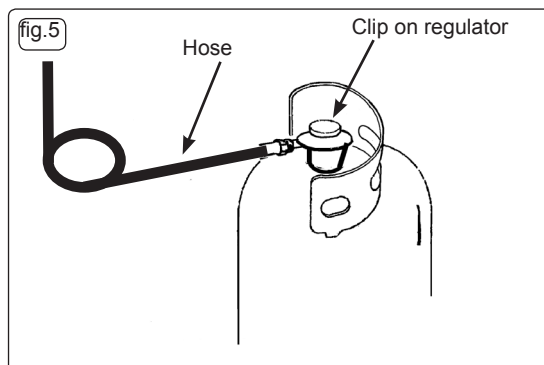




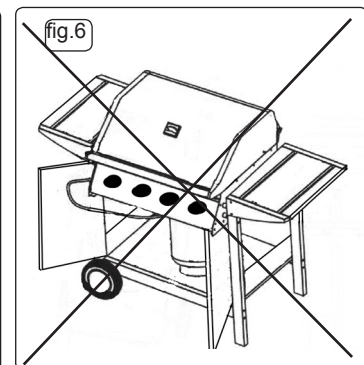
5. OPERATION



Position the bottle away from the BBQ.



Connection to the bottle



DO NOT position the bottle inside the utility compartment.

To operate this barbecue you will need to purchase a gas bottle (fig.5), 5-15kg.

5.1 INSTALLATION

- 5.1.1. The gas flame tamer plates (fig.3), if tie wrapped for transporting, these tie wraps must be removed.
- 5.1.2. Position your gas bottle at the side of your barbecue (fig.4), **not underneath (fig.6)**, remember the bottle must be kept away from heat, and be in a safe position.
- 5.1.3. Attach the regulator to the gas bottle (fig.5).
- 5.1.4. Perform the Gas Leak Test as described in Safety Precautions Section 1 and Maintenance Section 6.2.
- 5.1.5. Check the hose before each and every use, looking for cracks, cuts or any abrasions.
- 5.1.6. If the hose is found to be faulty in any way, **DO NOT** attempt to use your barbecue, replace the hose with one from your Sealey dealer.
- 5.1.7. Ensure the hose is free from any kinks or bends which will affect the gas flow, when using your barbecue. Also the hose must not have undue tension and must not touch any part of the barbecue which may be hot.
- 5.1.8. When changing your gas bottle ensure there are no sources of ignition nearby and make sure the barbecue is switched off.
- 5.1.9. The barbecue must be kept away from flammable materials.

5.2 LIGHTING INSTRUCTIONS

- WARNING! The gas supply must be turned off at the gas bottle when the barbecue is not in use.**
- WARNING! The hood must be open when lighting the burner.**

- 5.2.1. Open the barbecue hood, then open the gas control valve fully [ACW] (fig.3).
- 5.2.2. Push down the required control knob and turn it anti clockwise to the "Hi" position, a click will be heard. This will generate a spark and light the burner, wait momentarily then release the knob. Try again 3 or 4 times if the burner does not light on the first occasion.
- 5.2.3. If the burner does not light, turn the gas control valve to the OFF [fully clockwise] position and wait five minutes, then repeat steps in 5.2.1. and 5.2.2.
- 5.2.4. To adjust the flame, turn the control knob to low [CW] or high position [ACW].
- 5.2.5. Turn the control knob to the OFF position [fully clockwise] to shut down the burner.

5.3. COOKING

- 5.3.1. Before cooking for the first time, operate the barbecue for about 15 minutes with the gas turned HIGH to "heat clean" grilles. Also burn off excessive food residues after each use.
- 5.3.2. A "slide out" hot fat capture tray is mounted beneath the burners (fig.2). Remove the tray only when the barbecue has cooled.

6. MAINTENANCE

6.1 CLEANING INSTRUCTIONS

- 6.1.1. To clean the barbecue, turn the burner on for 5 to 10 minutes. Grease will be burned off from the grill as well as the Flame Tamer Plate.
- 6.1.2. Ensure the barbecue is cold before continuing. The grill should be cleaned periodically by soaking and washing in soapy water. Use a wire brush, steel wool or a scouring pad to remove stubborn spots. Always rinse thoroughly with clean water.
- 6.1.3. The interior surfaces of the grill housing cover should be washed with hot soapy water.
- 6.1.4. Regularly clean the drip tray reservoir with hot soapy water. It is sited beneath the barbecue burners and will be hot whilst the barbecue is in use (fig.18).
- 6.1.5. Periodically check the burner to see that it is free from insects and spiders which may block the gas system.
- 6.1.6. Clean the venturi tube (fig.14) on the burner very carefully, checking to see that it is free of obstructions. We recommend the use of a pipe cleaner to clean the venturi tube area.
- 6.1.7. Any modifications of this appliance may be dangerous and is not permitted. **DO NOT** alter parts sealed by the manufacturer.

6.2 STORAGE

- 6.2.1. The gas bottle must be stored outdoors in a well ventilated area and must be disconnected from your barbecue when not being used.
- 6.2.2. Ensure that you are outside and well away from any sources of ignition before disconnecting your bottle.
- 6.2.3. When using your barbecue after a period of storage, check for gas leaks and for any obstructions in the burner before using. Also follow the cleaning instructions to ensure the barbecue is safe. Check that areas under the lid and flame tamer are free from any obstruction, (insect, ingress etc.). This area must be kept clean, as it may affect the flow of combustion or air.
- 6.2.4. We recommend you use a barbecue cover to protect this item when not in use. Ensure it is cool before the cover is used. Covers must be removed periodically to minimise moisture build up.

7. TROUBLESHOOTING

Problem	Possible Cause	Solution
Burners will not light using the ignition system.	Gas cylinder is empty. Faulty regulator. Obstructions in burner. Obstructions in gas jets or gas hose. Wire is loose or disconnected on electrode or ignition unit. Electrode or wire is damaged or faulty push button igniter. The distance between the burner and the electrode pin is too large or too small.	Replace with full cylinder. Have regulator checked or replace. Clean burner. Clean jets and gas hose. Reconnect wire. Change electrode or wire or change igniter. Check and ensure the distance between the burner and the electrode pin is 2-4mm.
Low flame or flashback (fire in burner tube, a hissing or roaring noise may be heard).	Gas cylinder is too small. Obstructions in burner. Obstructions in gas jets or gas hose. Windy conditions.	Use larger cylinder. Clean burner. Clean jets and gas hose. Use barbecue in a more sheltered position.



Environmental Protection.

Recycle unwanted materials instead of disposing of them as waste. All tools, accessories and packaging should be sorted, taken to a recycle centre and disposed of in a manner which is compatible with the environment.

Parts support is available for this product. To obtain a parts listing and/or diagram, please log on to www.sealey.co.uk, email sales@sealey.co.uk or phone 01284 757500.

NOTE: It is our policy to continually improve products and as such we reserve the right to alter data, specifications and component parts without prior notice.

IMPORTANT: No liability is accepted for incorrect use of this product.

WARRANTY: Guarantee is 12 months from purchase date, proof of which will be required for any claim.



Sole UK Distributor, Sealey Group,
Kempson Way, Suffolk Business Park,
Bury St. Edmunds, Suffolk,
IP32 7AR



01284 757500



www.sealey.co.uk



01284 703534



sales@sealey.co.uk