



INSTRUCTIONS FOR:
GAS BBQ'S 3 & 4 BURNER
MODEL No's: **BBQ05 & BBQ06**

Thank you for purchasing a Sealey product. Manufactured to a high standard this product will, if used according to these instructions and properly maintained, give you years of trouble free performance.

IMPORTANT: PLEASE READ THESE INSTRUCTIONS CAREFULLY. NOTE THE SAFE OPERATIONAL REQUIREMENTS, WARNINGS & CAUTIONS. USE THE PRODUCT CORRECTLY AND WITH CARE FOR THE PURPOSE FOR WHICH IT IS INTENDED. FAILURE TO DO SO MAY CAUSE DAMAGE AND/OR PERSONAL INJURY AND WILL INVALIDATE THE WARRANTY. PLEASE KEEP INSTRUCTIONS SAFE FOR FUTURE USE.

1. SAFETY INSTRUCTIONS

1.1. GENERAL SAFETY

- WARNING! Hazardous fire or explosion may result if instructions are ignored.**
- ✓ Use outdoors only.
- ✓ Read the instructions carefully before assembly and retain this manual for future reference.
- WARNING! Accessable parts may be very hot. Keep young children away.**
- WARNING! Any modification to this appliance may be dangerous and is absolutely not permitted.**
- ✓ Leak test all connections after each tank refill.
- x Never check for leaks with a match or an open flame.
- x Do not store petrol or other flammable vapours or liquids in the vicinity of this or any other appliance.
- x Any LP cylinder not connected for use should not be stored in the vicinity of this or any other appliance.
- WARNING! If you smell gas: turn off the gas supply at the bottle, extinguish all naked flames, do not operate any electrical appliances, check for leaks as detailed in this manual. If odour persists, contact your Sealey dealer.**
- x This gas barbecue is designed for outside use only.
- x **DO NOT** move the barbecue whilst it is in operation.
- x **DO NOT** operate if there is a gas leak.
- x **DO NOT** attempt to disconnect any gas fitting if your barbecue is being used, including the gas hose and regulator.
- x **DO NOT** when operating your barbecue, leave it unattended.
- ✓ The barbecue should be cleaned on a regular basis. Take care not to enlarge burner ports or orifice openings when cleaning the burner or valves.
- x **DO NOT** use this barbecue in a garage or any enclosed area. Keep the area it is being used in clear (at least one metre) of any combustible materials.
- x **DO NOT** attempt any unauthorised interference of the main controls on this barbecue, i.e. gas taps, injectors, valve etc.
- x **DO NOT** attempt to use charcoal in this barbecue only use the flame tamer plate.
- x The lid must always be open when lighting the burner.
- x Use oven gloves and sturdy long handled barbecue tools when cooking on the grill.
- x Be prepared if an accident or fire should occur. Know where your first aid kit and fire extinguishers are and how to use them correctly.
- x Keep any electrical supply cord and the fuel supply hose away from any heated surfaces.
- x Always cook with great care.
- x Stand on a level surface.
- x Keep pets and children at a safe distance.
- x Remember hot fat may drip out of the fire bowl.
- x Do not light barbecue on a surface that may be damaged by hot fat or heat.
- x The barbecue will become hot so handle with the help of oven gloves.
- x Ensure the appliance has completely cooled before storing.

NOTE: This appliance is not intended for use by persons (including children) with reduced physical, sensory or mental capabilities or lack of experience and knowledge, unless they have been given supervision or instruction concerning the use of the appliance by a person responsible for their safety. Children should be supervised to ensure they do not play with the appliance.

1.2 GAS SAFETY PRECAUTIONS

- 1.2.1. Always do the gas leak check before you use the grill. Test the leakage on all the connections where gas passes by.
- 1.2.2. Connect the regulator and hose onto the gas bottle and the grill, close all the valves by turning the control knobs to the "OFF" position.
- 1.2.3. Put soapy water on all the connections where the gas reaches. Open the gas bottle valve and regulator. If bubbles are seen, tighten the connection, if bubbles are still seen, close all valves, turn off the regulator and contact your Sealey dealer for help. Never use the barbecue with a leak.
- WARNING! Never use a flame to do the leak test and ensure no naked flames are nearby when doing the leakage test.**
- 1.2.4. The gas leak check must be done when first connecting the barbecue and every time the gas bottle is changed.
- 1.2.5. The gas bottle can only be changed by a competent person.

2. INTRODUCTION & SPECIFICATION

BBQ05

Three burner gas barbecue with built in piezoelectric igniter, porcelain enamel finished wire grill and warming rack. Stainless steel burner, temperature gauge and flame tamer. Two wheeled stand for manoeuvrability, useful side shelves and lower shelf for storage and stability. Complete with propane gas clip-on regulator.

BBQ06

Four burner gas barbecue with built in piezoelectric igniter, porcelain enamel finished wire grill and steel warming rack. Stainless steel burner, temperature gauge and flame tamer. Two wheeled stand for manoeuvrability, useful side shelves and lower shelf for storage and stability. Complete with propane gas clip-on regulator.

Model No:	BBQ05	BBQ06
Dimensions:	1270x590x1070mm	1360x590x1070mm
Cooking Area:	550x400mm	640x390mm
Gas Types (For Both Barbecues):	Propane, Butane (Propane Regulator Supplied)	
Heat Output:	8.1kw	10.8kw



fig.1



fig.2

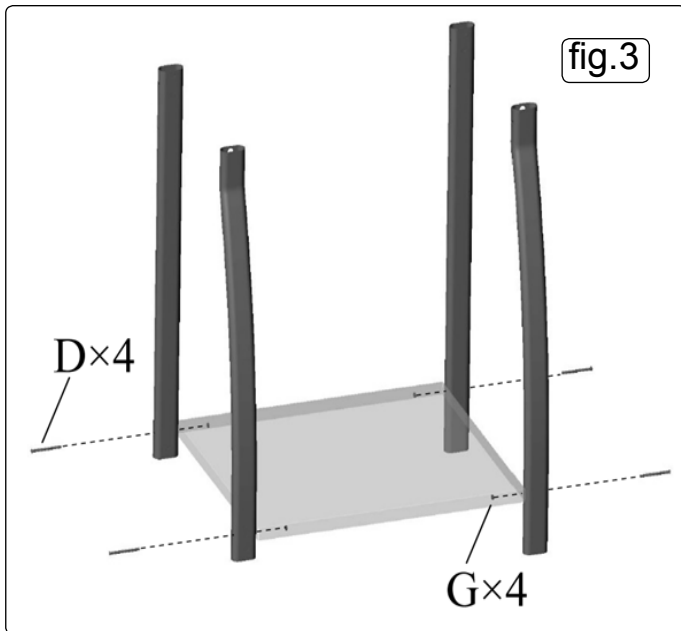


fig.3

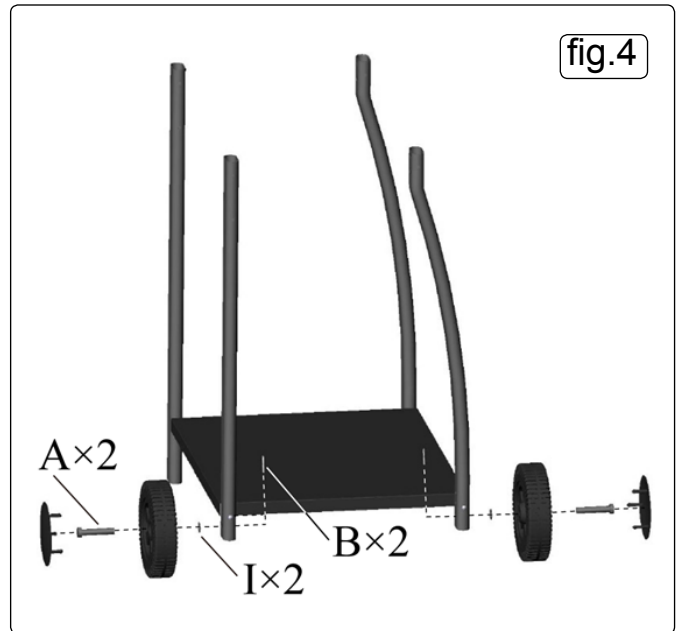


fig.4

3. ASSEMBLY

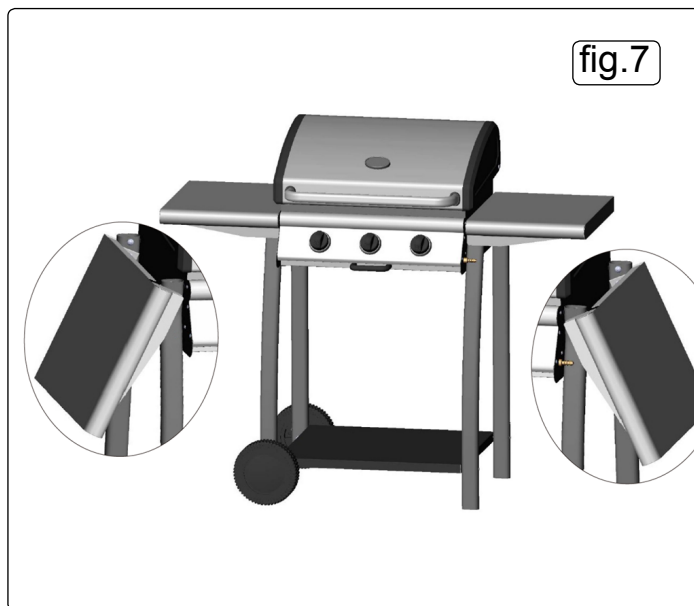
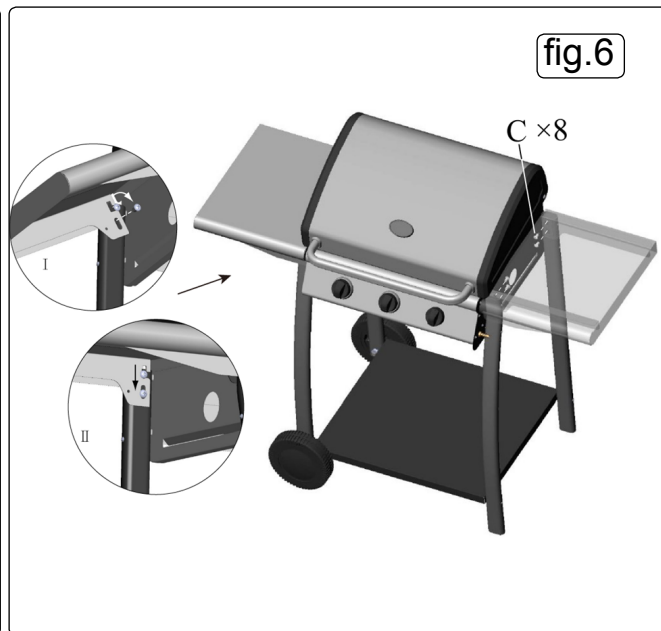
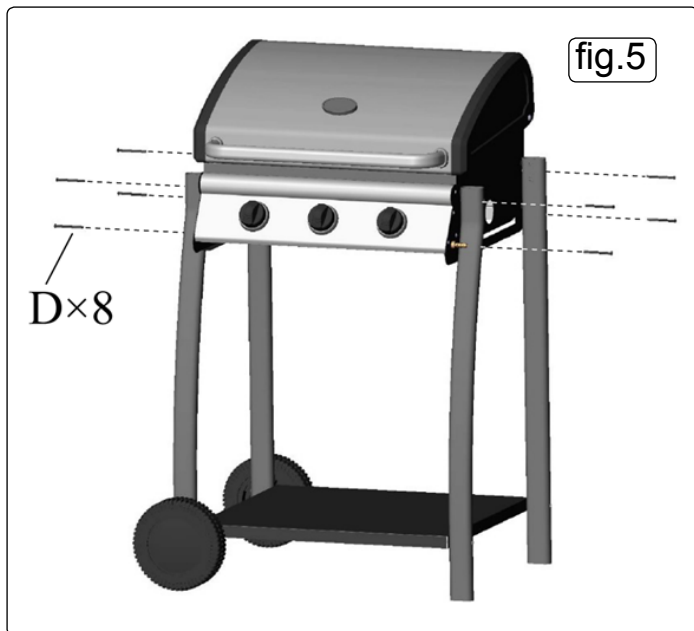
Refer to the attached Parts Diagram and List.

Assemble all nuts and bolts loosely at first. Tighten all connections after completion of assembly. This makes the barbecue more stable.

When starting to assemble, take all single parts out of the box and check if anything is missing according to the parts list.

You will need an adjustable spanner, pliers and a crosshead screwdriver for assembly.

- 3.1 Refer to Fig.3
Screw right leg A (11), right leg B (12), left leg A (14) and left leg B (15) to bottom shelf (16) using screws D and nuts G.
- 3.2 Refer to Fig.4
Fit wheels (18) to bottom of left leg A (14) and left leg B (15) using wheel pins (A), washer (I) and pin lock (B). Push wheel caps (17) onto centre of wheels.
- 3.3 Refer to Fig.5
Fit barbecue module by screwing through the four legs into the module using screws (D).
- 3.4 Refer to Fig.6
Fit left side table (6) and right side table (8). Screw through bottom hole for the tables to hinge up and fix them over the top screws to retain them in the horizontal position.



4. OPERATION

To operate this barbecue you will need to purchase a LPG bottle.

4.1. INSTALLATION

- 4.1.1. Position your gas bottle at the side of your barbecue, not underneath, remember the bottle must be kept away from heat, and be in a safe position.
- 4.1.2. Attach the regulator to the gas bottle.
- 4.1.3. Perform the Gas Leak Test as described in Gas Safety Precautions (see Section 1.2).
- 4.1.4. Check the hose before each and every use, looking for cracks, cuts or any abrasions.
- 4.1.5. If the hose is found to be faulty in any way, do not attempt to use your barbecue, replace the hose with one from your Sealey dealer.
- 4.1.6. Ensure the hose is free from any kinks or bends which will affect the gas flow, when using your barbecue. Also the hose must not have undue tension and must not touch any part of the barbecue which may be hot.
- 4.1.7. When changing your gas bottle ensure there are no sources of ignition nearby and make sure the barbecue is switched off.
- 4.1.8. The barbecue must be kept away from flammable materials.

4.2. LIGHTING INSTRUCTIONS

WARNING! The gas supply must be turned off at the LP gas bottle when the barbecue is not in use.

WARNING! The lid must be open when lighting the burner.

- 4.2.1. Turn the control knob clockwise to the OFF position.
- 4.2.2. Open the gas valve, regulator and barbecue lid.
- 4.2.3. Push and turn the control knob anticlockwise to the LIGHT position, it will generate a spark and light the burner. Try several times if the burner does not light on the first occasion.
- 4.2.4. If the burner does not light, turn the control knob to the OFF position and wait five minutes, then repeat step 4.2.3. If the igniter does not work, use a long match to light up the burner through the lighting hole in the side of the appliance.
- 4.2.5. To adjust the flame, turn the control knob to low or high position.
- 4.2.6. Turn the control knob to the OFF position to shut down the burner.

5. MAINTENANCE

5.1. CLEANING INSTRUCTIONS

- 5.1.1. To clean the barbecue, turn the burner on for 5 to 10 minutes. Grease will be burned off from the grill as well as the Flame Tamer Plate.
- 5.1.2. Ensure the barbecue is cold before continuing. The grills should be cleaned periodically by soaking and washing in soapy water. Use a wire brush, steel wool or a scouring pad to remove stubborn spots.
- 5.1.3. The interior surfaces of the grill housing cover should be washed with hot soapy water.
- 5.1.4. Regularly clean the oil cup.
- 5.1.5. Periodically check the burner to see that it is free from insects and spiders which may block the gas system.
- 5.1.6. Clean the venturi tube on the burner very carefully, checking to see that it is free of obstructions. We recommend the use of a pipe cleaner to clean the venturi tube area.
- 5.1.7. Any modifications of this appliance may be dangerous and is not permitted. Do not alter parts sealed by the manufacturer.

5.2. STORAGE

- 5.2.1. The gas bottle must be stored outdoors in a well ventilated area and must be disconnected from your barbecue when not being used.
- 5.2.2. Ensure that you are outside and well away from any sources of ignition before disconnecting your bottle.
- 5.2.3. When using your barbecue after a period of storage, check for gas leaks and for any obstructions in the burner before using. Also follow the cleaning instructions to ensure the barbecue is safe. Check that areas under the front panel are free from any obstruction, (insects etc.). This area must be kept clean, as it may affect the flow of combustion or air.
- 5.2.4. Let down the side tables (see fig.7) and use a barbecue cover to protect this item when not in use. Ensure it is cool before the cover is used. Covers must be removed periodically to minimise moisture build up.

6. TROUBLESHOOTING

Problem	Possible Cause	Solution
Burners will not light using the ignition system.	LP gas cylinder is empty.	Replace with full cylinder.
	Faulty regulator.	Have regulator checked or replace.
	Obstructions in burner.	Clean burner.
	Obstructions in gas jets or gas hose.	Clean jets and gas hose.
	Wire is loose or disconnected on electrode or ignition unit.	Reconnect wire.
	Electrode or wire is damaged or faulty push button igniter.	Change electrode or wire or change igniter.
	The distance between the burner and the electrode pin is too large or too small.	Check and ensure the distance between the burner and the electrode pin is 2-4mm.
Burner will not light with a match.	LP gas cylinder is empty.	Replace with full cylinder.
	Faulty regulator.	Have regulator checked or replace.
	Obstructions in burner.	Clean burner.
	Obstructions in gas jets or gas hose.	Clean jets and gas hose.
Low flame or flashback (fire in burner tube, a hissing or roaring noise may be heard).	LP gas cylinder is too small.	Use larger cylinder.
	Obstructions in burner.	Clean burner.
	Obstructions in gas jets or gas hose.	Clean jets and gas hose.
	Windy conditions.	Use barbecue in a more sheltered position.



Environmental Protection.

Recycle unwanted materials instead of disposing of them as waste. All tools, accessories and packaging should be sorted, taken to a recycle centre and disposed of in a manner which is compatible with the environment.

Parts support is available for this product. To obtain a parts listing and/or diagram, please log on to www.sealey.co.uk, email sales@sealey.co.uk or telephone 01284 757500.

NOTE: It is our policy to continually improve products and as such we reserve the right to alter data, specifications and component parts without prior notice.

IMPORTANT: No liability is accepted for incorrect use of this product.

WARRANTY: Guarantee is 12 months from purchase date, proof of which will be required for any claim.

INFORMATION: For a copy of our latest catalogue and promotions call us on 01284 757525 and leave your full name and address, including postcode.



SEALEY

**Garden
& LEISURE**

Sole UK Distributor, Sealey Group,
Kempson Way, Suffolk Business Park,
Bury St. Edmunds, Suffolk,
IP32 7AR



01284 757500



www.sealey.co.uk



01284 703534



sales@sealey.co.uk