



INSTRUCTIONS FOR: GAS BBQ PORTABLE MODEL No: **BBQ04**

Thank you for purchasing a Sealey product. Manufactured to a high standard this product will, if used according to these instructions and properly maintained, give you years of trouble free performance.



IMPORTANT: PLEASE READ THESE INSTRUCTIONS CAREFULLY. NOTE THE SAFE OPERATIONAL REQUIREMENTS, WARNINGS & CAUTIONS. USE THE PRODUCT CORRECTLY AND WITH CARE FOR THE PURPOSE FOR WHICH IT IS INTENDED. FAILURE TO DO SO MAY CAUSE DAMAGE AND/OR PERSONAL INJURY AND WILL INVALIDATE THE WARRANTY. PLEASE KEEP INSTRUCTIONS SAFE FOR FUTURE USE.

1. SAFETY INSTRUCTIONS

1.1. GENERAL SAFETY

- WARNING!** The warnings, cautions and instructions in this manual cannot cover all possible conditions and situations that may occur. It must be understood by the operator that common sense and caution are factors which cannot be built into this product, but must be applied by the operator.
- WARNING!** Hazardous fire or explosion may result if instructions are ignored.
- WARNING!** Never use a flame to do the leak test and ensure no naked flames are nearby when doing the leakage test.
- WARNING!** Accessable parts may be very hot. Keep young children and pets away.
- WARNING!** If you smell gas: turn off the gas supply at the bottle, extinguish all naked flames, do not operate any electrical appliances, check for leaks as detailed in this manual. If odour persists, contact your Sealey dealer.
- WARNING!** Any modification to this appliance may be dangerous and is absolutely not permitted.
- Read the instructions carefully before assembly and retain this manual for future reference.
- Use outdoors only, stand on a level surface, remember hot fat may drip out of the drip tray
- Handle the hot barbecue with the help of oven gloves.
- Leak test all connections after each tank refill.
- The barbecue should be cleaned on a regular basis. Take care not to enlarge burner ports or orifice openings when cleaning the burner or valves.
- Always do the gas leak check before you use the barbecue. Test the leakage on all the connections where gas passes by.
- Connect the regulator and hose onto the gas tank and the burner, close all the valves by turning the control knobs to the "OFF" (fully clockwise) position.
- Put soapy water on all the connections where the gas reaches. Open the gas tank valve and regulator. If bubbles are seen, tighten the connection if bubbles are still seen, close all valves, turn off the regulator and contact your Sealey dealer for help. Never use the barbecue with a leak.
- The gas leak check must be done when first connecting the barbecue and every time the gas bottle is changed.
- The gas bottle can only be changed by a competent person.
- The lid must always be open when lighting the burner.
- Use oven gloves and sturdy long handled barbecue tools when cooking on the grill.
- Be prepared if an accident or fire should occur. Know where your first aid kit and fire extinguishers are and how to use them correctly.
- Keep any electrical supply cord and the fuel supply hose away from any heated surfaces.
- Ensure the appliance has completely cooled before storing.
- DO NOT** store petrol or other flammable vapours or liquids in the vicinity of this or any other appliance.
- Any gas cylinder not connected for use should not be stored in the vicinity of this or any other appliance.
- This gas barbecue is designed for outside use only.
- DO NOT** move the barbecue whilst it is in operation.
- DO NOT** operate if there is a gas leak.
- DO NOT** attempt to disconnect any gas fitting if your barbecue is being used, including the gas hose and regulator.
- DO NOT** leave unattended from being lit to fully cooled.
- DO NOT** use this barbecue in a garage or any enclosed area. Keep the surrounding area clear, at least 1.0m from any combustible materials and 0.5m from a brick wall.
- DO NOT** attempt any unauthorised interference of the main controls on this barbecue, i.e. gas taps, injectors, valve etc.
- DO NOT** attempt to use charcoal in this barbecue, do use the flame tamer plate. (fits immediately above burner)
- DO NOT** position on a surface that may be damaged by hot fat or heat.

1.2. BARBECUE/TROLLEY STAND SAFETY

- 1.2.1 Be aware of finger traps when assembling as the frame is not self supporting until the barbecue module is fitted, section 4 and 6.
- 1.2.2 Read carefully section 6, fitting, removing, transporting and storing with barbecue module.
- 1.2.3 Ensure catch "Q" is engaged with local bracket when fitting barbecue module as described in 6.1.3.
- 1.2.4 Wear suitable gloves when handling light gauge sheet metal barbecue module.

NOTE: This appliance is not intended for use by persons (including children) with reduced physical, sensory or mental capabilities or lack of experience and knowledge, unless they have been given supervision or instruction concerning the use of the appliance by a person responsible for their safety. Children should be supervised to ensure that they do not play with the appliance.

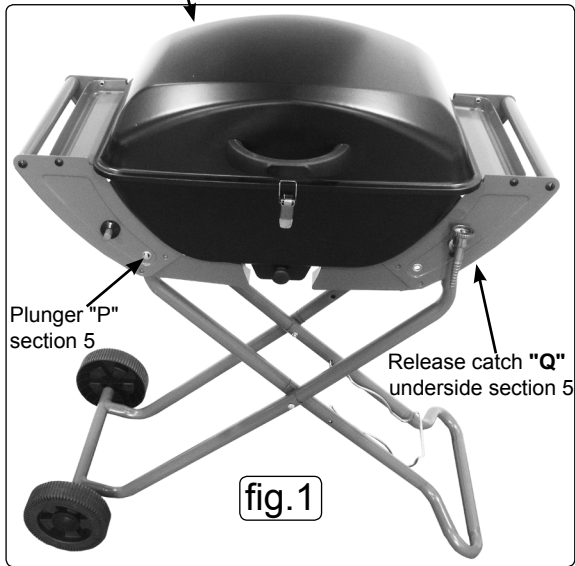
2. INTRODUCTION & SPECIFICATION

Portable gas barbecue with fitted fold out side tables. Features piezoelectric ignition, variable heat control, large single burner and chrome grill. Wheeled stand folds into transport trolley, ideal for picnics, camping, and home use. Grill unit detaches from stand and folding legs enable its use as a table top barbecue. Supplied with propane gas clip-on regulator. Butane regulator not supplied.

MODEL:	BBQ04
Dimensions Standing and Open (WxDxH):.....	1040 x 450 x 930mm
Cooking Area:.....	420 x 340mm
Gas Types	Propane, Butane
Heat Output	3.9kw

3. MODES OF OPERATION

Lid closed with shelves folded, grill and flame tamer plate inside



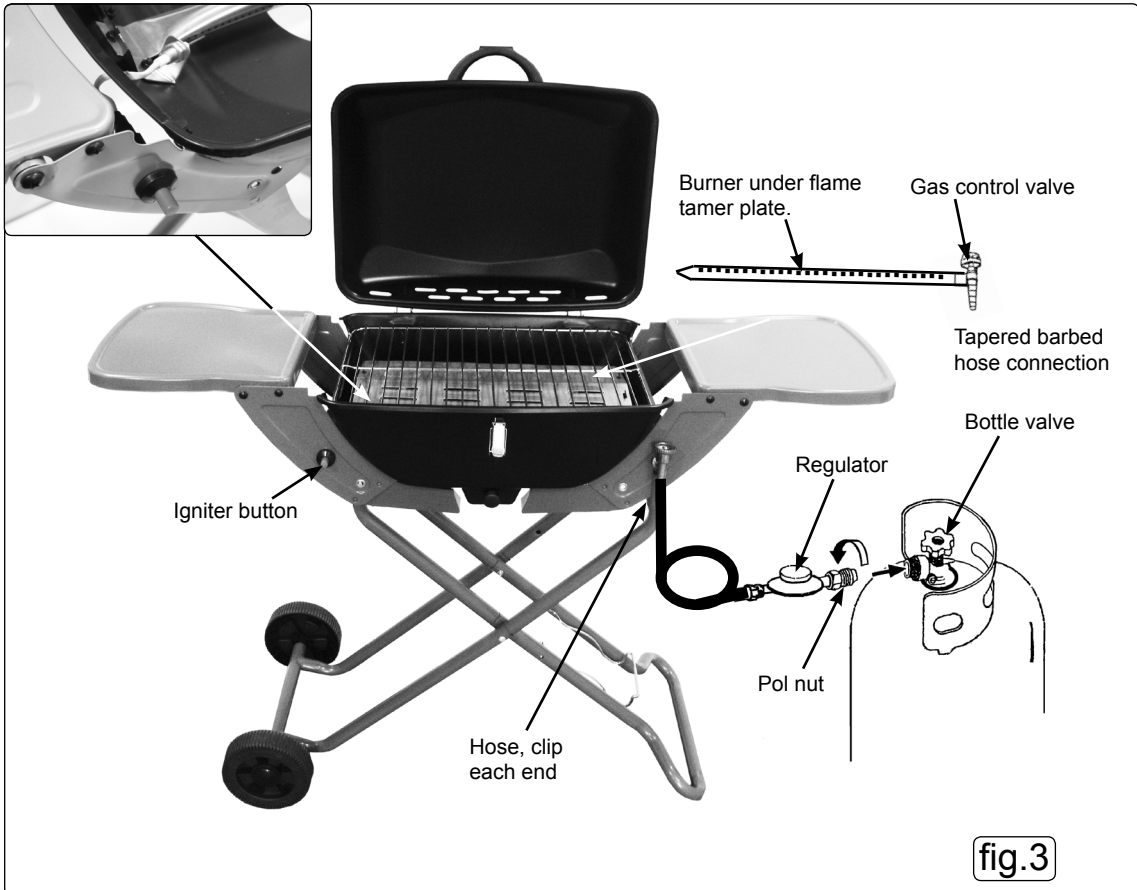
Preparing for transport and storage



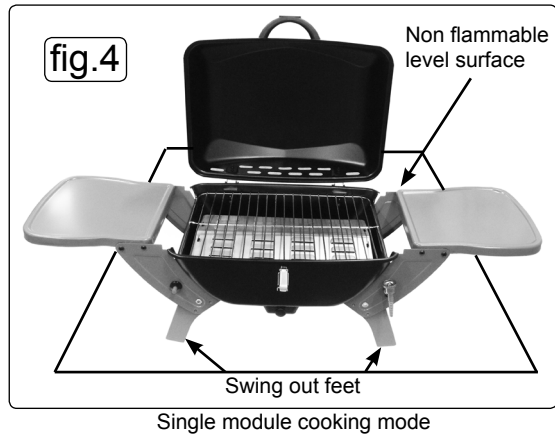
fig.2

Transport and storage mode

Piezoelectric ignition
(tamer plate removed)

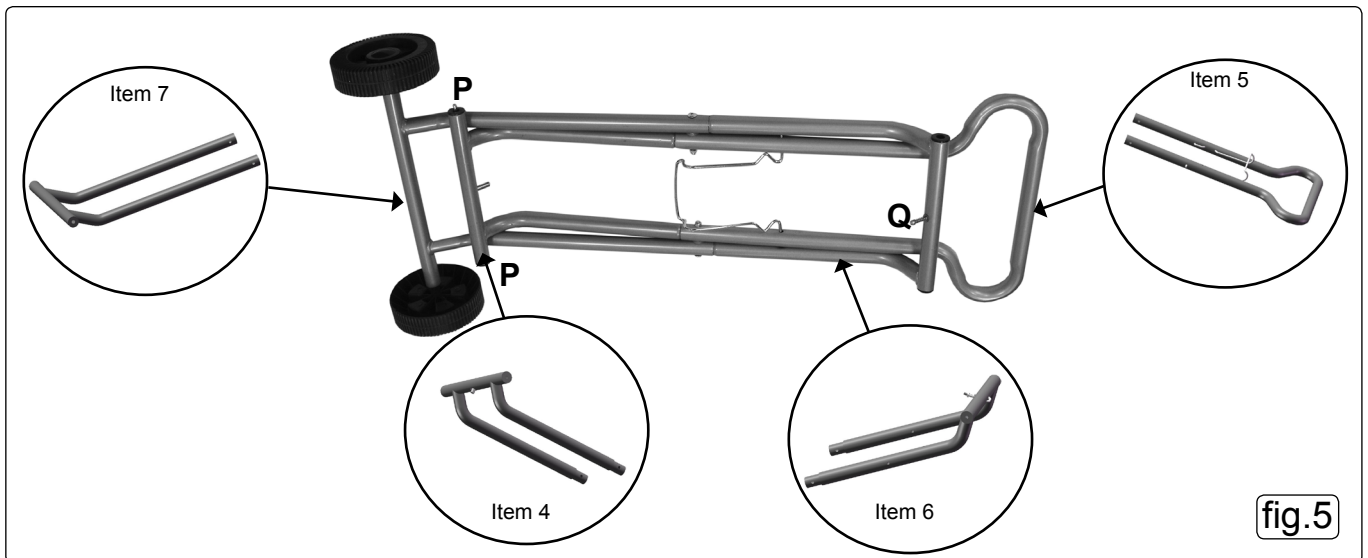


Gas connections and cooking mode

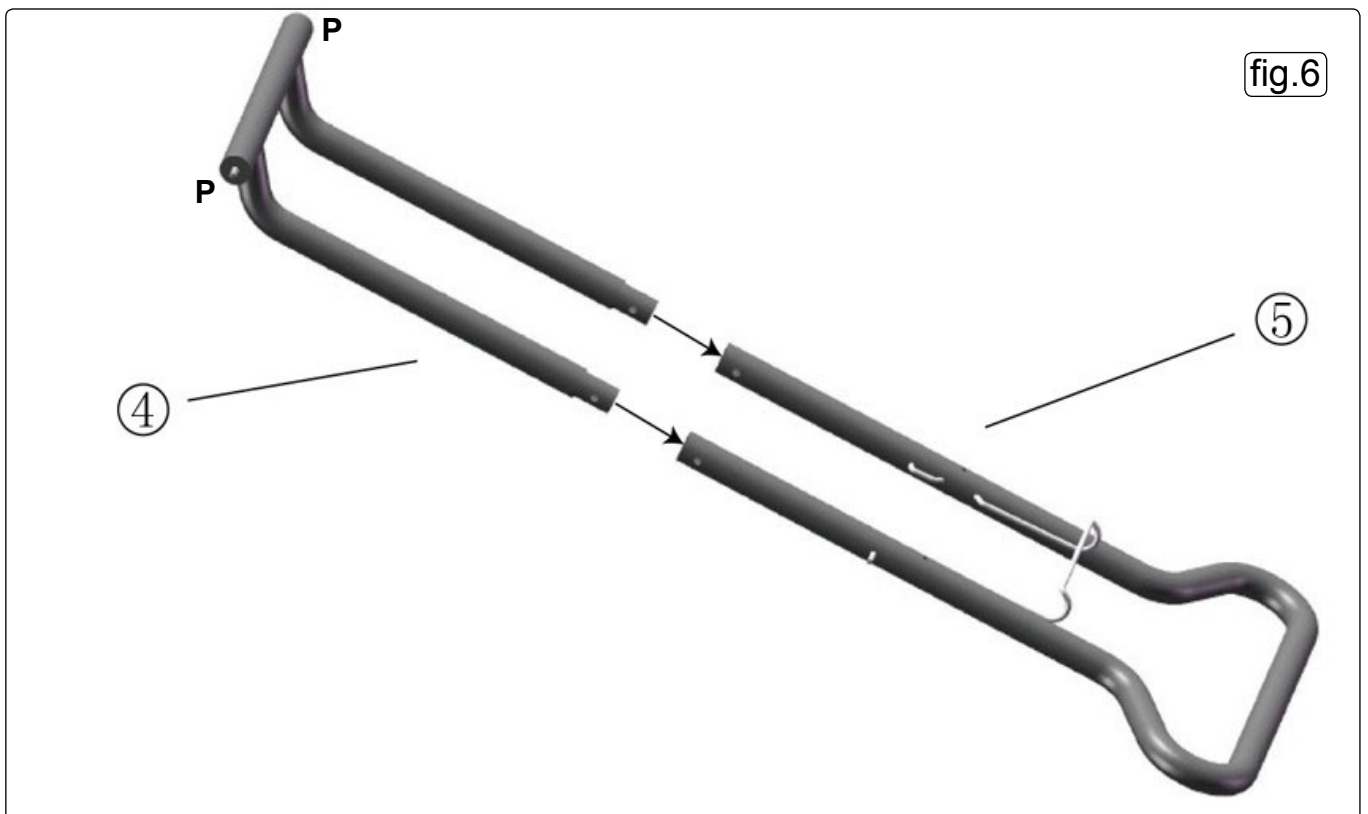


4. ASSEMBLY OF TROLLEY FRAME

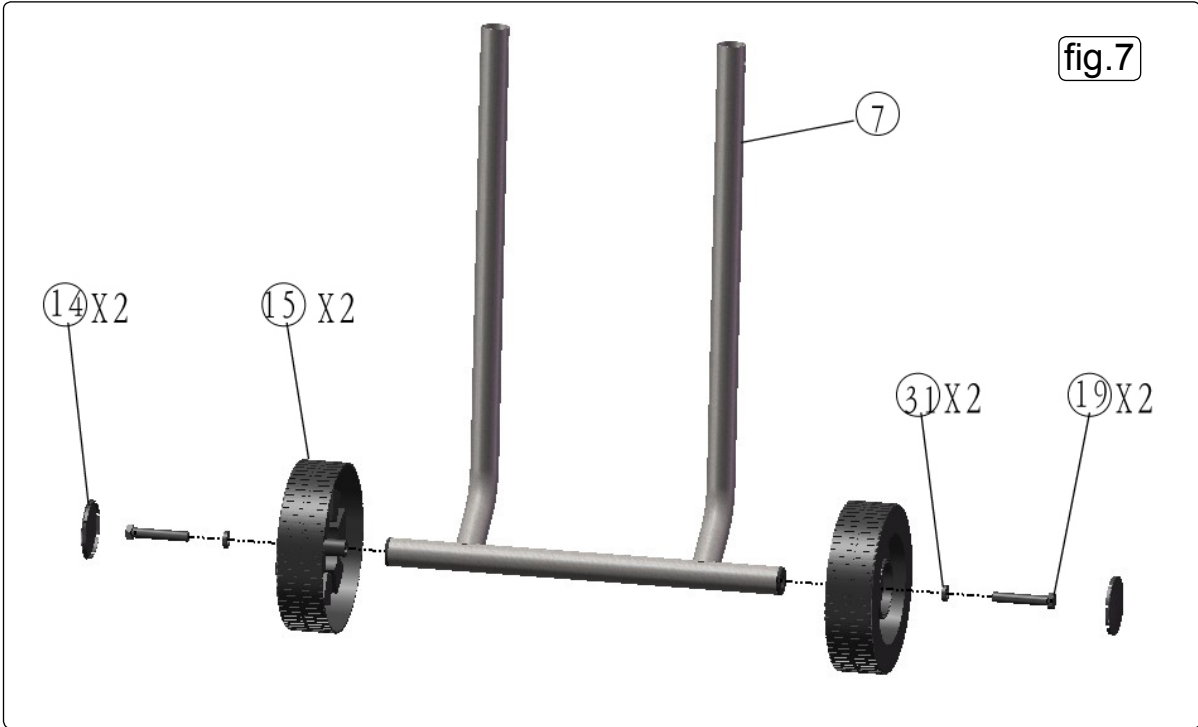
4.1 When starting to assemble, take all single parts out of the box and check if anything is missing according to the parts list in section 5.6. In the unlikely event of missing or damaged parts contact your Sealey Dealer immediately. Assemble all nuts and bolts loosely at first. Tighten all connections after completion of frame alignment. This makes the barbecue trolley frame more stable. Tools required for assembly of the trolley and barbecue include:- screwdrivers, pliers and spanners (6mm, 8mm, 10mm A/F)



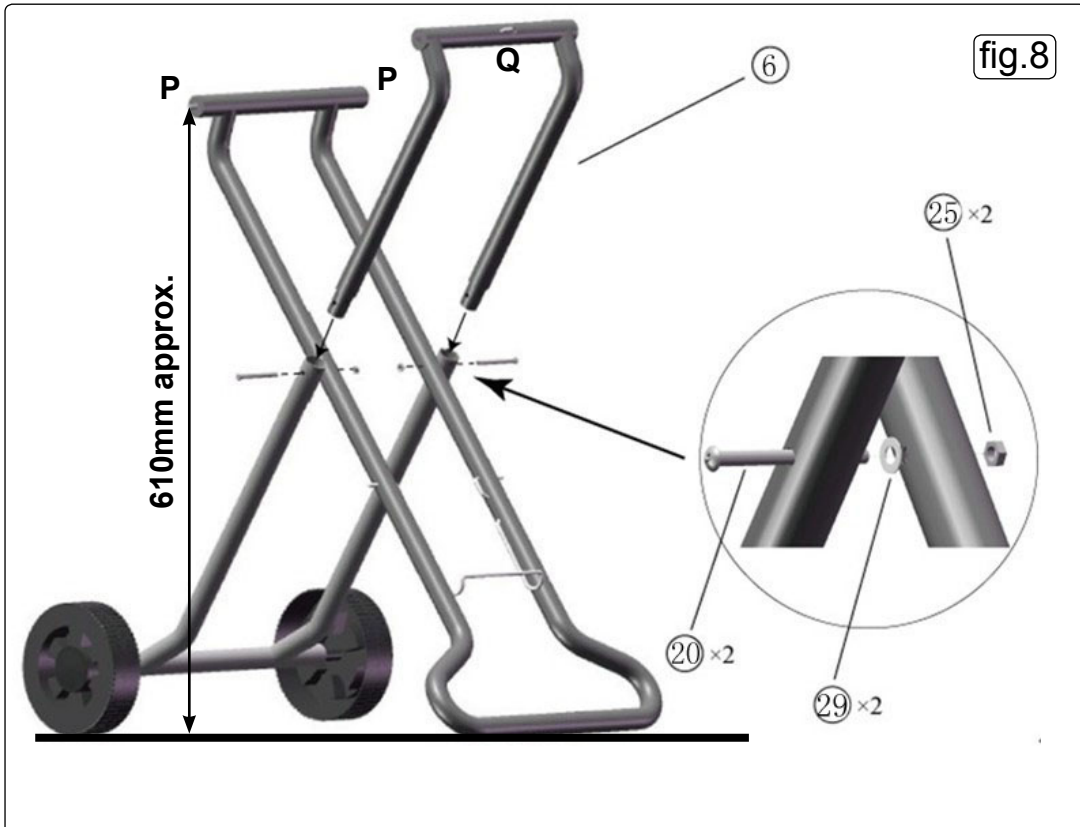
4.2 Connect upper frame item 4 to lower frame item 5. **DO NOT** fix with screws at this stage.



4.3 Fit wheels to lower frame item 7.

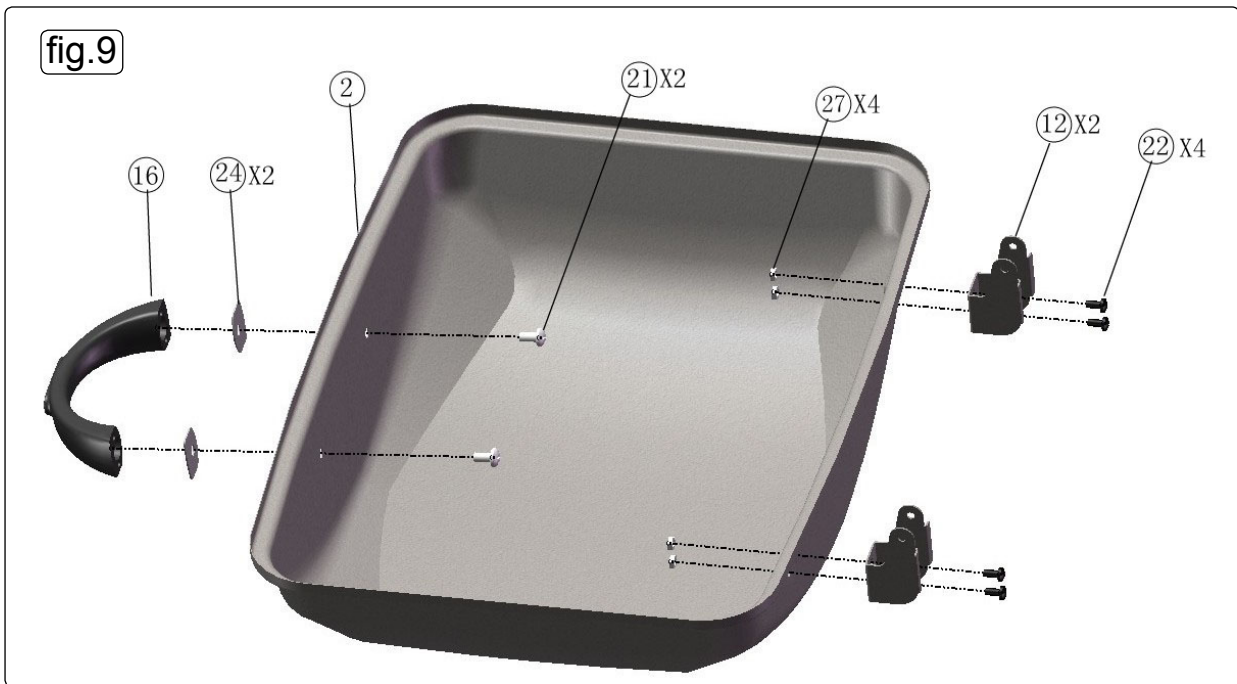


4.4 Connect upper frame item 6 to lower frame item 7. Screw fix at this stage to complete "scissor" collapsible frame. The 710mm dimension is for reference only. See section 5.2 for barbecue module fitting.

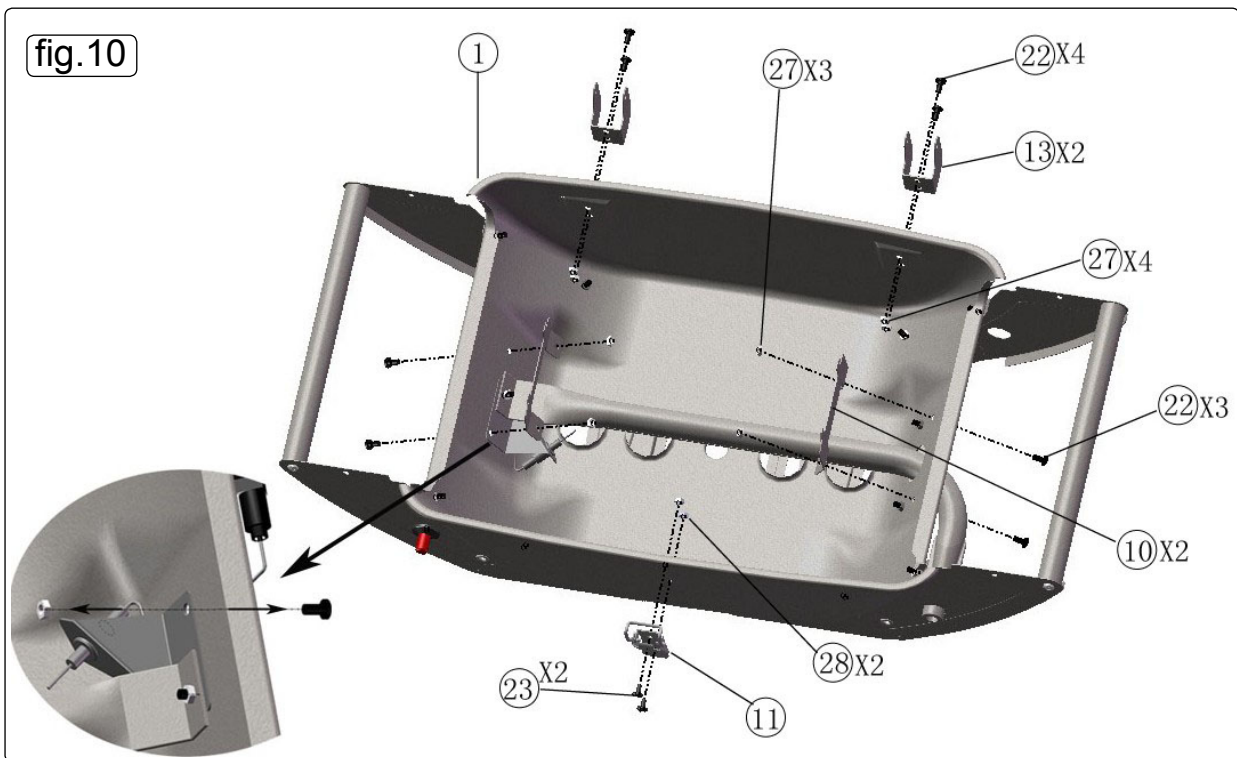


5. ASSEMBLY OF BARBECUE

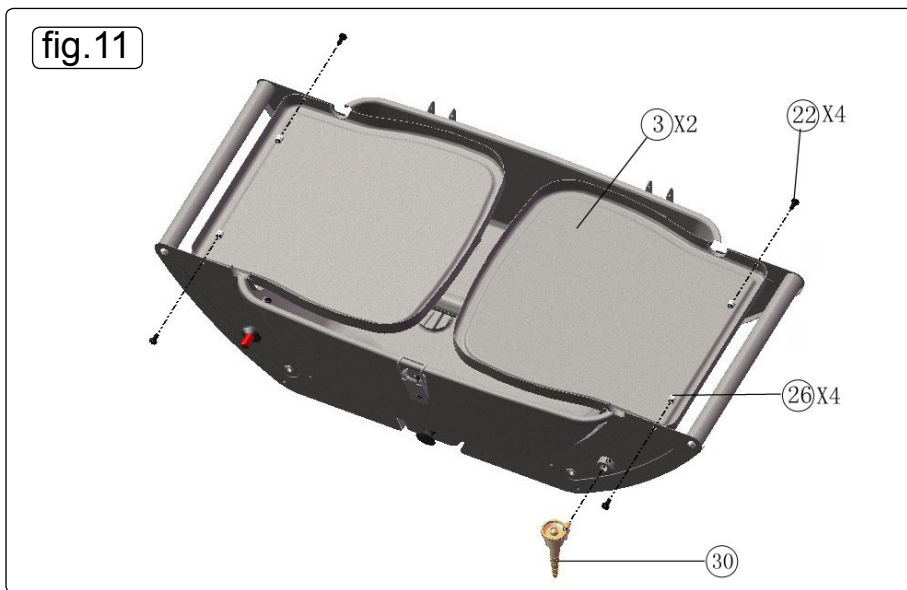
5.1 Connect hinges item 12 loosely for final assembly and alignment with body item 1. Fit handle and fully tighten fixings.



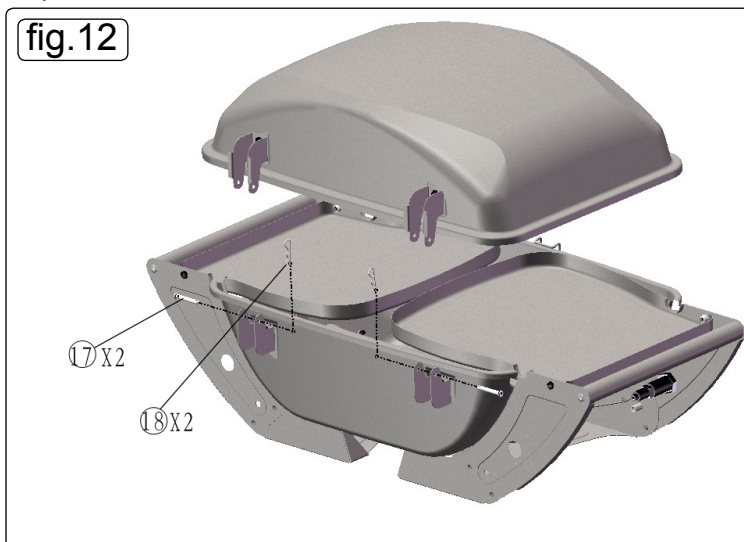
5.2 Connect hinges item 13 and toggle clip item 11 loosely for final assembly and alignment with lid item 2.



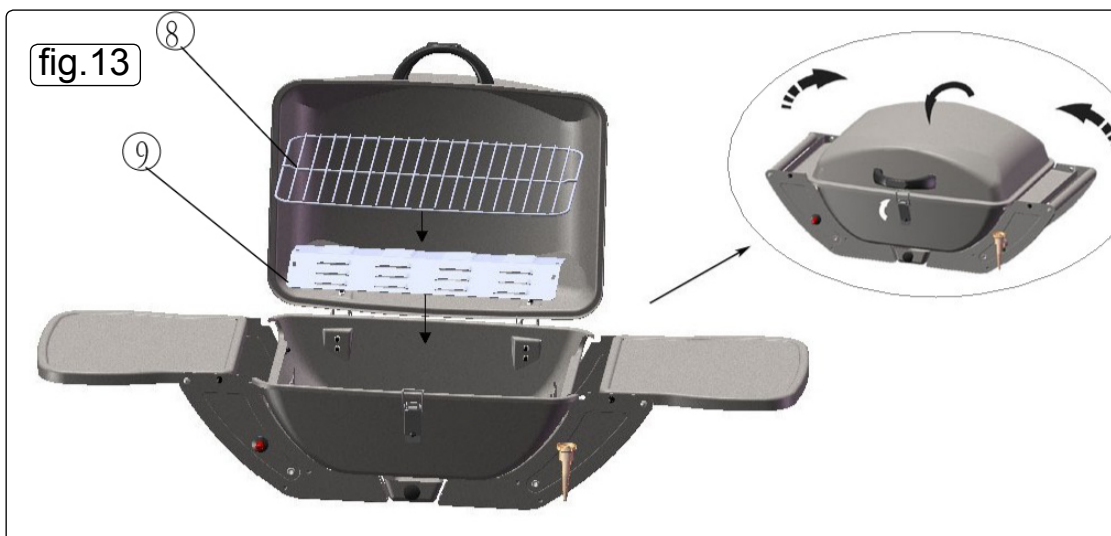
5.3 Connect the side shelves item 3 with enough torque to provide a small resistance through the 180° sweep angle.



5.4 Offer the lid on to the body and insert hinge pins item 17. Retain hinge pins with clips item 18. Tighten all fixings ensuring nesting of the lid on main body.



5.5 Place flame tamer plate item 9 over tabs on internal brackets and lay the grill item 8 on main body ledges. Fold shelves inboard, close the lid and toggle clip to secure. The barbecue module is ready for 'stand alone' or trolley mounting.



5.6 Parts list.

Item No	Description	Qty
1	Barbecue body	1
2	Barbecue lid	1
3	Side shelf	2
4	Upper frame ("P"- "P")	1
5	Lower frame (feet)	1
6	Upper frame ("Q")	1
7	Lower frame (wheeled)	1
8	Grill	1
9	Flame tamer	1
10	Flame tamer support brkt	2
11	Toggle clip	1
12	Lid hinge	2
13	Barbecue hinge	2
14	Hub cap	2
15	Wheel	2
16	Handle	1

Item No	Description	Qty
17	Lid hinge pin	2
18	Hinge pin clip	2
19	M8 bolt	2
20	M6 X 60 round head screw	2
21	M6 X 12 screw	2
22	M5 X 10 screw	15
23	M3 X 10 screw	2
24	Washer	2
25	M6 Stiff nut	2
26	M5 Stiff nut	4
27	M5 nut	11
28	M3 nut	2
29	Nylon washer	2
30	Gas valve	1
31	Wheel plastic washer	2
32	Regulator and hose details	1

6. FITTING/REMOVAL BBQ MODULE

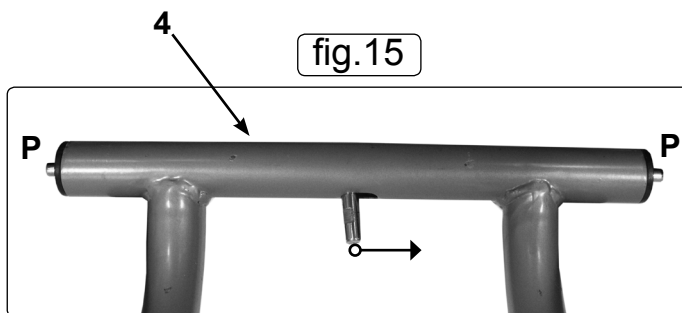
6.1 Fitting barbecue module to trolley frame

- 6.1.1. Fitting of the barbecue module to the trolley frame is best done with two people. If fitted by one person it will be necessary to chock the wheels and frame feet to avoid accidental collapse during fitting.
- 6.1.2. With the trolley frame in its fullest upright position (see 610mm dimension in fig.8) and the frame suitably supported, the barbecue module (fig.14) can be offered on to the trolley frame (fig.8).
- 6.1.3. Rest slightly inclined barbecue, "P" up "Q" down, on to frame item 6 in (fig.8) and pull the spring loaded catch in position "Q" (fig. 14 and fig.16) through the slot and **twist to register on local bracket**.
- 6.1.4. Lower the barbecue elevated end "P" toward the frame item 4 (fig.10). Slide the operating pin of spring loaded plunger to end of slot against the force of the spring. Locate the extended plunger into the associated barbecue hole position "P". Align frame with opposite hole position "P" and release spring loaded plunger to self centre as in the illustration (fig.15).

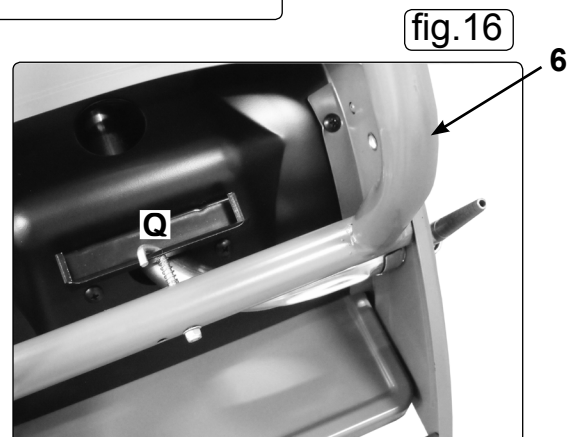
WARNING! The barbecue is manufactured from light gauge mild steel, wear suitable hand protection when fitting.

Note! Fitting method is suggested only, the user may prefer to fit the spring loaded plunger pin first "P" and finally the catch "Q".

Fit handle (16) to lid (21) with two self tapping screws.



Slide the operating pin of spring loaded plunger to end of slot against the force of the spring. Locate the extended plunger into the associated barbecue hole position "P". Align frame with opposite hole position "P" and release spring loaded plunger to self centre as in the illustration.



Ensure the sprung loaded catch is rotated and engaged as shown in position "Q".

6.2 Removing the barbecue module from the trolley frame.

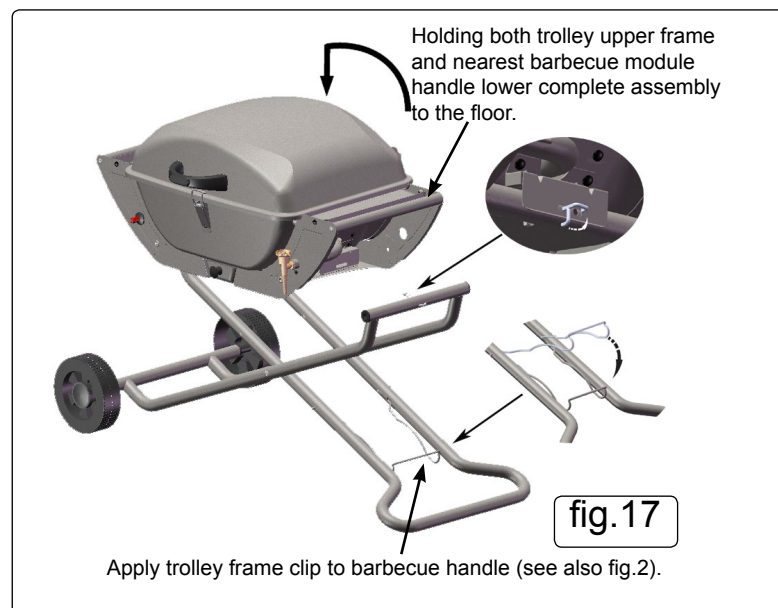
- 6.2.1. Removal of the barbecue module from the trolley frame is best done with two people. If removed by one person it will be necessary to chock the wheels and frame feet to avoid accidental collapse during removal.
- 6.2.2. With the trolley frame in its fullest upright position and suitably supported, the barbecue module (fig.14) can be removed.
- 6.2.3. Twist catch in position "Q" in (fig.16) to align with the slot. Unless supported the trolley frame could now collapse without warning.
- 6.2.4. Slide the operating pin (fig.15) of spring loaded plunger to end of slot against the force of the spring. Ease the module from the trolley frame at the retracted pin side and release spring loaded plunger. Continue to ease the module from the frame until the opposite pin is clear.

WARNING! The barbecue is manufactured from light gauge mild steel, wear suitable hand protection when removing.

Note! Removal method is suggested only, the user may prefer to operate the spring loaded plunger pin first "P" and finally the catch "Q".

6.3 Preparing to store or transport barbecue and trolley stand complete (fig.1 and fig.2).

- 6.3.1. Twist catch in position "Q" in (fig.16) to align with the slot. Unless supported the trolley frame could now collapse without warning.
- 6.3.2. Holding both trolley upper frame and nearest barbecue module handle lower complete assembly to the floor (fig.17).
- 6.3.3. Apply trolley frame clip (fig.17) to barbecue handle and raise the newly formed arrangement for transportation and storage (fig.2).



7. OPERATION

To operate this barbecue you will need to purchase a gas bottle (fig.3).

7.1 INSTALLATION

- 7.1.1. The barbecue module is supplied assembled complete with only the lid handle requiring the customer to fit with two cross head screws items 16 and 21.
- 7.1.2. The gas flame tamer plate is tie wrapped for transporting, these tie wraps must be removed.
- 7.1.3. Position your gas bottle at the side of your barbecue, not underneath, remember the bottle must be kept away from heat, and be in a safe position.
- 7.1.4. Attach the regulator to the gas bottle (fig.3).
- 7.1.5. Perform the Gas Leak Test as described in Safety Precautions Section 1.
- 7.1.6. Check the hose before each and every use, looking for cracks, cuts or any abrasions.
- 7.1.7. If the hose is found to be faulty in any way, do not attempt to use your barbecue, replace the hose with one from your Sealey dealer.
- 7.1.8. Ensure the hose is free from any kinks or bends which will affect the gas flow, when using your barbecue. Also the hose must not have undue tension and must not touch any part of the barbecue which may be hot.
- 7.1.9. When changing your gas bottle ensure there are no sources of ignition nearby and make sure the barbecue is switched off.
- 7.1.10. The barbecue must be kept away from flammable materials.

7.2 LIGHTING INSTRUCTIONS

- WARNING! The gas supply must be turned off at the gas bottle when the barbecue is not in use.**
- WARNING! The lid must be open when lighting the burner.**

- 7.2.1. Open the gas bottle valve fully [ACW] (fig.3).
- 7.2.2. Open the barbecue lid, then open the gas control valve fully [ACW] (fig.3).
- 7.2.3. Press the igniter once, it will generate a spark and light the burner. Try several times if the burner does not light on the first occasion.
- 7.2.4. If the burner does not light, turn the gas control valve to the OFF [fully clockwise] position and wait five minutes, then repeat steps 7.2.2. to 7.2.3.
- 7.2.5. To adjust the flame, turn the control knob to low [CW] or high position [ACW].
- 7.2.6. Turn the control knob to the OFF position [fully clockwise] to shut down the burner.

8. MAINTENANCE

8.1 CLEANING INSTRUCTIONS

- 8.1.1. To clean the barbecue, turn the burner on for 5 to 10 minutes. Grease will be burned off from the grill as well as the Flame Tamer Plate.
- 8.1.2. Ensure the barbecue is cold before continuing. The grill should be cleaned periodically by soaking and washing in soapy water. Use a wire brush, steel wool or a scouring pad to remove stubborn spots. Always rinse thoroughly with clean water.
- 8.1.3. The interior surfaces of the grill housing cover should be washed with hot soapy water.
- 8.1.4. Regularly clean the drip tray reservoir with hot soapy water. It is sited beneath the barbecue bowl and will be hot whilst barbecue is in use (fig. 18).
- 8.1.5. Periodically check the burner to see that it is free from insects and spiders which may block the gas system.
- 8.1.6. Clean the venturi tube (fig. 14) on the burner very carefully, checking to see that it is free of obstructions. We recommend the use of a pipe cleaner to clean the venturi tube area.
- 8.1.7. Any modifications of this appliance may be dangerous and is not permitted. Do not alter parts sealed by the manufacturer.

8.2 STORAGE

- 8.2.1. The gas bottle must be stored outdoors in a well ventilated area and must be disconnected from your barbecue when not being used.
- 8.2.2. Ensure that you are outside and well away from any sources of ignition before disconnecting your bottle.
- 8.2.3. When using your barbecue after a period of storage, check for gas leaks and for any obstructions in the burner before using. Also follow the cleaning instructions to ensure the barbecue is safe. Check that areas under the lid and flame tamer are free from any obstruction, (insects, ingress etc.). This area must be kept clean, as it may affect the flow of combustion or air.
- 8.2.4. We recommend you use a barbecue cover to protect this item when not in use. Ensure it is cool before the cover is used. Covers must be removed periodically to minimise moisture build up.

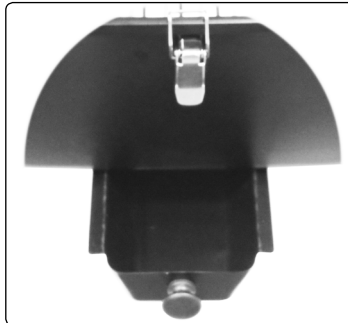


fig. 18

Slide out drip tray reservoir

9. TROUBLESHOOTING

Problem	Possible Cause	Solution
Burners will not light using the ignition system.	Gas cylinder is empty. Faulty regulator. Obstructions in burner. Obstructions in gas jets or gas hose. Wire is loose or disconnected on electrode or ignition unit. Electrode or wire is damaged or faulty push button igniter. The distance between the burner and the electrode pin is too large or too small.	Replace with full cylinder. Have regulator checked or replace. Clean burner. Clean jets and gas hose. Reconnect wire. Change electrode or wire or change igniter. Check and ensure the distance between the burner and the electrode pin is 2-4mm.
Low flame or flashback (fire in burner tube, a hissing or roaring noise may be heard).	Gas cylinder is too small. Obstructions in burner. Obstructions in gas jets or gas hose. Windy conditions.	Use larger cylinder. Clean burner. Clean jets and gas hose. Use barbecue in a more sheltered position.



Environmental Protection.

Recycle unwanted materials instead of disposing of them as waste. All tools, accessories and packaging should be sorted, taken to a recycle centre and disposed of in a manner which is compatible with the environment.

Parts support is available for this product. To obtain a parts listing and/or diagram, please log on to www.sealey.co.uk, email sales@sealey.co.uk or phone 01284 757500.

NOTE: It is our policy to continually improve products and as such we reserve the right to alter data, specifications and component parts without prior notice.

IMPORTANT: No liability is accepted for incorrect use of this product.

WARRANTY: Guarantee is 12 months from purchase date, proof of which will be required for any claim.

INFORMATION: For a copy of our latest catalogue and promotions call us on 01284 757525 and leave your full name and address, including postcode.



Sole UK Distributor, Sealey Group,
Kempson Way, Suffolk Business Park,
Bury St. Edmunds, Suffolk,
IP32 7AR



01284 757500



www.sealey.co.uk



01284 703534



sales@sealey.co.uk