



# BENCH MOUNTING BUFFER/POLISHER

## 150MM 370W/230V & 200MM 550W/230V

MODEL NO: **BB1502 & BB2002**

Thank you for purchasing a Sealey product. Manufactured to a high standard, this product will, if used according to these instructions, and properly maintained, give you years of trouble free performance.

**IMPORTANT:** PLEASE READ THESE INSTRUCTIONS CAREFULLY. NOTE THE SAFE OPERATIONAL REQUIREMENTS, WARNINGS & CAUTIONS. USE THE PRODUCT CORRECTLY AND WITH CARE FOR THE PURPOSE FOR WHICH IT IS INTENDED. FAILURE TO DO SO MAY CAUSE DAMAGE AND/OR PERSONAL INJURY AND WILL INVALIDATE THE WARRANTY. KEEP THESE INSTRUCTIONS SAFE FOR FUTURE USE.



Refer to instructions



Wear eye protection



Wear protective gloves



Wear a mask

## 1. SAFETY

### 1.1. Electrical Safety

- ☐ **WARNING!** It is the user's responsibility to check the following:  
Check all electrical equipment and appliances to ensure that they are safe before using. Inspect power supply leads, plugs and all electrical connections for wear and damage. Sealey recommend that an RCD (Residual Current Device) is used with all electrical products. You may obtain an RCD by contacting your local Sealey stockist.  
If the product is used in the course of business duties, it must be maintained in a safe condition and routinely PAT (Portable Appliance Test) tested.

**Electrical Safety Information:** it is important that the following information is read and understood.

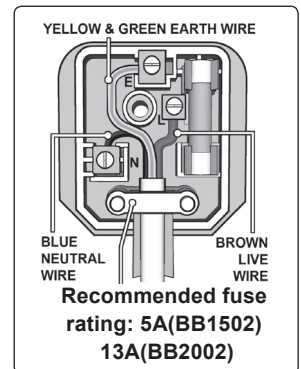
- 1.1.1. Ensure that the insulation on all cables and on the appliance is safe before connecting it to the power supply.
- 1.1.2. Regularly inspect power supply cables and plugs for wear or damage and check all connections to ensure that they are secure.
- 1.1.3. **IMPORTANT:** Ensure that the voltage rating on the appliance suits the power supply to be used and that the plug is fitted with the correct fuse - see fuse rating in these instructions.

- \* **DO NOT** pull or carry the appliance by the power cable.
- \* **DO NOT** pull the plug from the socket by the cable.
- \* **DO NOT** use worn or damaged cables, plugs or connectors. Ensure that any faulty item is repaired or replaced immediately by a qualified electrician.

- 1.1.4. This product is fitted with a BS1363/A 13 Amp 3 pin plug.  
If the cable or plug is damaged during use, switch the electricity supply and remove from use. Ensure that repairs are carried out by a qualified electrician.  
Replace a damaged plug with a BS1363/A 13 Amp 3 pin plug. If in doubt contact a qualified electrician.  
A) Connect the GREEN/YELLOW earth wire to the earth terminal 'E'.  
B) Connect the BROWN live wire to the live terminal 'L'.  
C) Connect the BLUE neutral wire to the neutral terminal 'N'.  
Ensure that the cable outer sheath extends inside the cable restraint and that the restraint is tight.  
Sealey recommend that repairs are carried out by a qualified electrician.

### 1.2. GENERAL SAFETY

- ✓ Disconnect the polisher from the mains power before changing accessories, servicing or performing any maintenance.
- ✓ Replace damaged parts. *Use genuine parts only. Unapproved parts may be dangerous and will invalidate the warranty.*
- ✓ Wear approved safety goggles, appropriate dust mask if polisher generates dust and safety gloves.
- ✓ Remove ill fitting clothing. Remove ties, watches, rings, and other loose jewellery, and contain long hair.
- ✓ Use the polisher in a suitable work area, keep area clean, tidy and free from unrelated materials, and ensure adequate lighting.
- ✓ Maintain correct balance and footing. **DO NOT** over-reach and ensure the floor is not slippery. Wear non slip shoes.
- ✓ Polishing wheels must be securely attached before use, but not over tightened.
- ✓ Keep non essential persons away from the working area, use screens if necessary.
- \* **DO NOT** operate the polisher if any parts are missing or if the polisher is damaged.
- \* **DO NOT** use the polisher for a task it was not designed to perform.
- \* **DO NOT** get the polisher wet or use in damp or wet locations.
- \* **DO NOT** switch the polisher on whilst the wheel is in contact with the workpiece.
- ✓ Avoid polishing dissimilar metals with the same buffing wheel; galvanic corrosion may occur.
- \* **DO NOT** touch the workpiece immediately after polishing as it may be very hot.
- \* **DO NOT** hold unsecured work in your bare hands, and **DO NOT** touch the buffing wheel whilst operating, or whilst plugged into the mains power.
- \* **DO NOT** leave the polisher running unattended.
- \* **DO NOT** operate the polisher when you are tired or under the influence of alcohol, drugs or intoxicating medication.
- ✓ When not in use, switch the polisher off and remove the plug from the power supply.



## 2. INTRODUCTION

Designed for quick and easy smoothing/polishing of metal and other materials. Efficient 550W motor provides sufficient power for most tasks while the cast iron base reduces vibration. Supplied with fine and coarse buffing/polishing wheels and fitted ASTA approved plug.

### 3. SPECIFICATION

Model No:	BB1502	BB2002
Motor Power:	370W	550W
Supply:	230V	230V
No Load Speed:	2850rpm	2850rpm
Spindle Size:	13mm	16mm
Buffing/Polishing Wheel:	Ø150x10xØ13mm	Ø200x14xØ16mm
Buffing Wheel - Fine:	BG150BW	BG200BW
Buffing Wheel - Coarse:	BG150BWC	BG200BWC
Nett Weight:	9kg	10kg

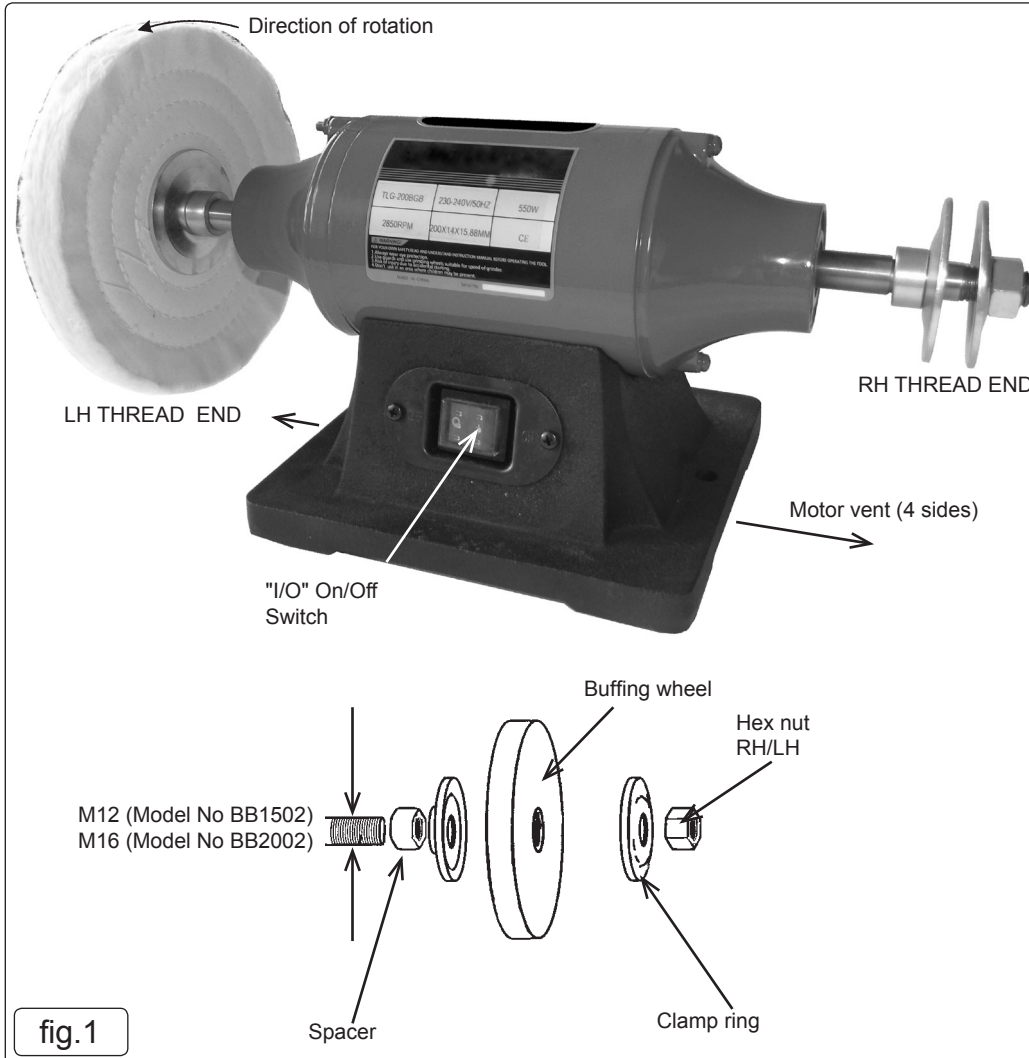


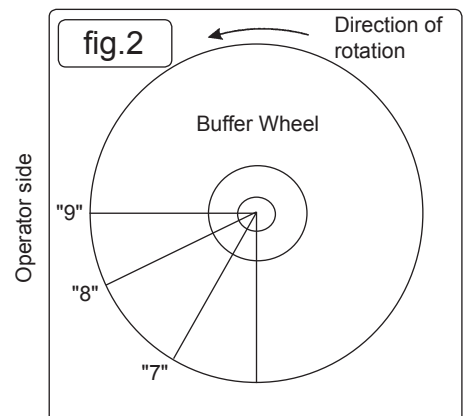
fig.1

### 4. INSTALLATION

- 4.1. Bolt the polisher securely to a workbench using the base securing holes as a template. Check that all assembly nuts and bolts are secure before powering. **DO NOT** block the 4 motor ventilation paths through the base.
- 4.2. **Wheel Fitting (fig.1)**
  - 4.2.1. Place the spacer over the axle shoulder.
  - 4.2.2. Sandwich the selected buffing wheel between the clamp rings and secure with the hexagon nut, hand tight. (The axle threaded ends are handed LH and RH).
  - 4.2.3. Tighten the nuts enough to grip without crushing the buffing wheel. Wheel rotation, in use, will tighten the hexagon nut.

### 5. OPERATION

- ❑ **WARNING! Before commencing work, ensure you have read, understood, and apply the chapter 1. Safety Instructions.**
- 5.1. Plug the polisher into the mains power supply.
- 5.2. Switch the polisher on and bring the workpiece slowly into contact with the wheel. The safest and best position for contact with the wheel is between "7-0-clock" and the "8-0-clock" positions in (fig.2). **DO NOT** contact the wheel outside the quadrant "6-0-clock" and "9-0-clock" positions.
- 5.3. When completed, unplug the polisher from the mains power supply, and clean the machine ready for next use.



BB1502 & BB2002 | Issue 3 (U) 29/10/18

## 6. MAINTENANCE

- ❑ **WARNING!** Ensure the grinder is unplugged from the mains power supply before performing any maintenance or service.
- 6.1. As the grinding wheels wear, adjust the positions of the tool rests. Each rest must be set not more than 2mm from the grinding surface.
- 6.2. Regularly remove the grinding wheel covers and clean out any dust and dirt.
- 6.3. The machine motor and bearings are sealed units and require no regular maintenance. Should you require assistance, contact your local service agent.



### ENVIRONMENT PROTECTION

Recycle unwanted materials instead of disposing of them as waste. All tools, accessories and packaging should be sorted, taken to a recycling centre and disposed of in a manner which is compatible with the environment. When the product becomes completely unserviceable and requires disposal, drain any fluids (if applicable) into approved containers and dispose of the product and fluids according to local regulations.



### WEEE REGULATIONS

Dispose of this product at the end of its working life in compliance with the EU Directive on Waste Electrical and Electronic Equipment (WEEE). When the product is no longer required, it must be disposed of in an environmentally protective way. Contact your local solid waste authority for recycling information.

**Note:** It is our policy to continually improve products and as such we reserve the right to alter data, specifications and component parts without prior notice.

**Important:** No Liability is accepted for incorrect use of this product.

**Warranty:** Guarantee is 12 months from purchase date, proof of which is required for any claim.

Sealey Group, Kempson Way, Suffolk Business Park, Bury St Edmunds, Suffolk. IP32 7AR



01284 757500



01284 703534



sales@sealey.co.uk



www.sealey.co.uk