

Thank you for purchasing a Sealey product. Manufactured to a high standard this product will, if used according to these instructions and properly maintained, give you years of trouble free performance.



IMPORTANT: PLEASE READ THESE INSTRUCTIONS CAREFULLY. NOTE THE SAFE OPERATIONAL REQUIREMENTS, WARNINGS & CAUTIONS. USE THE PRODUCT CORRECTLY AND WITH CARE FOR THE PURPOSE FOR WHICH IT IS INTENDED. FAILURE TO DO SO MAY CAUSE DAMAGE OR PERSONAL INJURY AND WILL INVALIDATE THE WARRANTY. PLEASE KEEP INSTRUCTIONS SAFE FOR FUTURE USE.

1. SAFETY INSTRUCTIONS

1.1 GENERAL SAFETY

- ▲ **DANGER! Take care when using and moving extended ladders in the vicinity of power cables - risk of potentially fatal electric shock.**
- **WARNING!** Ensure Health and Safety, local authority, and general workshop practice regulations are adhered to when using this equipment.
- ✓ Familiarise yourself with the application and limitations of the ladder, as well as the potential hazards.
- ✓ Maintain the equipment in good condition.
- ✓ Replace or repair damaged parts. Use genuine parts only. Unauthorised parts may be dangerous and will invalidate the warranty.
- ✓ Keep the work area clean, uncluttered and ensure there is adequate lighting.
- **WARNING!** Use ladder on level and solid ground and either have an assistant stand on the lowest rung or otherwise anchor the base of the ladder to prevent slipping.
- **WARNING! DO NOT** use the ladder, step ladder or scaffolding on sloping ground. When viewed from the front, the top of the ladder section(s) must always be directly above the base.
- ✓ Place ladder at an angle of 65° to 70° - foot of ladder 1 metre from wall for each 3 metres up - for stability.
- ✓ Where possible, lash top of ladder to a fixture to prevent slipping.
- **WARNING!** Never over-reach when on the ladder, step ladder or scaffolding.
- ✓ Keep children and unauthorised persons away from the working area.
- x **DO NOT** use the ladder, step ladder or scaffolding for any purpose other than that for which they are designed.
- x **DO NOT** use the equipment if any parts are damaged or missing as this may cause failure and/or personal injury.
- x **DO NOT** exceed the rated capacity of the ladder, step ladder or scaffolding.
- x **DO NOT** climb scaffolding to get onto platform. Always access the platform from a separate set of steps.
- x **DO NOT** allow children to climb the ladder, step ladder or scaffolding.
- x **DO NOT** use the equipment when you are tired or under the influence of alcohol, drugs or intoxicating medication.

2. INTRODUCTION & SPECIFICATION

2.1 Introduction

- 2.1.1 The four-way scaffold ladder comprises two six-rung aluminium ladders that can be used as a work platform, an extending ladder, single ladders, a step ladder or a stairway work platform. The unit comes with a security bar and a stabilising leg.

2.2 Specification

Maximum Load	150kg
Extension Ladder Maximum Height	2620mm
Closed Length	1720mm
Step Ladder Height	1600mm
Platform Length	1470mm
Maximum Platform Height	1000mm
External Stave Width	350mm
Maximum Width (Across Feet)	805mm

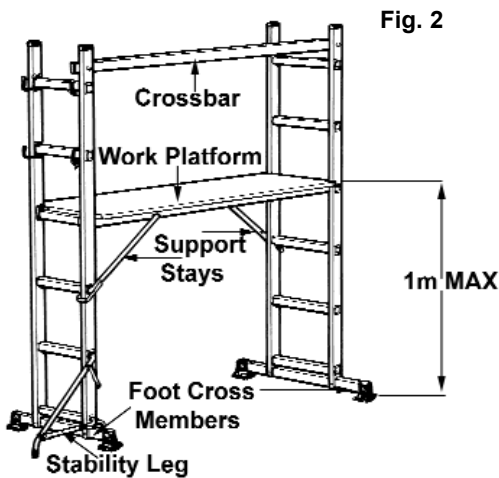


Fig. 2

Fig. 3

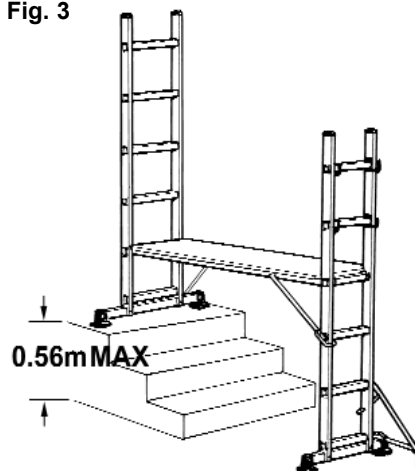


Fig 1

3. ASSEMBLY & USE

3.1 Work Platform

- **WARNING! Assembling the work platform is a two-man task.**
- 3.1.1 Bolt the foot cross members to the bottom of each ladder. The feet are already attached to the cross members. Refer to Fig. 2.
- 3.1.2 Attach the platform, at the desired height, to one ladder only.

Note: Ensure that the hole for the top crossbar is nearest to the outer face of the ladder.

- 3.1.3 Attach the support stay between the platform and the ladder by inserting it first into the platform and then attaching it to the ladder. Refer to Figs. 2 and 3.
- 3.1.4 Lift the platform assembly to the horizontal position and attach the second ladder, following the procedure outlined in paragraph 3.1.3.

Note: Ensure that the hole for the top crossbar is nearest to the outer face of the ladder.

- 3.1.5 Connect the stabilising leg as required. Refer to Figs. 2 and 4.

☐ **WARNING!** The platform height must not exceed 1 metre for reasons of stability.

Note: The maximum loading of the work platform when assembled is 150 kg.

3.2 Stairway Work Platform

☐ **WARNING!** Assembling the stairway work platform is a two-man task.

- 3.2.1 Bolt the foot cross members to the bottom of each ladder. The feet are already attached to the cross members. Refer to Fig. 2.
- 3.2.2 Attach the stairway work platform, at the desired height, to the ground-based ladder.
- 3.2.3 Attach the support stay between the stairway work platform and the ground-based ladder by inserting it first into the platform and then attaching it to the ladder. Refer to Figs. 2 and 3.
- 3.2.4 Lift the other end of the work platform to the horizontal position and attach it to the second ladder, located on the upper step of the stairway.
- 3.2.5 Attach the second support stay between the stairway ladder and the work platform. Refer to Fig. 3.
- 3.2.6 Fit the stabilising leg as required. Refer to Figs. 2 and 4.
- 3.2.7 The maximum height above ground of the steps on which the stairway ladder is to be located when assembled is 0.56 metres. Refer to Fig. 3.

▲ **DANGER!** Never attempt to climb scaffolding to get on to the work platform. Always access the platform from a separate set of steps.

Note: The maximum loading of the stairway work platform when assembled is 150 kg.

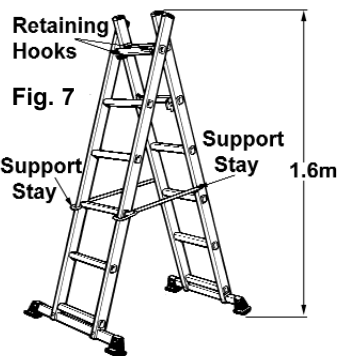
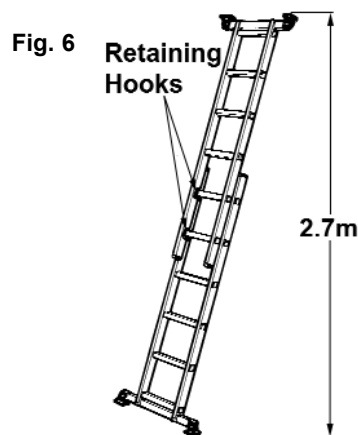
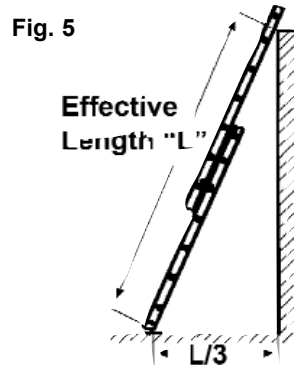
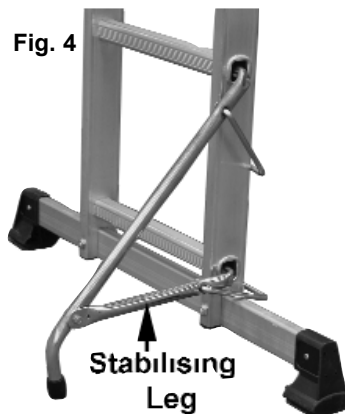
3.3 Extension Ladder

▲ **IMPORTANT!** Always position the ladder at an angle between 65° and 75° to the horizontal. The ladder will be within this range if the base is one third of the effective ladder length away from the foot of the wall. Refer to Fig. 5.

- 3.3.1 Assemble the extension ladder with the two lower rungs of the extension section set in the retaining hooks of to top part of the ground-based section. Refer to Fig. 6.
- 3.3.2 The maximum height of the extension ladder is 2.7 metres (minimum overlap of 2 rungs).

3.4 Step Ladder

- 3.4.1 Assemble the step ladder by connecting the top rung of one ladder to the retaining hooks located on the top rung of the other ladder. Refer to Fig. 7.
- 3.4.2 Connect the support stays to each side of both ladders.
- 3.4.3 The height of the step ladder when assembled is 1.6 metres.



4. DECLARATION OF CONFORMITY

Declaration of Conformity We, the sole importer into the UK, declare that the product listed here is in conformity with the following standards and directives.

Aluminium Scaffold Ladder

Model No.: ASCL1.V2

EN131 - Ladders

(EN131 covers ladders, extension ladders and step ladders)



The construction file for this product is held by the Manufacturer and may be inspected, by a national authority, upon request to Jack Sealey Ltd.

Signed by Steve Buckle

Date 28th February 2006

For Jack Sealey Ltd. Sole importer into the UK of Sealey Power Products.

NOTE: It is our policy to continually improve products and as such we reserve the right to alter data, specifications and component parts without prior notice.

IMPORTANT: No liability is accepted for incorrect use of this product.

WARRANTY: Guarantee is 12 months from purchase date, proof of which will be required for any claim.

INFORMATION: For a copy of our latest catalogue call us on 01284 757525 and leave your full name and address, including postcode.