

Thank you for purchasing a Sealey product. Manufactured to a high standard this product will, if used according to these instructions and properly maintained, give you years of trouble free performance.

⚠ IMPORTANT: PLEASE READ THESE INSTRUCTIONS CAREFULLY. NOTE THE SAFE OPERATIONAL REQUIREMENTS, WARNINGS & CAUTIONS. USE THE PRODUCT CORRECTLY AND WITH CARE FOR THE PURPOSE FOR WHICH IT IS INTENDED. FAILURE TO DO SO MAY CAUSE DAMAGE OR PERSONAL INJURY AND WILL INVALIDATE THE WARRANTY. PLEASE KEEP INSTRUCTIONS SAFE FOR FUTURE USE.

1. SAFETY INSTRUCTIONS

1.2 GENERAL SAFETY

- ▲ **DANGER! Take care when using and moving extended ladders in the vicinity of power cables - risk of potentially fatal electric shock.**
- ❑ **WARNING!** Ensure Health and Safety, local authority, and general workshop practice regulations are adhered to when using this equipment.
- ✓ Familiarise yourself with the application and limitations of the ladder, as well as the potential hazards.
- ✓ Maintain the equipment in good condition.
- ✓ Replace or repair damaged parts. Use genuine parts only. Non-authorized parts may be dangerous and will invalidate the warranty.
- ✓ Keep the work area clean, uncluttered and ensure there is adequate lighting.
- ❑ **WARNING!** Use ladder on level and solid ground and either have an assistant stand on the lowest rung or otherwise anchor the base of the ladder to prevent slipping.
- ❑ **WARNING! DO NOT** use the ladder, step ladder or scaffolding on sloping ground. When viewed from the front, the top of the ladder section(s) must always be directly above the base.
- ✓ Place ladder at an angle of 70° - foot of ladder 1 metre from wall for each 3 metres up - for stability.
- ✓ Where possible, lash top of ladder to a fixture to prevent slipping.
- ❑ **WARNING!** Never over-reach when on the ladder, step ladder or scaffolding.
- ✓ Keep children and unauthorised persons away from the working area.
- x **DO NOT** use the ladder, step ladder or scaffolding for any purpose other than that for which they are designed.
- x **DO NOT** use the equipment if any parts are damaged or missing as this may cause failure and/or personal injury.
- x **DO NOT** exceed the rated capacity of the ladder, step ladder or scaffolding.
- x **DO NOT** climb scaffolding to get onto platform.
- x **DO NOT** allow children to climb the ladder, step ladder or scaffolding.
- x **DO NOT** use the equipment when you are tired, under the influence of alcohol, drugs or intoxicating medication.
- ✓ When not in use store in a safe, dry, childproof area.

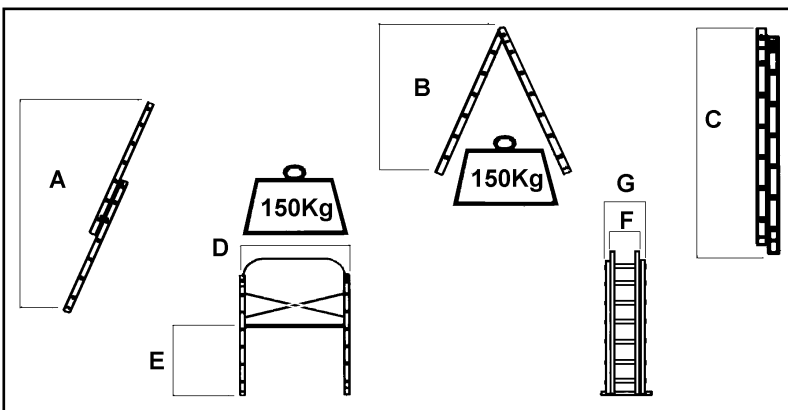
2. CONTENTS & SPECIFICATION

2.1. Contents

Unpack the product and check contents against the parts listed below. Should any parts be damaged or missing contact your supplier immediately.

Contents: • Ladder Sections - 2 • Stabilizer Bars - 2 • Platform • Tie Bars - 2

2.2. Specification



ASCL1	A	B	C	D	E	F	G
Dimensions (mm)	2820	1617	1693	1200	1000	415	500
Weight (kg)	16						
Capacity (kg)	150						

3. ASSEMBLY & USE

3.1. Stabilizer bars

- 3.1.1. Remove nuts and bolts from slotted ends (fig.1.A) of ladder sections.
- 3.1.2. Fit stabilizer bar into slotted ends of each ladder section and retain with the nuts and bolts.

Notes: a) Stabilizer bars have different mounting hole pitches to suit the different ladder section widths.
b) Bars must be fitted with 'foot' (fig.1.B) facing away from ladder.

☐ **WARNING! Stabilizer bars must be fitted for all uses.**

3.2. Extending ladder

- 3.2.1. Stand the two ladder sections so that the feet (fig.1.B) are on the ground.
- 3.2.2. Slide the top of the narrower section into the brackets (fig. 1.C) at the top of the wider section, ensuring that the supports (fig.1.D) are facing the wider section.
- 3.2.3. Engage supports (fig.1.D) at base of narrower section onto bottom rung of wider section.
- 3.2.4. The height of the ladder may now be adjusted by opening the retaining catch on the right hand support, raising the narrower ladder section and engaging the supports on the appropriate rung of the wider section.

☐ **WARNING! Always maintain an overlap of at least THREE rungs when extending the ladder.**

▲ **IMPORTANT! Always position the ladder at an angle between 65° and 75° to the horizontal. The ladder will be within this range if the base is one third of the effective ladder length away from the foot of the wall, see fig.2.**

3.3. Step ladder

- 3.3.1. Fit the two ladder sections together as in 3.2.1. and 3.2.2.
- 3.3.2. Pull apart the bases of the two sections and locate the pins (fig.1.E) at the top of the wider section in the angled slots (fig.1.F) in the top of the narrower section.
- 3.3.3. Remove the red finger nut from the stay rod (fig.1.G), pull right angled end of stay from its stowage hole in the wider ladder section and locate it in the appropriate hole in the narrower ladder section. Retain with the finger nut. The stay will now prevent the feet of the step ladder from sliding apart. It may be necessary to adjust slightly the distance between the feet to fit the stay end in the narrow ladder section.

☐ **WARNING! Never use the step ladder without the stay in place.**

3.4. Scaffolding

Note: Single-handed assembly will be easier if steps 3.4.5. to 3.4.7. are carried out with the ladder sections lying on the ground and the assembly then lifted upright.

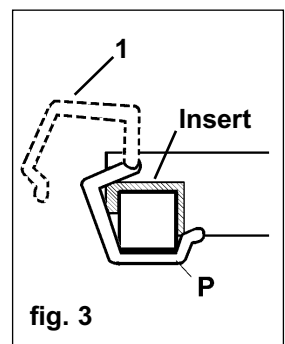
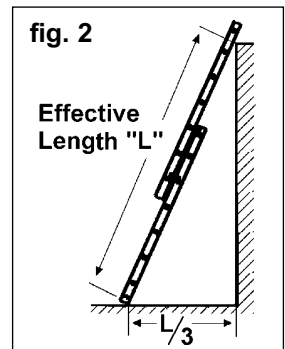
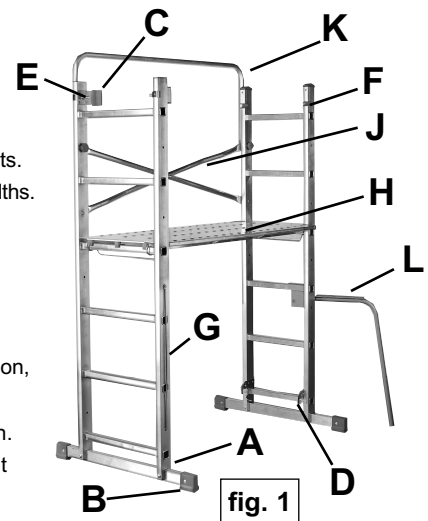
- 3.4.1. Separate the two ladder sections.
- 3.4.2. Determine required platform height and appropriate rung on which to mount the platform (fig.1.H).
- 3.4.3. Note that the platform has a wide cut-out at one end and a narrow cut-out at the other to suit the wide and narrow ladder sections.
- 3.4.4. Pivot the latch bar at the end of the platform out and up, see fig.3.1.
- 3.4.5. Place the platform end over the ladder rung and press down so that the three plastic inserts are pushed firmly onto the rung, see fig.3.
- 3.4.6. Pull the latch bar round until it clips onto the rung corner as shown at point 'P' in fig.3.
- 3.4.7. Repeat for the second ladder section.

☐ **WARNING! For safety, assemble ladder sections to the platform so that the support brackets (fig.1.D) on the narrow ladder section and the brackets (fig.1.C) on the wide ladder section face inward.**

- 3.4.8. Fit the tie bars (fig.1.J) between the ladder sections as shown, using the screws and finger nuts provided. The tie bars may be fitted above or below the platform, depending on the platform height. Note that one tie bar is straight while the other is shaped at either end. Fit the tie bar assembly with the shaped bar on the outside so that all four tie bar ends align correctly with the sides of the ladder sections.

Note: If the ground is of different levels the platform can be attached to different height rungs on each ladder section to compensate.

▲ **DANGER! Never attempt to climb scaffolding to get onto platform. Always access platform from a separate set of steps.**



4. ACCESSORIES

- 4.1. The following accessories, for use with the ladder in scaffolding form, are available from Sealey suppliers:
 - Hand Rail (fig.1.K) - Model No. ASCL1/1.
 - Step (fig.1.L) - Model No. ASCL1/2.

<p>Aluminium Scaffold Ladder Model No.: ASCL1</p> <p>EN131 - Ladders (EN131 covers ladders, extension ladders and step ladders)</p>	<p>Declaration of Conformity We, the sole importer into the UK, declare that the product listed here is in conformity with the following standards and directives.</p> <p>CE The construction file for this product is held by the Manufacturer and may be inspected on request by contacting Jack Sealey Ltd.</p> <p>Signed by Mark Sweetman Date 2nd January 2000</p> <p style="text-align: center; font-size: small;">For Jack Sealey Ltd. Sole importer into the UK of Sealey Power Products.</p>
--	--

NOTE: It is our policy to continually improve products and as such we reserve the right to alter data, specifications and component parts without prior notice.

IMPORTANT: No liability is accepted for incorrect use of this product.

WARRANTY: Guarantee is 12 months from purchase date, proof of which will be required for any claim.

INFORMATION: For a copy of our latest catalogue call us on 01284 757525 and leave your full name and address, including postcode.

	<p>Sole UK Distributor, Sealey Group, Bury St. Edmunds, Suffolk.</p>	01284 757500 01284 703534	<p>E-mail: sales@sealey.co.uk</p>
--	--	----------------------------	---