



INSTRUCTIONS FOR:
2 TON FOLDING AXLE STAND
 Model No: **AS2000F**

Thank you for purchasing a Sealey product. Manufactured to a high standard this product will, if used according to these instructions and properly maintained, give you years of trouble free performance.



IMPORTANT: PLEASE READ THESE INSTRUCTIONS CAREFULLY. NOTE THE SAFE OPERATIONAL REQUIREMENTS, WARNINGS AND CAUTIONS. USE THIS PRODUCT CORRECTLY AND WITH CARE FOR THE PURPOSE FOR WHICH IT IS INTENDED. FAILURE TO DO SO MAY CAUSE DAMAGE, OR PERSONAL INJURY, AND WILL INVALIDATE THE WARRANTY. RETAIN INSTRUCTIONS FOR FUTURE USE.

1. SPECIFICATIONS

AS2000F Capacity.....2 Tons each stand
 Low Height 275mm
 Max Height365mm

2. SAFETY INSTRUCTIONS

- ✓ Ensure axle stands are in good order and condition. DO NOT use if damaged.
- ✓ Ensure you familiarise yourself with the product and its folding mechanism. Ensure the locking pin is in place before use.
- ✓ Apply handbrake and chock wheels before jacking and using stands. (Put automatics in 'park')
- ✓ When raising stand's centre column to engage load ensure the dead centre of stand's saddle is located under vehicles' jacking point. Refer to vehicle's handbook for jacking points.
- ▲ **DANGER!** great care must be taken to ensure you lower the vehicle load slowly & carefully onto stands.
- ✓ Ensure that vehicle and stands are stable before starting work.
- X DO NOT use on soft ground or tarmacadam. Use on concrete only
- X DO NOT use single stand. Only use in pairs.
- X **DO NOT support more than 4 tons per pair. (capacity = 2 ton per stand).**
- X DO NOT use 4 stands on one vehicle.
- X DO NOT jack on end of vehicle if the other end is already on stands.
- X DO NOT use for three wheeled vehicles or trailers. Refer to maker's instructions.
- X DO NOT use stands if damaged.

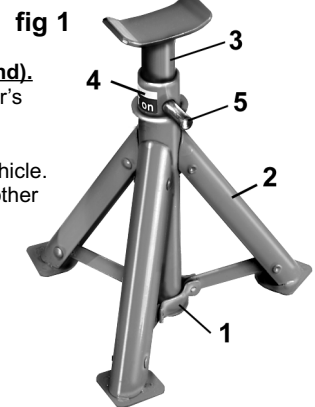
▲ **DANGER! DO NOT OVERLOAD AXLE STANDS BEYOND RATED CAPACITY OF THE PAIR OF STANDS. OVERLOADING CAN CAUSE DAMAGE TO, OR, FAILURE OF THE AXLE STANDS. POSITION LOAD ON CENTRE OF SADDLE ONLY. ALWAYS USE STANDS IN PAIRS ON HARD LEVEL SURFACE CAPABLE OF SUSTAINING THE LOAD. USE OF STANDS ON OTHER THAN HARD LEVEL SURFACES CAN RESULT IN LOAD INSTABILITY AND POSSIBLE LOSS OF LOAD. DO NOT USE ON TARMACADAM. FAILURE TO FOLLOW THESE INSTRUCTIONS, MAY RESULT IN DAMAGE TO AXLE STANDS, LOSS OF LOAD, RESULTING IN PROPERTY DAMAGE, SERIOUS PERSONAL INJURY, OR LOSS OF LIFE.**

3. BEFORE FIRST USE

Familiarise yourself with the product. Check that the stands are in good order and condition and that no damaged has been sustained during transit. familiarise yourself with the folding mechanism (fig 1.1) and the extending legs (fig 1.2). Insert the centre column (fig 1.3) in the centre tube (fig 1.4), adjust to height required and insert the locking pin (fig 1.5). When lowering the centre column, hold the centre column firmly before removing the pin. Failure to do so will allow the centre column to free fall through the centre tube (fig 1.4) which may be dangerous.

4. OPERATION

- 4.1. **Ensure the maximum load does not exceed 4 tons per pair of axle stands, (2 ton for each stand).**
- 4.2. Refer to vehicle owner's hand book for correct jacking procedure. Check to ensure that manufacturer's recommended jacking points are in good condition.
- 4.3. Ensure the vehicle brake is on (or in parked mode) and wheels are chocked.
- 4.4. Ensure the stand legs are fully extended and adjust height of stand to correspond with the raised vehicle. Check that the locking pin is correctly pushed all the way through the centre column and out of the other side, then position stands under vehicle at points specified by vehicle manufacturer.
- 4.5. Carefully and slowly lower the load onto stands. Ensure the load bearing points sit in the centre of the stand saddle and check that the stands are stable and not leaning.
- 4.6. After use, Hold the centre column (2) firmly when removing the locking pin (3). Failure to do so will allow the centre column to fall freely through the main centre tube which could be dangerous.



☐ **WARNING!** ensure you follow all instructions carefully. DO NOT load off centre of stands. Failure to heed these warnings may cause damage, serious injury or loss of life!

5. MAINTENANCE & INSPECTION

- 5.1 Before each use check to ensure stands and stand welds are not cracked, and that there are no missing and/or damaged parts.
 ☐ **WARNING!** Any stand that appears to be damaged in any way *must be removed from service immediately.*
- 5.2. Ensure the locking pin, folding arms and mechanism are in good order and condition.
- 5.3. Due to the potential hazards associated with these stands, do not misuse, or make any modification to the stands or components.
- 5.4. It is the responsibility of the stand's owner to ensure the operator has read these instructions together with the safety features on the side of the stand, and that the operator is familiar with the stands use and limitations.

IMPORTANT: NO RESPONSIBILITY IS ACCEPTED FOR INCORRECT USE OF THIS EQUIPMENT.

WARRANTY: GUARANTEE IS 12 MONTHS FROM PURCHASE DATE. PROOF OF PURCHASE WILL BE REQUIRED FOR ANY CLAIM.

INFORMATION: PLEASE CALL US FOR A COPY OF OUR LATEST CATALOGUE.



Sole UK Distributor
 Sealey Group,
 Bury St. Edmunds, Suffolk.

01284 757500
 01284 703534

www.sealey.co.uk
 sales@sealey.co.uk