



INSTRUCTIONS FOR:

ALUMINIUM ROOF BARS 1200, 1350MM FOR TRADITIONAL ROOF RAILS 90KG MAX LOAD

MODEL Nos: **ARB120.V3, ARB135.V3**

Thank you for purchasing a Sealey product. Manufactured to a high standard, this product will, if used according to these instructions, and properly maintained, give you years of trouble free performance.

IMPORTANT: PLEASE READ THESE INSTRUCTIONS CAREFULLY. NOTE THE SAFE OPERATIONAL REQUIREMENTS, WARNINGS & CAUTIONS. USE THE PRODUCT CORRECTLY AND WITH CARE FOR THE PURPOSE FOR WHICH IT IS INTENDED. FAILURE TO DO SO MAY CAUSE DAMAGE AND/OR PERSONAL INJURY AND WILL INVALIDATE THE WARRANTY. KEEP THESE INSTRUCTIONS SAFE FOR FUTURE USE.



Refer to instruction manual

1. SAFETY

- DO NOT** use the roof bars if any parts are missing or damaged as this may cause failure or possible personal injury.
- ▲ **WARNING!** Owing to the variety in design of vehicles it is the user's full responsibility to ensure no damage occurs whilst using these roof bars. Correct attachment to a vehicle is therefore critical and is beyond control of the manufacturer, distributor, or supplier.
- ▲ **WARNING!** The user must secure the roof bars properly, checking the security frequently when in use.
- ▲ **WARNING!** Avoid any protrusions beyond the side of the car as these may present a risk of injury to passers-by.
- DO NOT** use the roof bars for any purpose other than for which they are designed.
- ▲ **WARNING!** Drive carefully - Be aware of cross winds, sudden braking or hard cornering, reduce speed accordingly when roof bars are fitted.
- ▲ **WARNING!** These roof bars are designed for temporary use only, remove when not in use or before going through a car wash.
- ✓ Before every use check the bars for security of fittings or any sign of wear and tear. Replace any worn or damaged parts.
- ✓ Check the load is stable before moving off.
- ✓ Be cautious of the load height and restrictions of the route(s) you will be taking.
- DO NOT** exceed the weight limit stated in the specifications or the vehicle handbook, whichever is lower.
- ▲ **WARNING!** Remember the driver of the vehicle is responsible for the security and safety of the load carried.

2. INTRODUCTION

Aerodynamic aluminium roof bars to fit onto traditional roof rails, complete with anti-theft locks. Available in two lengths to suit most vehicles fitted with traditional roof rails up to 58mm wide. Maximum load capacity 90kg.

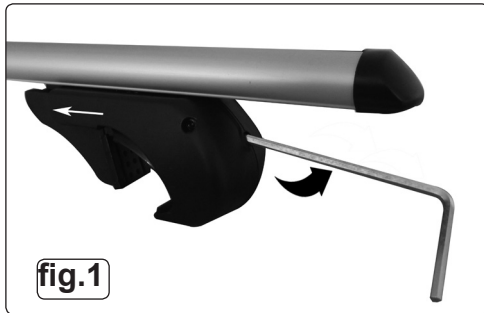
3. SPECIFICATION

Model No:	ARB120	ARB135
Overall Length:	1200mm	1350mm
Maximum Load Capacity:	90kg	90kg

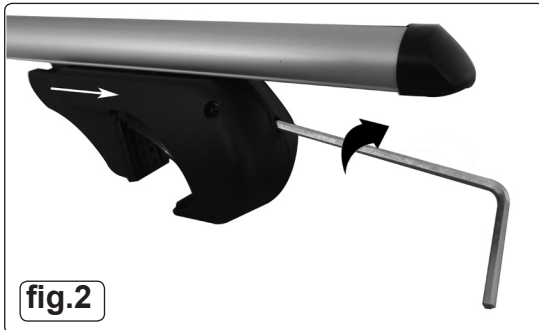


3. INSTALLATION

- 3.1. Before offering the roof bars to the roof rail, open both clamps sufficiently for them to straddle the rail.
- 3.1.1. The clamp is opened by inserting the hex key and winding in an anticlockwise direction as in fig.1.
- 3.1.2. The hex key opening on the locking clamp is protected by a shutter which is opened by inserting the key and turning anticlockwise.



- 3.2. To avoid the risk of damage to the vehicle roof, it is recommended that two people lift the roof bars into place.
- 3.3. Position the clamps over the roof rails and adjust the bar until it is centrally situated; take care not to let the bar protrude beyond the outline of the vehicle.
- 3.4. Unless the vehicle handbook states differently, space the two bars at least 700mm apart (front to rear).
- 3.5. When in position, tighten the clamps (to 6Nm) as in fig.2.
- 3.6. The clamps should grip the roof rail as in fig.3.
- 3.7. As the inner jaw of the clamp tightens against the rail it will also tighten against the bar, securing it in place.
- 3.8. When secure, close the hex key hole shutter by turning the key clockwise and removing.



4. LOAD SECURITY

- 4.1. **DO NOT** rely on elasticated fastenings to secure loads to roof bars; use straps.
- 4.2. Ensure that any load or attachment is placed centrally or symmetrically on the roof bars, with the centre of gravity as low as possible.
- 4.3. The roof bars are supplied with 4 x square headed bolts to facilitate the attachment of accessories.
- 4.3.1. To attach these bolts, first remove the bar end cap and slide out the filler strip as in fig.4.
- 4.3.2. Position the bolts in their intended location (fig.5).
- 4.3.3. Cut the filler strip into the required length to fill the top channel on either side of the bolts.
- 4.3.4. Slide the bolts out.
- 4.3.5. Refill the top channel with the filler strip and bolts in their correct order as in fig.6.
- 4.3.6. Refit the end caps and secure the accessory to the bar using M6 nuts (not supplied).



- WARNING!** The warnings, cautions and instructions in this manual cannot cover all possible conditions and situations that may occur. It must be understood by the user that common sense and caution are factors which cannot be built into this product, but must be applied by the user.

Environmental Protection.



Recycle unwanted materials instead of disposing of them as waste. All tools, accessories and packaging should be sorted, taken to a recycling centre and disposed of in a manner which is compatible with the environment.

NOTE: It is our policy to continually improve products and as such we reserve the right to alter data, specifications and component parts without prior notice.

IMPORTANT: No liability is accepted for incorrect use of this product.

WARRANTY: Guarantee is 12 months from purchase date, proof of which will be required for any claim.

SEALEY

Sole UK Distributor, Sealey Group,
Kempson Way, Suffolk Business Park,
Bury St. Edmunds, Suffolk,
IP32 7AR

01284 757500

01284 703534



www.sealey.co.uk



sales@sealey.co.uk