



HEAVY-DUTY WALL MOUNTED STORAGE RACK

MODEL NO: **APWSR01**

Thank you for purchasing a Sealey product. Manufactured to a high standard, this product will, if used according to these instructions, and properly maintained, give you years of trouble free performance.

IMPORTANT: PLEASE READ THESE INSTRUCTIONS CAREFULLY. NOTE THE SAFE OPERATIONAL REQUIREMENTS, WARNINGS & CAUTIONS. USE THE PRODUCT CORRECTLY AND WITH CARE FOR THE PURPOSE FOR WHICH IT IS INTENDED. FAILURE TO DO SO MAY CAUSE DAMAGE AND/OR PERSONAL INJURY AND WILL INVALIDATE THE WARRANTY. KEEP THESE INSTRUCTIONS SAFE FOR FUTURE USE.



Refer to instructions



Wear protective gloves

1. SAFETY

- WARNING!** Ensure Health & Safety, and local authority regulations are adhered to when assembling and using this rack.
- Locate in a suitable area where it will not be an obstruction.
- Keep the general area clean, uncluttered and ensure there is adequate lighting.
- WARNING!** Mount on a flat and solid wall such as breeze block that is strong enough to hold fully laden rack.
- The rack should be firmly secured to the wall in a suitable location.
- Although a generic fixing kit has been provided please ensure suitable fixings are used for the type of wall you intend to mount this shelf.
- DO NOT** attempt to wall mount the rack on your own. Obtain assistance or use manual handling equipment.
- Wall mount the rack at such a height that minimises the risk of injury when used.
- Keep children and unauthorised persons away from the storage area.
- DO NOT** use the rack for any purpose other than that for which it is designed.
- DO NOT** site the rack out of doors.
- DO NOT** get the rack wet or use in damp or wet locations or areas where there is condensation.
- DO NOT** clean the rack with any solvents or abrasives which may damage the coated surface.
- DO NOT** overload the rack.
- Ensure that the rack is properly and firmly assembled and installed before loading it.

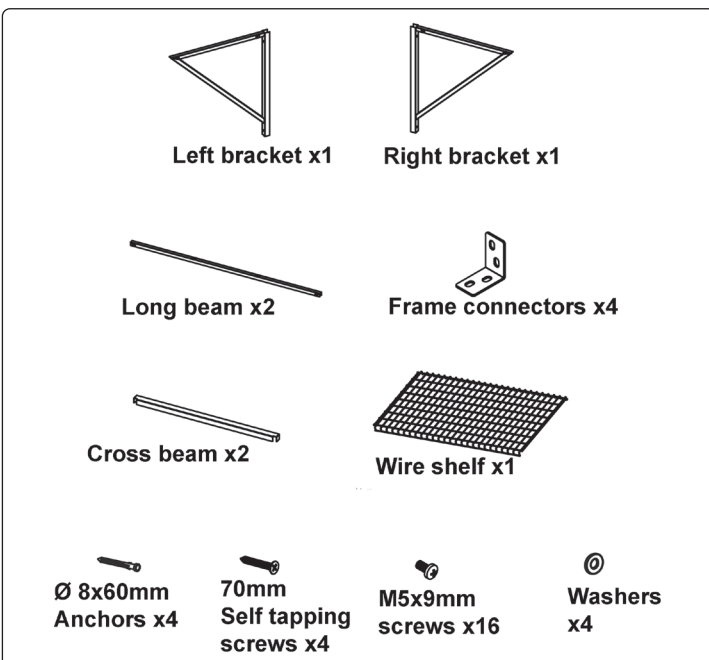
2. INTRODUCTION

Heavy-duty wall mounted storage rack ideal for workshops, garages and warehouses. Features sturdy steel construction and supplied with hardware pack. Suitable for storing a large variety of items with weight capacity of 100kg. Overall size: 1218 x 600 x 650mm.

3. SPECIFICATION

Model No.: APWSR01
 Capacity: 100kg
 Overall Size (W x D x H): 1218 x 600 x 650mm

4. CONTENTS

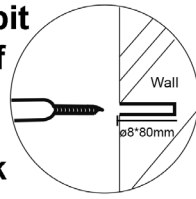


5. ASSEMBLY

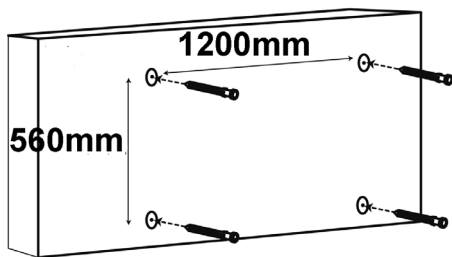
MOUNT BRACKETS ONTO THE WALL

Step 1A

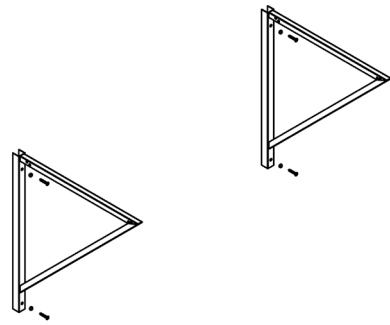
**Ø8mm drill bit
to a depth of
80mm**



Mark out and drill holes in the wall for the anchors. Pay attention to the distance between the holes.



Step 1B

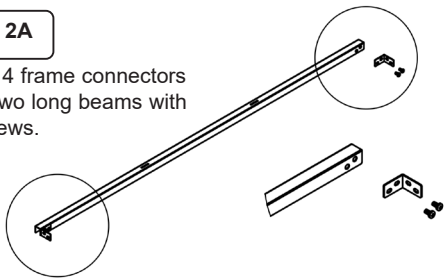


Use the 4pcs of self tapping screws and 4pcs of washers to fix the left and right side brackets onto the wall.

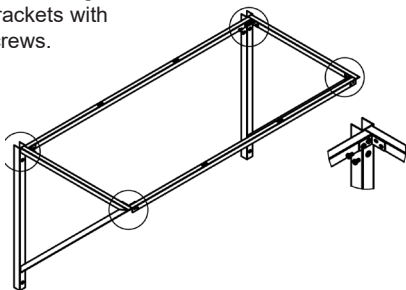
ASSEMBLE THE FRAME

Step 2A

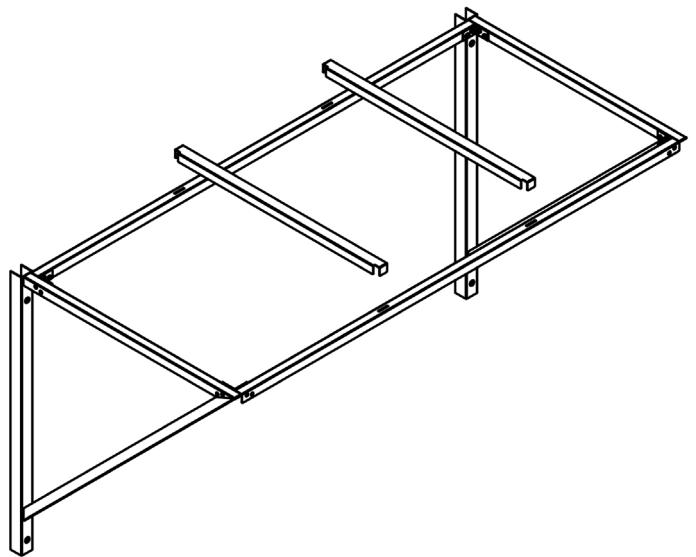
Fix the 4 frame connectors to the two long beams with M5 screws.



Fix the two long beams to the two brackets with M5 screws.

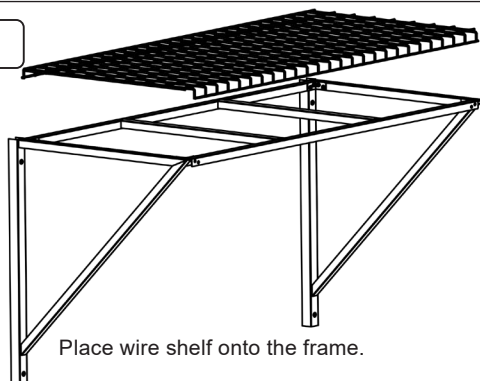


Step 2B



Slot the two cross beams into the two long beams. Make sure they are properly located.

Step 3



Place wire shelf onto the frame.



Ready for use.

6. MAINTENANCE

- 6.1. Regularly check fixings and mountings are firmly fitted and that the rigidity and security of the rack is not compromised.
- 6.2. Wipe clean with damp cloth.
 - × **DO NOT** use chemical or abrasive cleaners as this may result in damage to the surface.



ENVIRONMENT PROTECTION

Recycle unwanted materials instead of disposing of them as waste. All tools, accessories and packaging should be sorted, taken to a recycling centre and disposed of in a manner which is compatible with the environment. When the product becomes completely unserviceable and requires disposal, drain any fluids (if applicable) into approved containers and dispose of the product and fluids according to local regulations.

Note: It is our policy to continually improve products and as such we reserve the right to alter data, specifications and component parts without prior notice.

Important: No Liability is accepted for incorrect use of this product.

Warranty: Guarantee is 12 months from purchase date, proof of which is required for any claim.

Sealey Group, Kempson Way, Suffolk Business Park, Bury St Edmunds, Suffolk. IP32 7AR



01284 757500



01284 703534



sales@sealey.co.uk



www.sealey.co.uk