



900MM/1100MM WALL MOUNTED FOLDABLE WORKBENCHES

MODEL NO: **APWMW01, APWMW02**

Thank you for purchasing a Sealey product. Manufactured to a high standard, this product will, if used according to these instructions, and properly maintained, give you years of trouble free performance.

IMPORTANT: PLEASE READ THESE INSTRUCTIONS CAREFULLY. NOTE THE SAFE OPERATIONAL REQUIREMENTS, WARNINGS & CAUTIONS. USE THE PRODUCT CORRECTLY AND WITH CARE FOR THE PURPOSE FOR WHICH IT IS INTENDED. FAILURE TO DO SO MAY CAUSE DAMAGE AND/OR PERSONAL INJURY AND WILL INVALIDATE THE WARRANTY. KEEP THESE INSTRUCTIONS SAFE FOR FUTURE USE.



Refer to instructions



Wear protective gloves

1. SAFETY

- WARNING!** Ensure Health & Safety, and local authority regulations are adhered to when assembling and using this product.
- Locate in a suitable area where it will not be an obstruction.
- Keep the general area clean, uncluttered and ensure there is adequate lighting.
- WARNING!** Mount on a flat and solid wall such as breeze block that is strong enough to hold the weight of the workbench and anything placed upon/within it.
- A generic fixing kit has been supplied but please ensure only fittings suitable for the type of wall this unit is mounted to are used.
- DO NOT** attempt to wall mount the workbench on your own. Obtain assistance or use manual handling equipment.
- Wall mount the workbench at such a height that minimises the risk of injury when used.
- Keep children and unauthorised persons away from the work area.
- DO NOT** use the workbench for any purpose other than that for which it is designed.
- DO NOT** site the workbench out of doors.
- DO NOT** get the workbench wet or use in damp or wet locations or areas where there is condensation.
- DO NOT** clean the workbench with any solvents or abrasives which may damage the coated surface.
- DO NOT** overload the workbench.
- Ensure that the workbench is properly and firmly assembled and installed before loading it.

2. INTRODUCTION

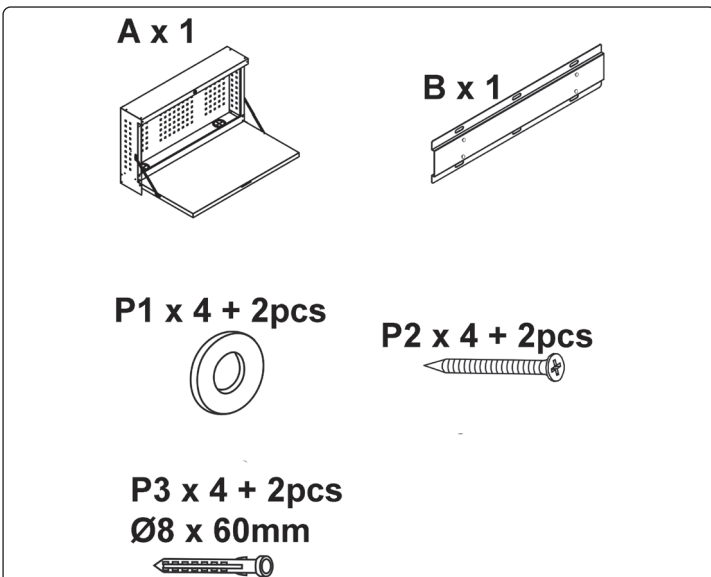
Wall mounted foldable workbench ideal for garages and workshops where space is at a premium. Heavy-duty hammered metal workbench with 100kg capacity. Supplied with 600mm wall mount bracket and hardware pack. Back panel pegboard design compatible with Sealey TTS Hooks with a 10cm deep gap for tool storage. Lockable design for added security of contents within. Also features two cable and plug grommet holes either side for corded tools or powerbar. Overall size: 914 x 620 x 560mm.

3. SPECIFICATION

Model No.:APWMW01
 Overall Size (W x D x H):
 Overall Size Open:914 x 620 x 560mm
 Overall Size Closed:914 x 180 x 560mm
 Workbench Size:914 x 470 x 30mm

Model No.:APWMW02
 Overall Size (W x D x H):
 Overall Size Open: 1100 x 670 x 610mm
 Overall Size Closed: 1100 x 180 x 610mm
 Workbench Size: 1100 x 520 x 30mm

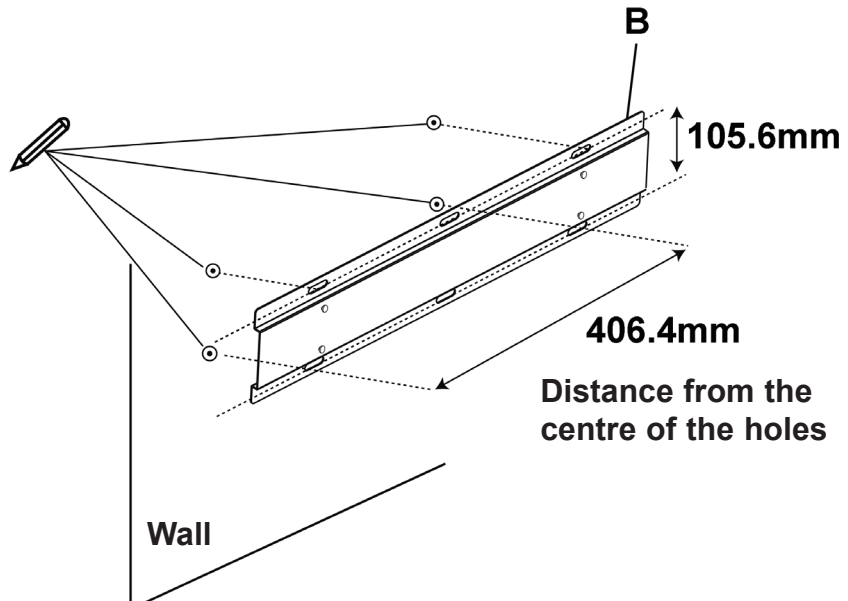
4. CONTENTS



5. ASSEMBLY

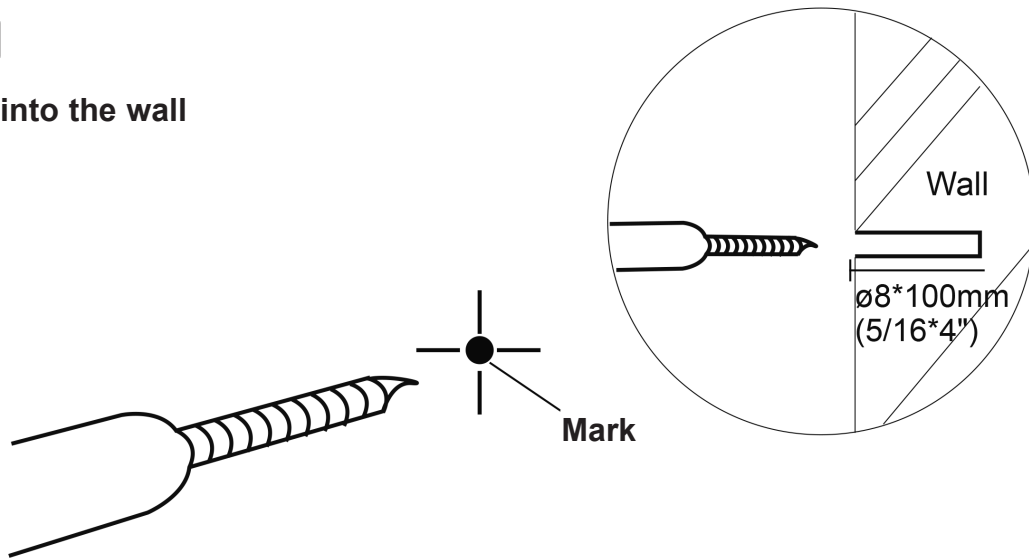
Step 1

Mark wall as below



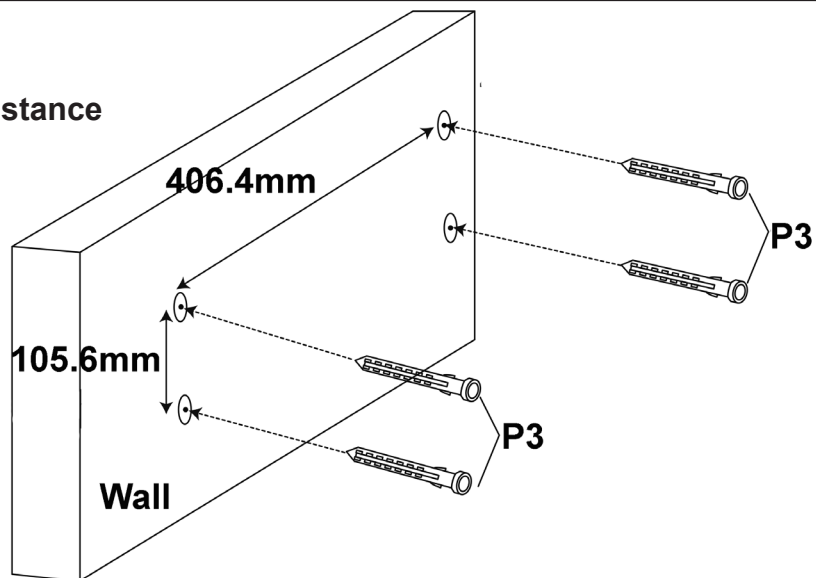
Step 2

Drill into the wall



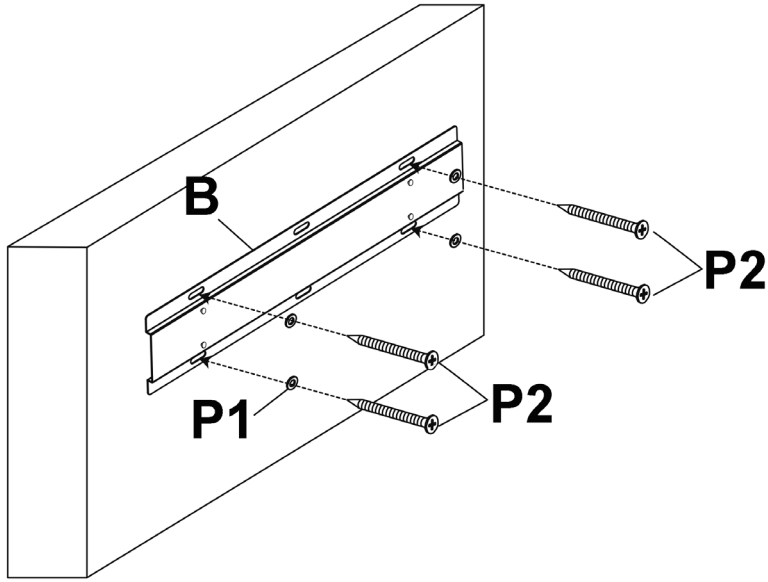
Step 3

Pay attention to the distance between the holes

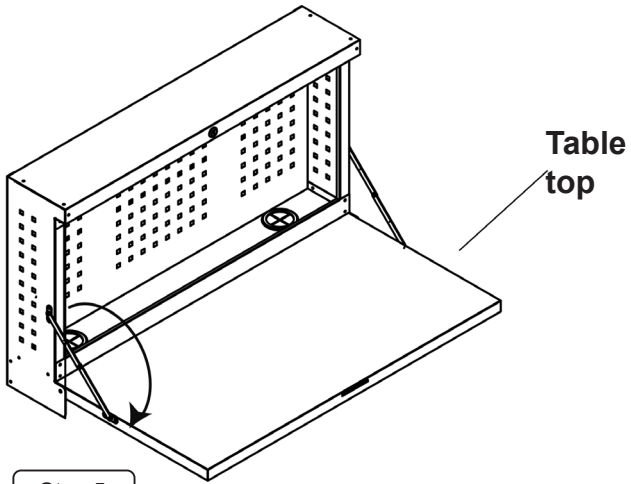


Step 4

B x 1
P1 x 4
P2 x 4

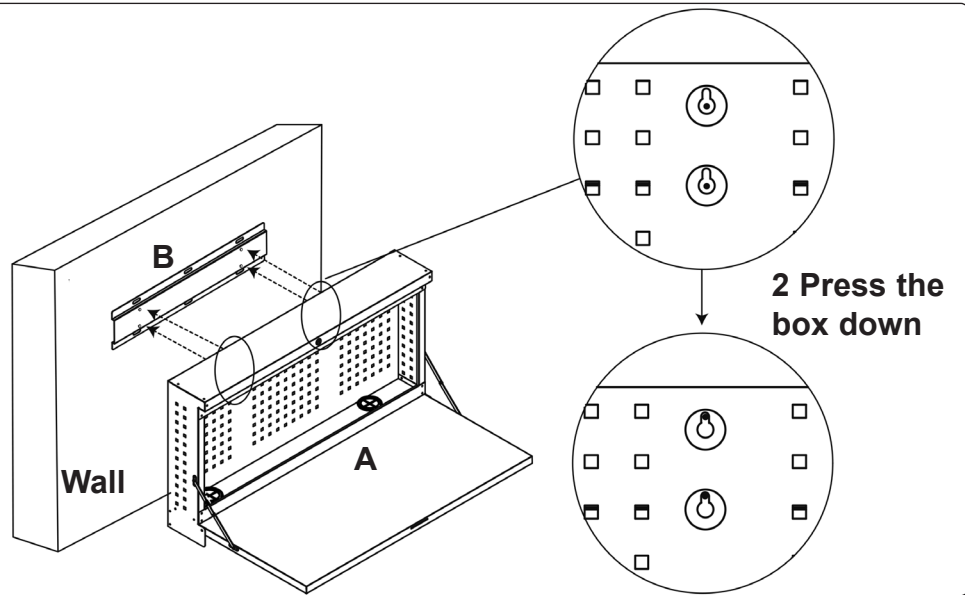


Open body

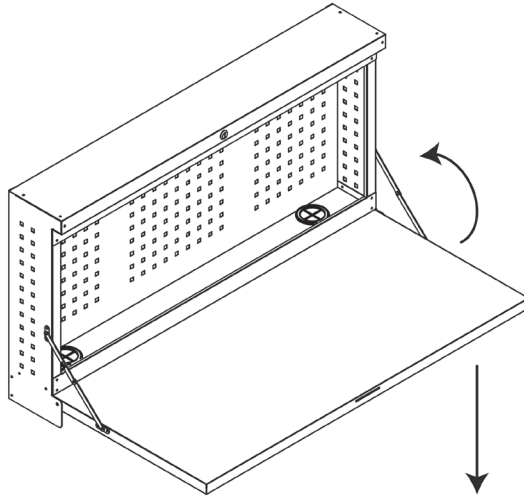


Step 5

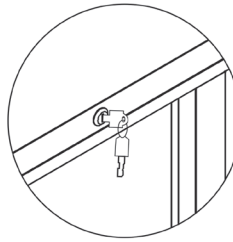
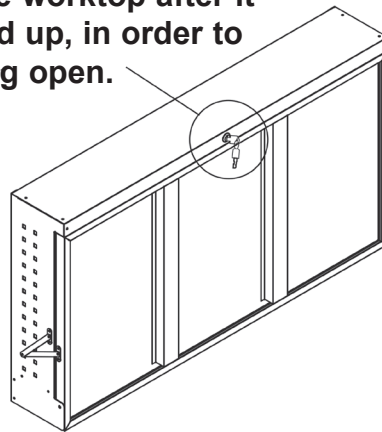
Step 6



Step 7



Always lock the worktop after it has been folded up, in order to prevent it falling open.



ENVIRONMENT PROTECTION

Recycle unwanted materials instead of disposing of them as waste. All tools, accessories and packaging should be sorted, taken to a recycling centre and disposed of in a manner which is compatible with the environment. When the product becomes completely unserviceable and requires disposal, drain any fluids (if applicable) into approved containers and dispose of the product and fluids according to local regulations.



REGISTER YOUR PURCHASE HERE



WEEE REGULATIONS

Dispose of this product at the end of its working life in compliance with the EU Directive on Waste Electrical and Electronic Equipment (WEEE). When the product is no longer required, it must be disposed of in an environmentally protective way. Contact your local solid waste authority for recycling information.

NOTE: It is our policy to continually improve products and as such we reserve the right to alter data, specifications and component parts without prior notice.

IMPORTANT: No Liability is accepted for incorrect use of this product.

WARRANTY: Guarantee is 60 months from purchase date, proof of which is required for any claim.

Jack Sealey Ltd t/a Sealey Group, Kempson Way, Suffolk Business Park, Bury St Edmunds, Suffolk, IP32 7AR UK

Jack Sealey (EU) Ltd t/a Sealey Group, Farney Street, Carrickmacross, Co. Monaghan, A81 PK68 Ireland

Tel: 01284 757500 • Email: sales@sealey.co.uk • Web: www.sealey.co.uk