

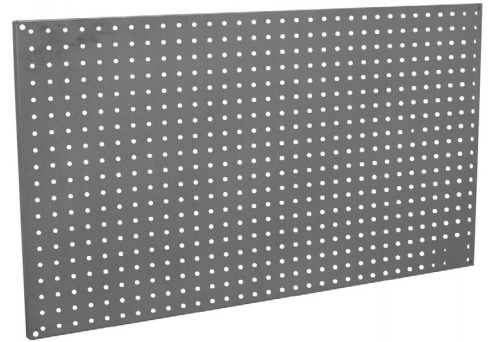
Thank you for purchasing a Sealey product. Manufactured to a high standard this product will, if used according to these instructions and properly maintained, give you years of trouble free performance.

IMPORTANT: PLEASE READ THESE INSTRUCTIONS CAREFULLY. NOTE THE SAFE OPERATIONAL REQUIREMENTS, WARNINGS & CAUTIONS. USE THE PRODUCT CORRECTLY AND WITH CARE FOR THE PURPOSE FOR WHICH IT IS INTENDED. FAILURE TO DO SO MAY CAUSE DAMAGE AND/OR PERSONAL INJURY, AND WILL INVALIDATE THE WARRANTY. PLEASE KEEP INSTRUCTIONS SAFE FOR FUTURE USE.

1. SAFETY INSTRUCTIONS

1.1 GENERAL SAFETY

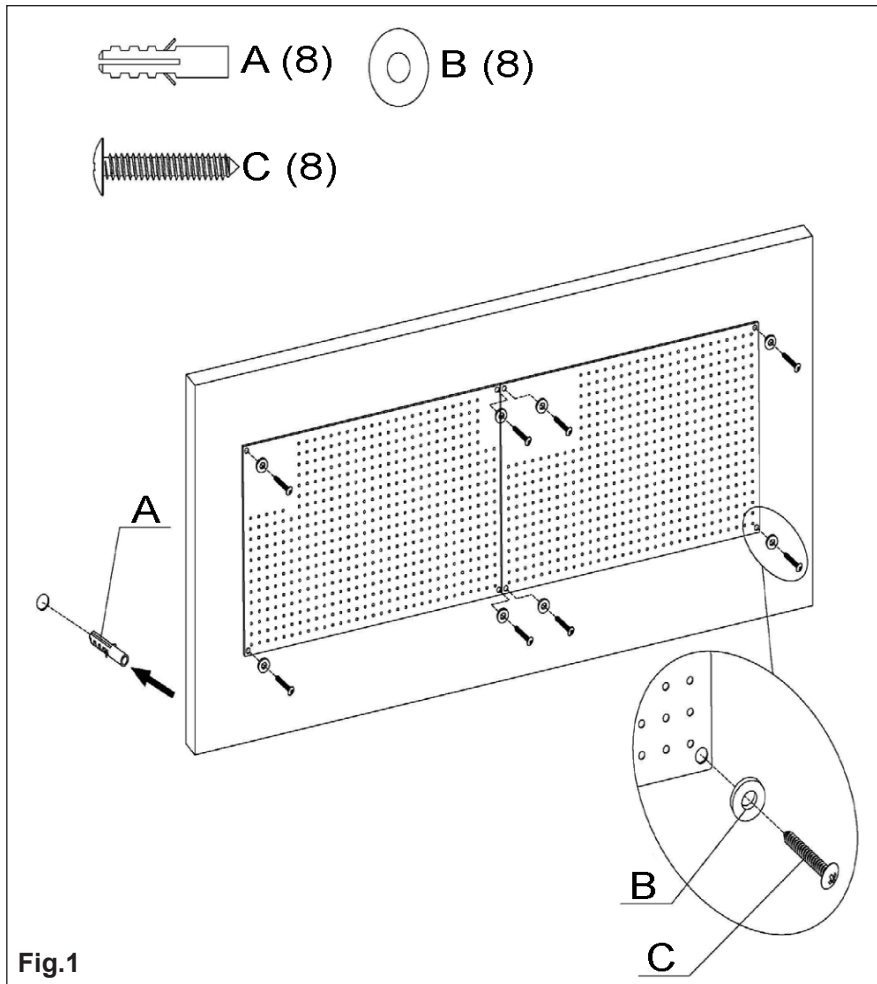
- ❑ **WARNING!** Ensure Health & Safety, local authority, and general workshop practice regulations are adhered to when using this product.
- ❑ **WARNING!** Use caution when handling and assembling the metal components. The metal may have sharp edges or corners, the use of protective gloves is recommended.
- ✓ Locate peg board in a suitable working area.
- ✓ Keep the work area clean, uncluttered and ensure there is adequate lighting.
- ✓ Keep the peg board clean and tidy in accordance with good workshop practice.
- ✓ Keep children and unauthorised persons away from the working area.
- x **DO NOT** exceed the weight limit of 20kg (45lb) per panel.
- x **DO NOT** use the peg board for any purpose other than that for which it is designed.
- x **DO NOT** use in damp work areas.
- ❑ **WARNING!** The warnings, cautions and instructions referred to in this instruction manual cannot cover all possible conditions and situations that may occur. It must be understood that common sense and caution are factors which cannot be built into this product, but must be applied by the operator.



2. INTRODUCTION

Use as part of a complete professional garage storage system or an individual storage panel. Perforated storage panel ideal for hanging tools to keep garage/workshop clean and tidy. All steel construction with a graphite powder coat finish.

Overall Size (W x D x H):	823 x 15 x 490mm
---------------------------	------------------



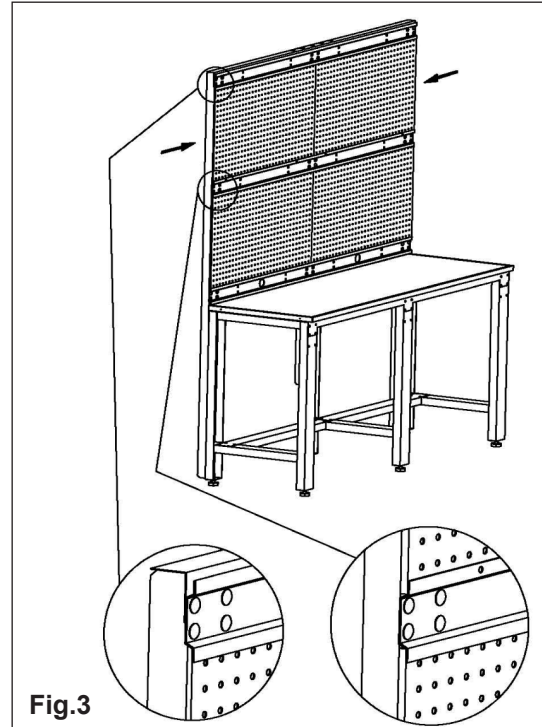
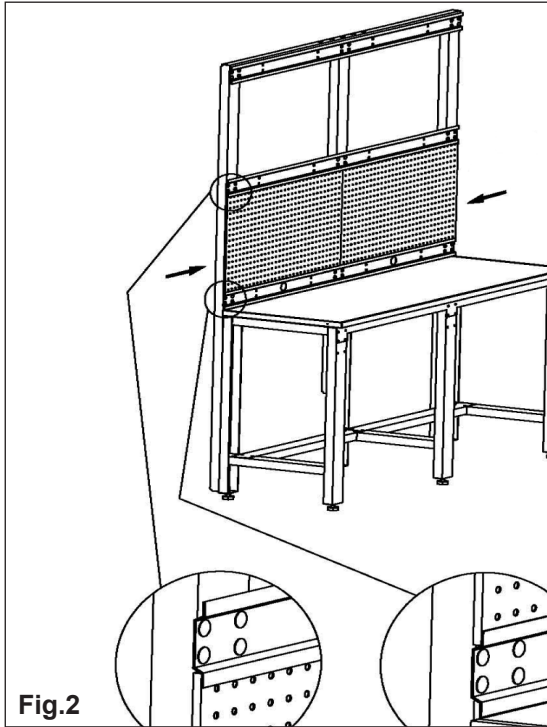
3. ASSEMBLY

3.1 Fitting the peg board directly to a wall (Fig.1).

- 3.1.1 Position the panel on the wall surface, use a spirit level to align and mark the position for each of the four mounting holes.
- 3.1.2 Using a size 8 drill bit, drill the holes and then insert the four nylon rawl plugs (A), if a wood stud is located, **DO NOT** use rawl plugs, the panel can be screwed directly into the wood.
- 3.1.3 Attach the peg board to the wall using screws (C) and washers (B), **DO NOT** over tighten.

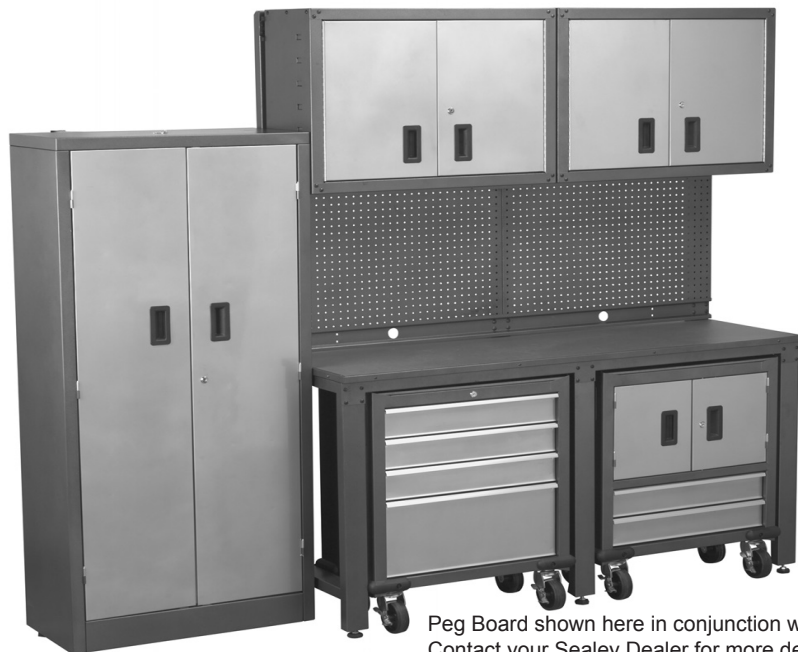
3.2 Fitting to the optional Mounting Frame (APMF).

- 3.2.1 Slide the peg board between the rails of the mounting frame as shown in Fig.2 and or Fig.3 depending on the configuration required.



4. MAINTENANCE

- 4.1 Periodically the surface should be cleaned with a mild detergent and water solution.
- 4.2 Grease and oil can be removed with most standard cleaning fluids. For safety, use a nonflammable cleaning fluid.



Peg Board shown here in conjunction with other options available. Contact your Sealey Dealer for more details.

Parts support is available for this product.

To obtain a parts list and diagram please log on to www.sealey.co.uk, email sales@sealey.co.uk or phone 01284 757500

NOTE: It is our policy to continually improve products and as such we reserve the right to alter data, specifications and component parts without prior notice.

IMPORTANT: No liability is accepted for incorrect use of this product.

WARRANTY: Guarantee is 12 months from purchase date, proof of which will be required for any claim.

INFORMATION: For a copy of our catalogue and latest promotions call us on 01284 757525 and leave your full name, address and postcode.



Sole UK Distributor
Sealey Group,
Bury St. Edmunds, Suffolk.

01284 757500
01284 703534

www.sealey.co.uk
sales@sealey.co.uk