



# SPRAY CAN STORAGE RACK WITH 8 CAN HOLDERS

MODEL NO: **APSCR8**

Thank you for purchasing a Sealey product. Manufactured to a high standard, this product will, if used according to these instructions, and properly maintained, give you years of trouble free performance.

**IMPORTANT:** PLEASE READ THESE INSTRUCTIONS CAREFULLY. NOTE THE SAFE OPERATIONAL REQUIREMENTS, WARNINGS & CAUTIONS. USE THE PRODUCT CORRECTLY AND WITH CARE FOR THE PURPOSE FOR WHICH IT IS INTENDED. FAILURE TO DO SO MAY CAUSE DAMAGE AND/OR PERSONAL INJURY AND WILL INVALIDATE THE WARRANTY. KEEP THESE INSTRUCTIONS SAFE FOR FUTURE USE.



Refer to instructions



Wear eye protection

## 1. SAFETY

- WARNING!** Ensure Health & Safety, local authority, and general workshop practice regulations are adhered to when using this product.
- ✓ Locate product in a suitable working area.
- ✓ Keep the work area clean, uncluttered and ensure there is adequate lighting.
- ✓ Keep the product clean and tidy in accordance with good workshop practice.
- ✓ Keep children and unauthorised persons away from the working area.
- ✗ **DO NOT** use the product for any purpose other than that for which it is designed.
- ✗ **DO NOT** exceed maximum capacity of product.
- ✗ **DO NOT** use the product out of doors.
- ✗ **DO NOT** get the product wet or use in damp or wet locations or areas where there is condensation.
- ✗ **DO NOT** clean the product with any solvents which may damage the paint surface or the protective coating.

## 2. INTRODUCTION

Wall mounting rack specifically designed for spray can storage. Shelf space for larger products and also a paper towel dispenser bar.

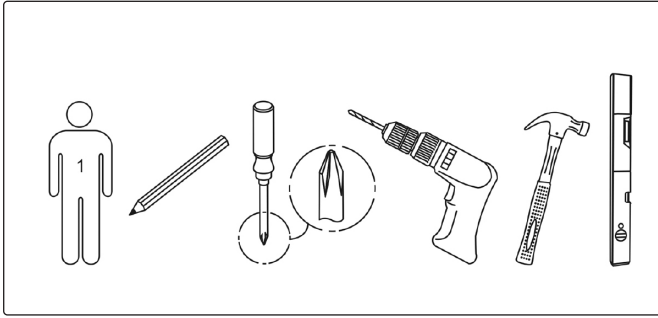
## 3. SPECIFICATION

Model no:	APSCR8
Can Holder Diameter:	Ø70mm
Can Holders:	8
Nett Weight:	3.85kg
Paper Towel Holder Width:	375mm

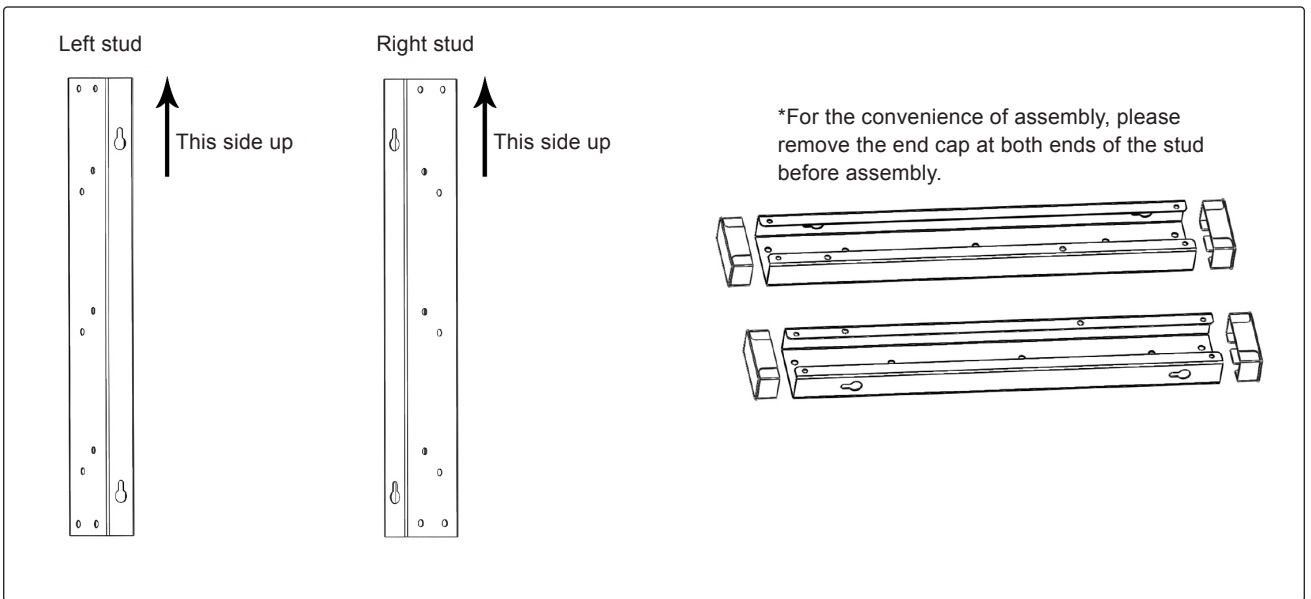
## 4. CONTENTS

Part Code	Part Shape	Descriptions	Qty	Part Code	Part Shape	Descriptions	Qty
A		Left stud	1	G		Connecting piece	2
B		Right stud	1	H		Plastic cap	2
C		Bottle holder	2	I		M6 Bolt & Nut	20
D		Shelf	2	J		Mini hook	4
E		Support plate	1	K		M4.8*50.8mm Mounting screw	4
F		Paper towel holder tube	1	L		Plastic Anchor	4

#### 4.1. TOOLS REQUIRED



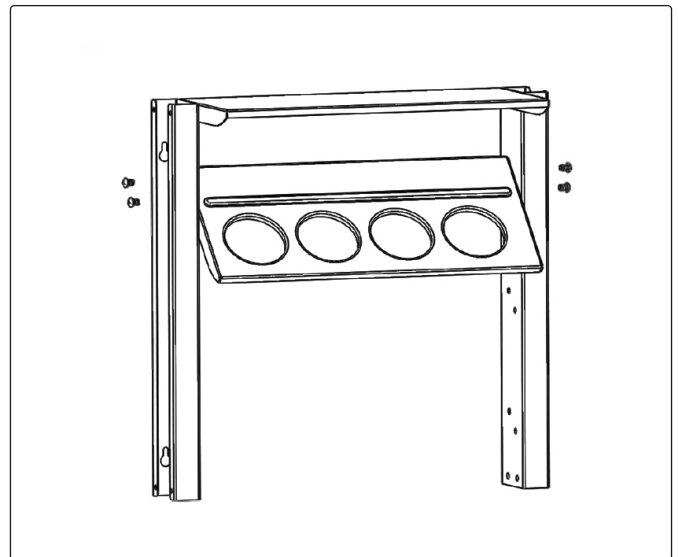
**NOTE:** Ensure correct fixings are used for the wall type, and is capable of withstanding the load of rack and paint cans, and make sure the mounting bar is in correct facing and up-down orientation before installation.



### 5. ASSEMBLY

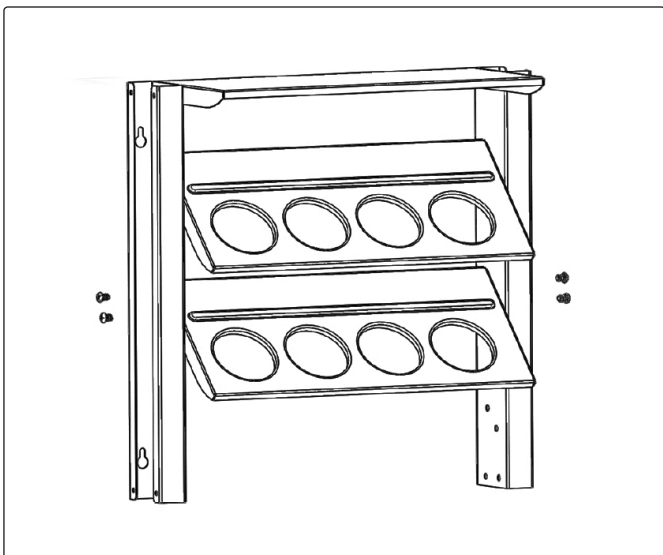


Step 1. Attach shelf to the left and right stud using the M6 nuts and bolts.

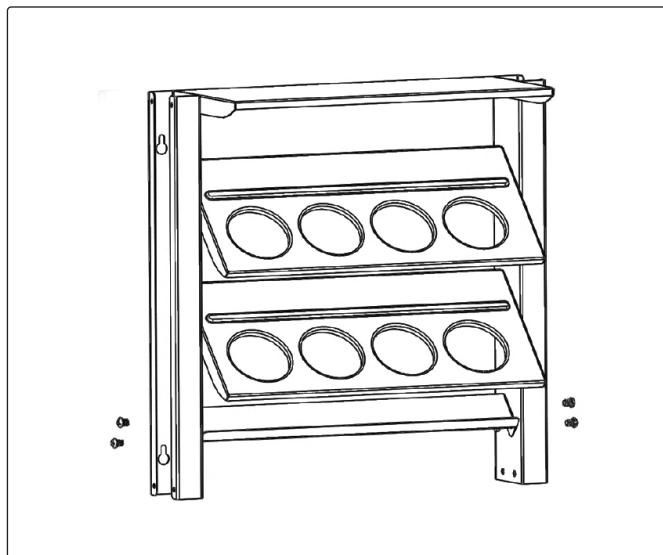


Step 2. Attach the top bottle holder to the left and right stud using the M6 nuts and bolts.

## 6. ASSEMBLY



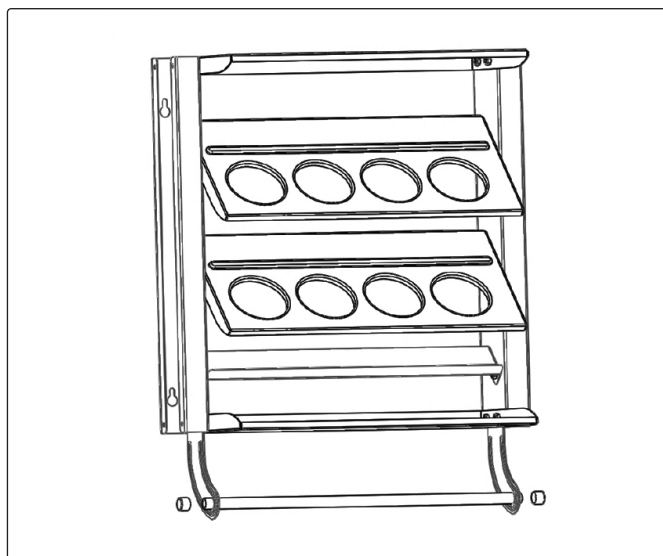
Step 3. Attach the bottom bottle holder to the left and right stud using the M6 nuts and bolts.



Step 4. Attach the support plate to the left and right stud using the M6 nuts and bolts.



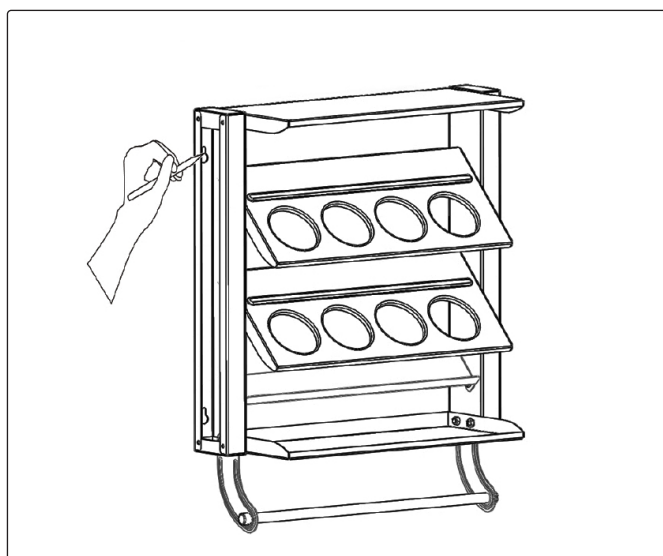
Step 5. Attach shelf and the connecting piece to the left and right stud using the M6 nuts and bolts.



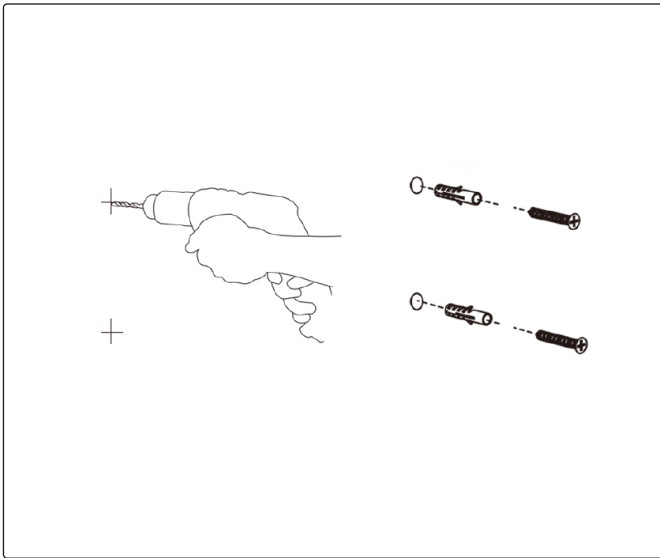
Step 6. Slide the paper towel holder through the connecting piece, then push the plastic end caps on to each end as shown in the illustration.



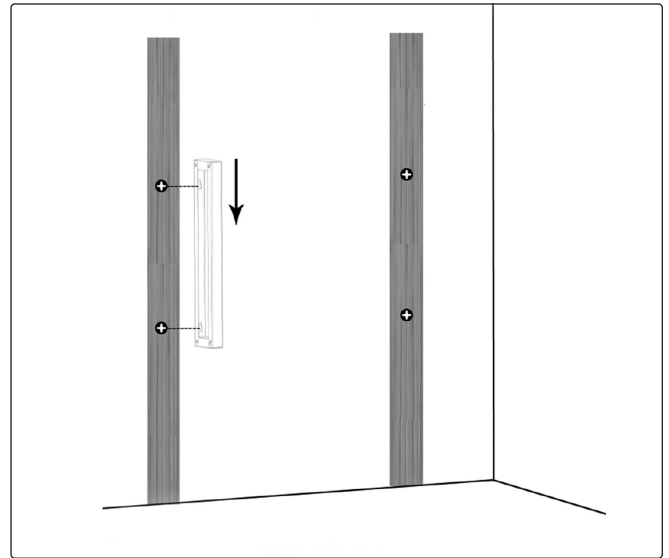
Step 7. Attach the four end caps to each stud as shown in the illustration.



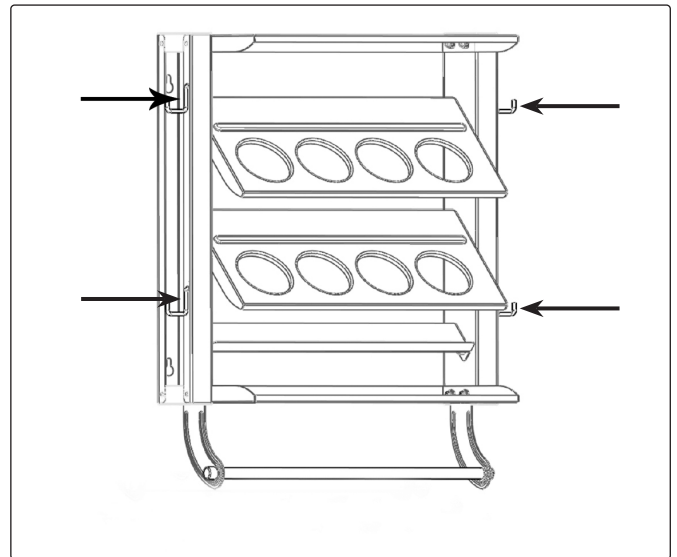
Step 8. Place spray can storage rack up against the wall. Use a spirit level to ensure it is level, using a pencil mark the wall as shown in the illustration.



Step 9. Drill the concrete or brick wall with an 8mm drill bit, insert the plastic anchor (wall plugs) into the drilled holes. Screw the M4.8\* 50.8mm mounting screws leaving a 5mm gap for hanging the spray can storage rack.



Step 10. Place the spray can storage rack onto the M4.8\* 50.8mm mounting screws, see above illustration. (Weight capacity 100lbs).



Step 11. Attach the mini hooks to either side as shown.



#### ENVIRONMENT PROTECTION

Recycle unwanted materials instead of disposing of them as waste. All tools, accessories and packaging should be sorted, taken to a recycling centre and disposed of in a manner which is compatible with the environment. When the product becomes completely unserviceable and requires disposal, drain any fluids (if applicable) into approved containers and dispose of the product and fluids according to local regulations.



REGISTER YOUR PURCHASE HERE

**NOTE:** It is our policy to continually improve products and as such we reserve the right to alter data, specifications and component parts without prior notice.

**IMPORTANT:** No Liability is accepted for incorrect use of this product.

**WARRANTY:** Guarantee is 12 months from purchase date, proof of which is required for any claim.

Sealey Group, Kempson Way, Suffolk Business Park, Bury St Edmunds, Suffolk. IP32 7AR



01284 757500



sales@sealey.co.uk



www.sealey.co.uk