



# 1360MM MODULAR 7 DRAWER FLOOR CABINET, 680MM 2 DOOR MODULAR WALL CABINET, 1360MM MODULAR WALL CABINET

MODEL NO: **APMS64, APMS65, APMS68**

Thank you for purchasing a Sealey product. Manufactured to a high standard, this product will, if used according to these instructions, and properly maintained, give you years of trouble free performance.

**IMPORTANT:** PLEASE READ THESE INSTRUCTIONS CAREFULLY. NOTE THE SAFE OPERATIONAL REQUIREMENTS, WARNINGS & CAUTIONS. USE THE PRODUCT CORRECTLY AND WITH CARE FOR THE PURPOSE FOR WHICH IT IS INTENDED. FAILURE TO DO SO MAY CAUSE DAMAGE AND/OR PERSONAL INJURY AND WILL INVALIDATE THE WARRANTY. KEEP THESE INSTRUCTIONS SAFE FOR FUTURE USE.



Refer to instructions



Wear protective gloves

## 1. SAFETY

- **WARNING!** Ensure Health & Safety, local authority, and general workshop practice regulations are adhered to when using this storage system.
- ✓ Locate in a suitable work area.
- ✓ Keep the work area clean, uncluttered and ensure there is adequate lighting.
- **WARNING!** Use storage on level and solid ground, preferably concrete.
- ✓ Keep the storage system clean and tidy in accordance with good workshop practice.
- ✓ Keep children and unauthorised persons away from the work area.
- × **DO NOT** use the storage system for any purpose other than that for which it is designed.
- × **DO NOT** use the storage system outdoors.
- × **DO NOT** place the storage system in a damp or wet location or an area where there is condensation.
- × **DO NOT** clean the storage system with any solvents which may damage the surfaces or the protective coating.
- × **DO NOT** move the storage system when there are items placed inside.
- × **DO NOT** step on the shelves.
- × **DO NOT** overload the storage system.

## 2. INTRODUCTION

### APMS64/APMS68

Modular storage system ideal for any garage or workshop. Durable construction that will last for years. Easily adjusts to specific needs. Purchase a simple base cabinet or create a full workshop storage system. All pieces are fully welded except Model No's APMS55 and APMS56 Floor Cabinets which require simple assembly.

### APMS65

For use with Model No's APMS51, APMS52, APMS57, APMS59, APMS64 Floor Cabinets. Supplied with appropriate fixings to make integral self-supporting unit, or use in conjunction with Model No. APMS50BP Back Panel and upright supports if part of a larger modular system. Two door cabinet with a high quality lock supplied with two keys. Aluminium handles.

## 3. SPECIFICATION

Model No:.....	<b>APMS64</b>
Overall Size: .....	1360 x 460 x 910mm
Small Draw (x5): .....	800 x 400 x 55mm
Medium Draw (x1):.....	800 x 400 x 135mm
Large Draw (x1):.....	1250 x 400 x 85mm
Cupboard: .....	510 x 620 x 420mm
Model No:.....	<b>APMS65</b>
Overall Size (W x D x H): .....	680 x 280 x 350mm
Model No:.....	<b>APMS68</b>
Overall Size: .....	1360 x 280 x 350mm

## 4. ASSEMBLY

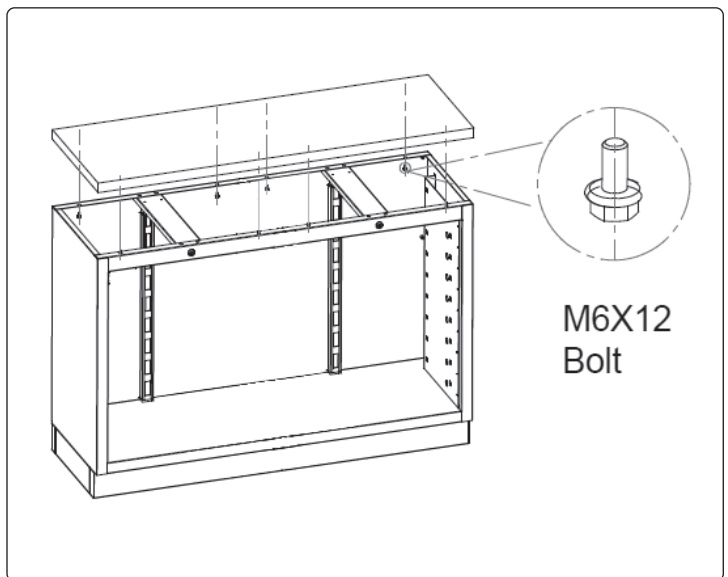
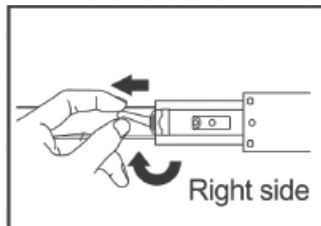
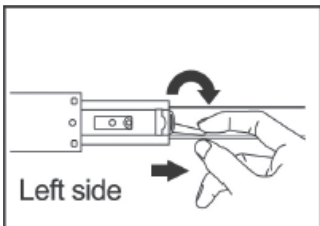
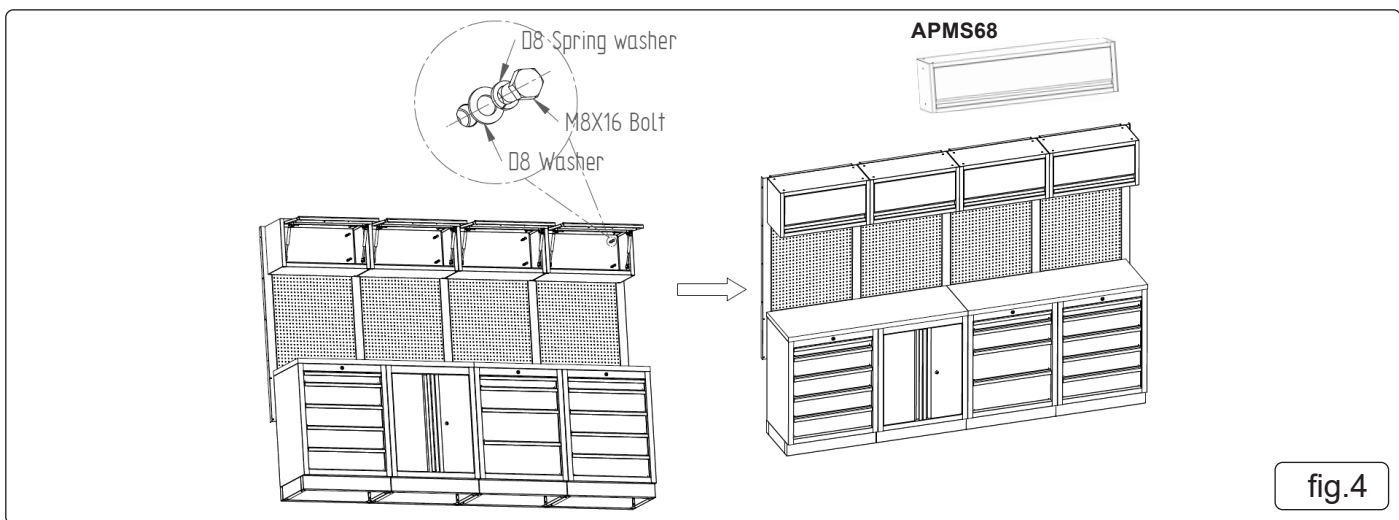
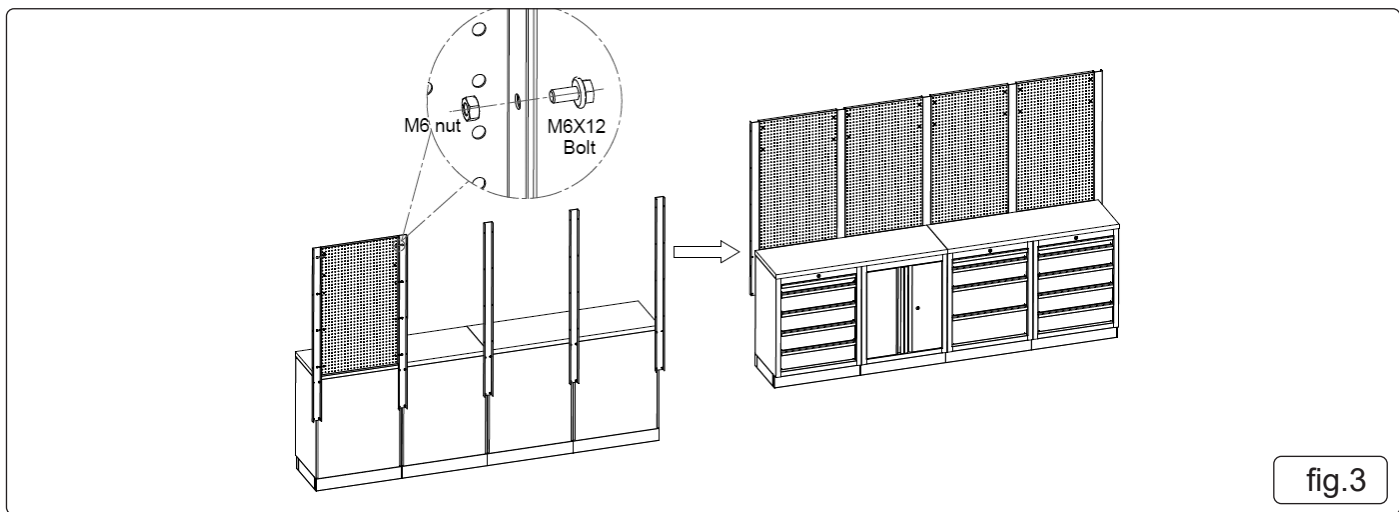
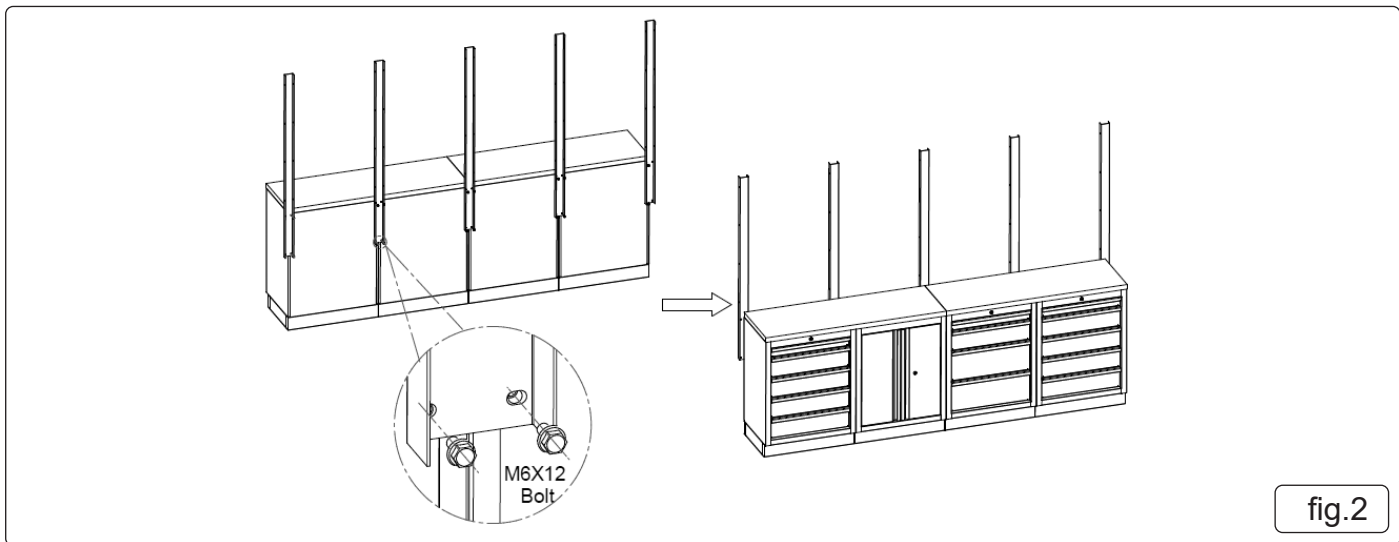


fig.1



**ENVIRONMENT PROTECTION**

Recycle unwanted materials instead of disposing of them as waste. All tools, accessories and packaging should be sorted, taken to a recycling centre and disposed of in a manner which is compatible with the environment. When the product becomes completely unserviceable and requires disposal, drain any fluids (if applicable) into approved containers and dispose of the product and fluids according to local regulations.

**Note:** It is our policy to continually improve products and as such we reserve the right to alter data, specifications and component parts without prior notice.

**Important:** No Liability is accepted for incorrect use of this product.

**Warranty:** Guarantee is 12 months from purchase date, proof of which is required for any claim.

Sealey Group, Kempson Way, Suffolk Business Park, Bury St Edmunds, Suffolk. IP32 7AR



01284 757500



01284 703534



sales@sealey.co.uk



www.sealey.co.uk