



680MM MODULAR REEL CABINET

MODEL NO: APMS63

Thank you for purchasing a Sealey product. Manufactured to a high standard, this product will, if used according to these instructions, and properly maintained, give you years of trouble free performance.

IMPORTANT: PLEASE READ THESE INSTRUCTIONS CAREFULLY. NOTE THE SAFE OPERATIONAL REQUIREMENTS, WARNINGS & CAUTIONS. USE THE PRODUCT CORRECTLY AND WITH CARE FOR THE PURPOSE FOR WHICH IT IS INTENDED. FAILURE TO DO SO MAY CAUSE DAMAGE AND/OR PERSONAL INJURY AND WILL INVALIDATE THE WARRANTY. KEEP THESE INSTRUCTIONS SAFE FOR FUTURE USE.



Refer to instruction manual



Wear protective gloves

1. SAFETY

- WARNING!** Ensure Health & Safety, local authority, and general workshop practice regulations are adhered to when using this
- ✓ Locate cabinet in a suitable work area.
- ✓ Keep the work area clean, uncluttered and ensure there is adequate lighting.
- WARNING!** Use cabinet on level and solid ground, preferably concrete.
- ✓ Keep the cabinet clean and tidy in accordance with good workshop practice.
- ✓ Keep children and unauthorised persons away from the work area.
- ✗ **DO NOT** use the cabinet for any purpose other than that for which it is designed.
- ✗ **DO NOT** use the cabinet outdoors.
- ✗ **DO NOT** place the cabinet in a damp or wet location or an area where there is condensation.
- ✗ **DO NOT** clean the cabinet with any solvents which may damage the surfaces or the protective coating.
- ✗ **DO NOT** move the cabinet when there are items placed inside.
- ✗ **DO NOT** step on the shelves.
- ✗ **DO NOT** overload the cabinet.



2. INTRODUCTION

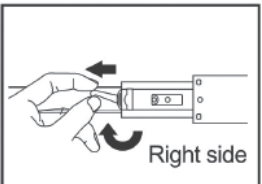
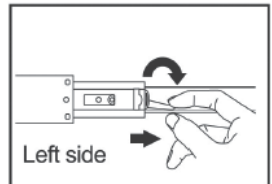
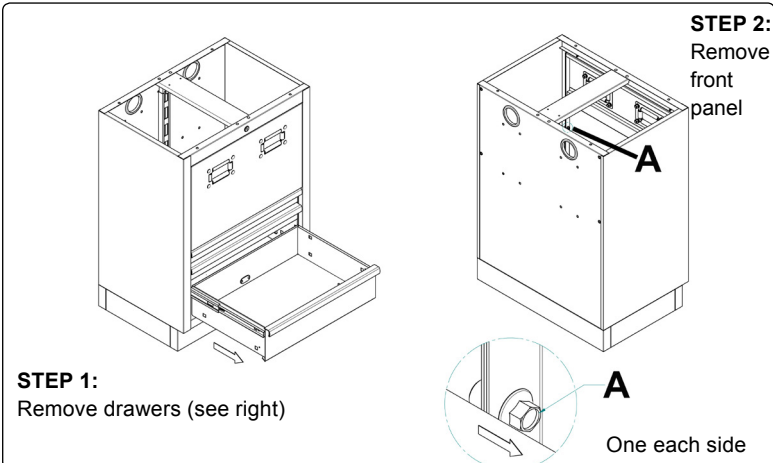
N.B. ILLUSTRATED WITH OPTIONAL WORKTOP - Don't forget to order your choice of pressed wood or stainless steel separately. Use as part of a complete garage storage system or as an individual storage unit. Solid reel cabinet for convenient and tidy use of cable reels and air hose reels. Aluminium handles. Option of stainless steel or pressed wood worktop. Suitable for use with Sealey Air Reel SA895 and cable reels CRM101 and CMR151.

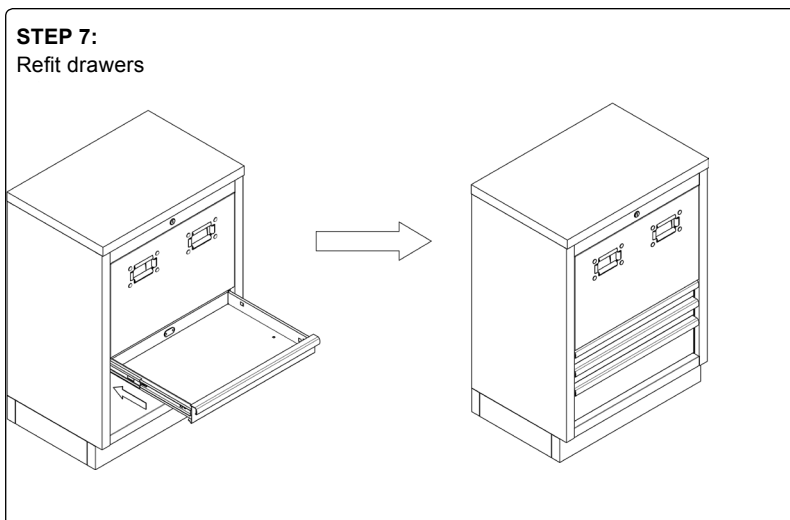
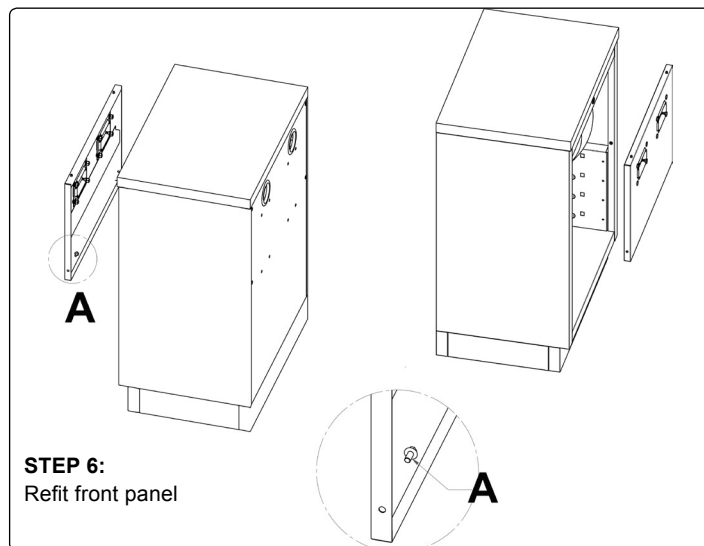
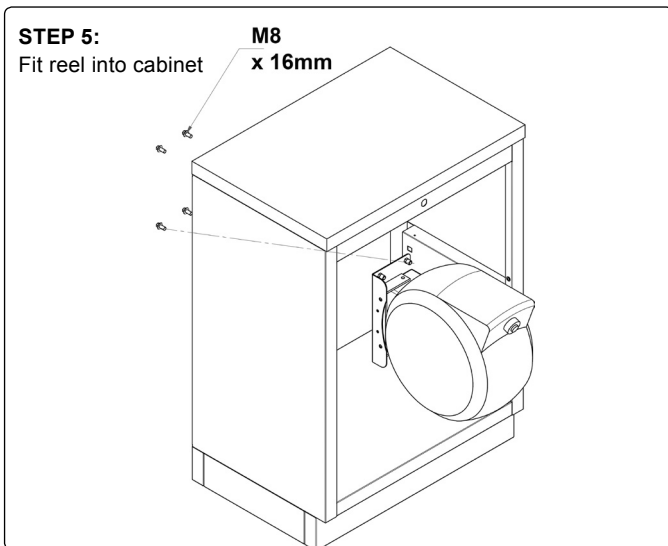
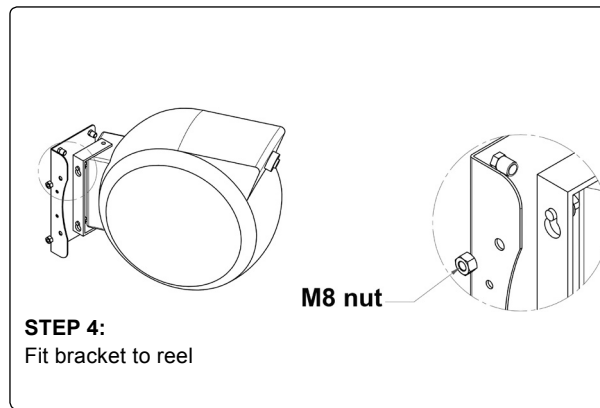
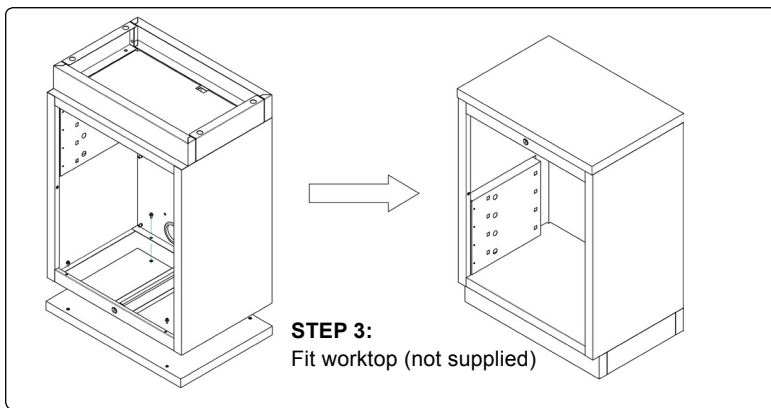
3. SPECIFICATION

Model no: APMS63
 Size (W x D x H): 680 x 460 x 910mm
 Small drawer (x2): 565 x 400 x 60mm
 Large drawer (x1): 565 x 400 x 135mm

Drawer weight capacity: 20kg

4. ASSEMBLY





ENVIRONMENT PROTECTION

Recycle unwanted materials instead of disposing of them as waste. All tools, accessories and packaging should be sorted, taken to a recycling centre and disposed of in a manner which is compatible with the environment. When the product becomes completely unserviceable and requires disposal, drain any fluids (if applicable) into approved containers and dispose of the product and fluids according to local regulations.

Note: It is our policy to continually improve products and as such we reserve the right to alter data, specifications and component parts without prior notice.

Important: No Liability is accepted for incorrect use of this product.

Warranty: Guarantee is 12 months from purchase date, proof of which is required for any claim.

Sealey Group, Kempson Way, Suffolk Business Park, Bury St Edmunds, Suffolk. IP32 7AR



01284 757500



01284 703534



sales@sealey.co.uk



www.sealey.co.uk