



# HEAVY-DUTY MODULAR RACKING UNIT WITH 4 MESH SHELVES - 300KG CAPACITY PER LEVEL

MODEL NO: **APMR1**

Thank you for purchasing a Sealey product. Manufactured to a high standard, this product will, if used according to these instructions, and properly maintained, give you years of trouble free performance.



**IMPORTANT:** PLEASE READ THESE INSTRUCTIONS CAREFULLY. NOTE THE SAFE OPERATIONAL REQUIREMENTS, WARNINGS & CAUTIONS. USE THE PRODUCT CORRECTLY AND WITH CARE FOR THE PURPOSE FOR WHICH IT IS INTENDED. FAILURE TO DO SO MAY CAUSE DAMAGE AND/OR PERSONAL INJURY AND WILL INVALIDATE THE WARRANTY. KEEP THESE INSTRUCTIONS SAFE FOR FUTURE USE.

## 1. SAFETY

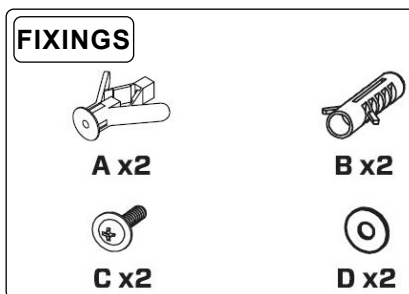
- ❑ **WARNING!** Serious injury or death can be caused by toppling furniture.
- ✓ To help prevent a tip-over, anchor this product to a wall or other suitable surface with the provided 'tip-over prevention kit'.
- ✓ Check anchors regularly.
- ✓ This product requires two people to assemble.
- ✓ Assemble the unit on a solid level surface. Avoid carpet.
- ✓ Wear protective gloves and eyewear when assembling this product.
- ✓ This product has been tested to safely carry a load of up to 1200kg even distributed, when properly installed and maintained.
- ✓ Heaviest items should be loaded on the lowest shelves.

## 2. INTRODUCTION

Textured powder coat steel frame with four heavy-duty powder coated steel mesh shelves. Industrial structured beams offers added strength with 300kg capacity per level, giving a maximum capacity of 1200kg per rack. Boltless design means no tools required to assemble. Specifically designed and sized drawer units and cupboards available to keep storage tidy, see model numbers APMB1, APMB2, APMB3, APMB4 and APMB5 (sold separately).

## 3. SPECIFICATION

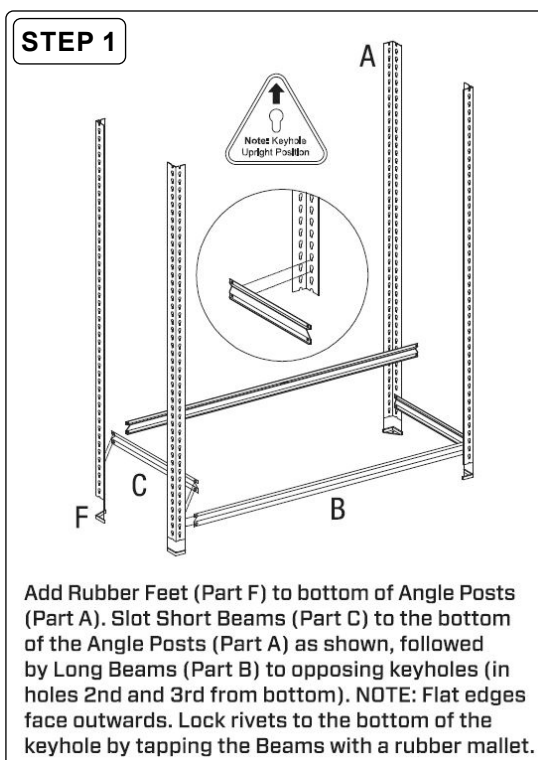
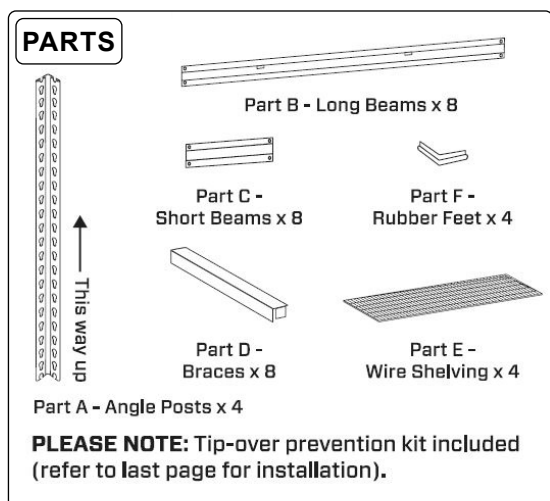
<b>MODEL NO:</b>	<b>APMR1</b>
Capacity:	1200kg
Overall Size (W x D x H):	1820 x 540 x 1830mm
Shelf Capacity:	300kg

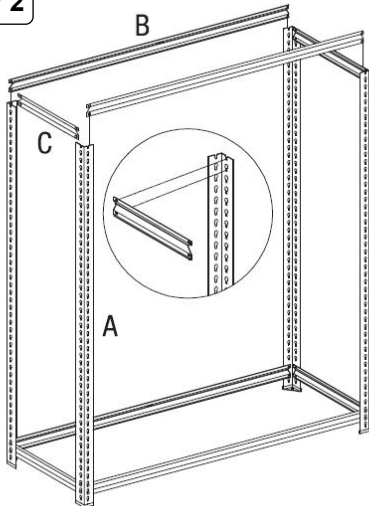


## 4. ASSEMBLY

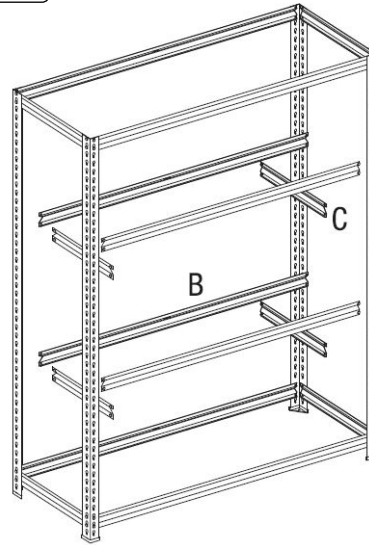
4.1. Unpack the unit and confirm that you have all the parts listed.

**NOTE:** for evenly spaced shelves (from bottom shelf): 14 free keyholes, 13 free keyholes, 13 free keyholes.

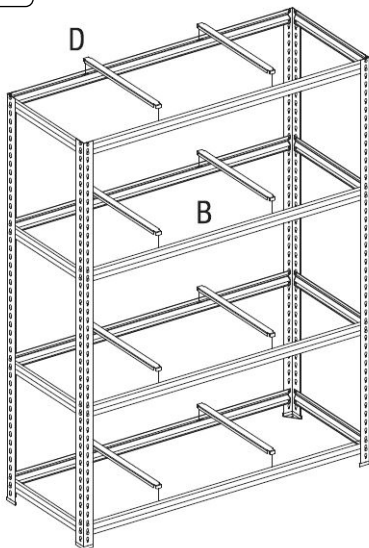


**STEP 2**

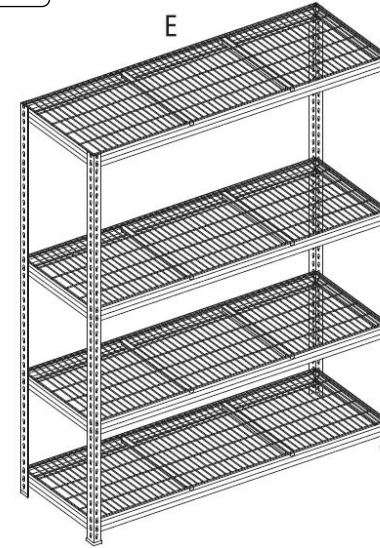
Fasten Short Beams (Part C) to the top of the Angle Posts (Part A) as shown, followed by Long Beams (Part B) to opposing keyholes to form the frame. **NOTE:** Flat edges face outwards. Lock rivets to the bottom of the keyhole by tapping the Beams with a Rubber Mallet.

**STEP 3**

Assemble remaining Short Beams (Part C) and Long Beams (Part B) to your desired shelf height. As before, lock rivets to the bottom of the keyhole by tapping the Beams with a rubber mallet.

**STEP 4**

Slot Braces (Part D) into position through the holes provided on the Long Beams (Part B).

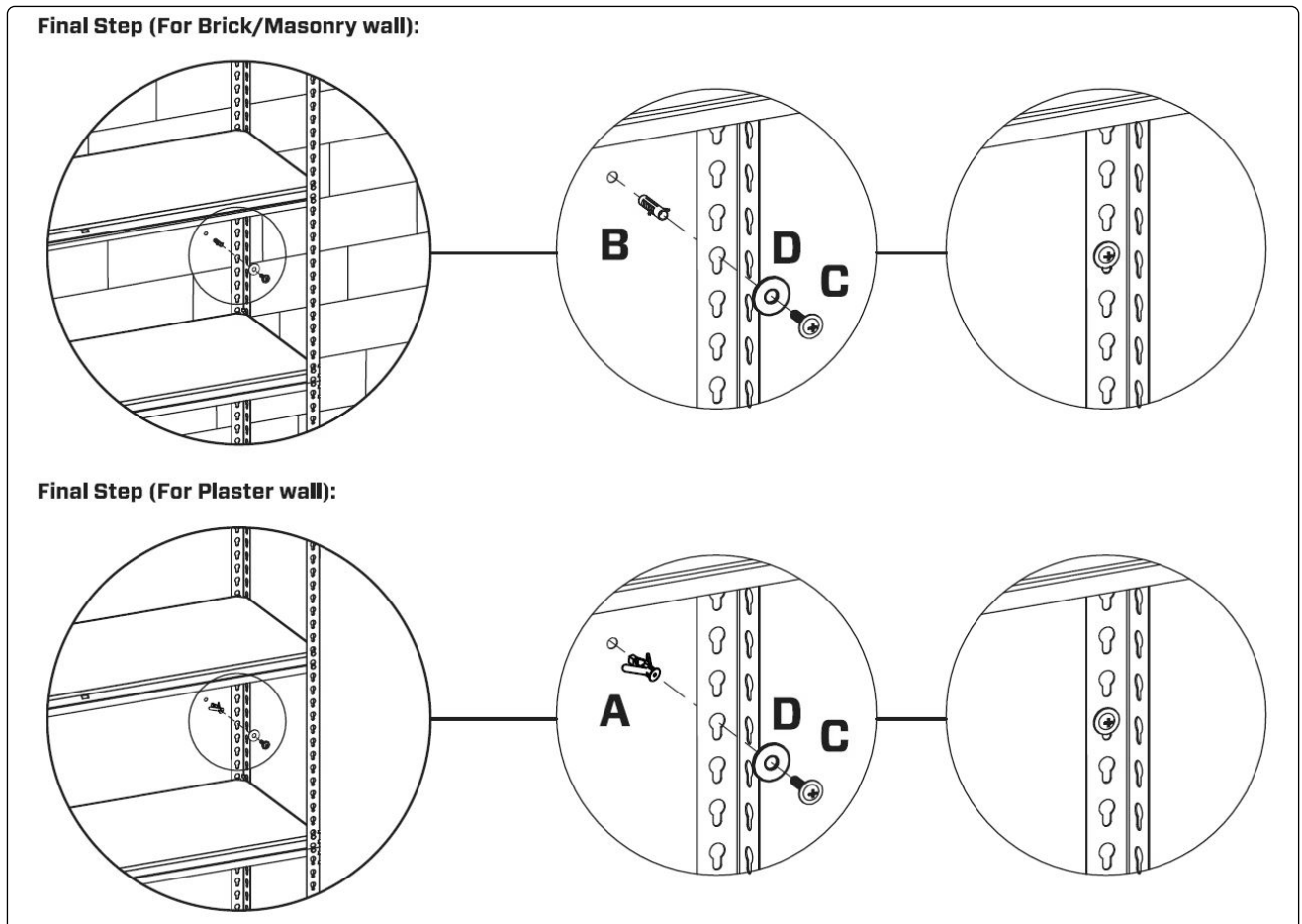
**STEP 5**

Lay the Wire Shelving (Part E) between the Beams as shown.

**PLEASE NOTE:** Refer to next page for attaching the provided Tip-over prevention kit.

## 5. TIP OVER PREVENTION

- ❑ **WARNING!** Toppling furniture can cause serious injuries and death. It is strongly recommended that you anchor this product. A 'tip-over prevention kit' has been provided with this product to stop your furniture from tipping forward. It is strongly recommended that you securely attach this product to a wall or other solid surface using the provided fixings.  
**IMPORTANT:** regularly check that anchors are securely maintained. Stability of tall items may be affected by thick pile carpet or uneven floors.  
**CAUTION:** For your safety when attaching the anchor fixings, please note the following:
  - ✓ Check for any electrical wires or plumbing inside the wall before drilling any holes. If you are unsure please seek professional advice from a qualified tradesperson.
  - ✓ Walls are constructed from different materials, for example, masonry (solid brick) or plasterboard lined cavity walls (hollow). It is important that you use the appropriate wall fixings for your wall type.



### ENVIRONMENT PROTECTION

Recycle unwanted materials instead of disposing of them as waste. All tools, accessories and packaging should be sorted, taken to a recycling centre and disposed of in a manner which is compatible with the environment. When the product becomes completely unserviceable and requires disposal, drain any fluids (if applicable) into approved containers and dispose of the product and fluids according to local regulations.



REGISTER YOUR PURCHASE HERE

**Note:** It is our policy to continually improve products and as such we reserve the right to alter data, specifications and component parts without prior notice.

**Important:** No Liability is accepted for incorrect use of this product.

**Warranty:** Guarantee is 12 months from purchase date, proof of which is required for any claim.

Sealey Group, Kempson Way, Suffolk Business Park, Bury St Edmunds, Suffolk. IP32 7AR



01284 757500



sales@sealey.co.uk



www.sealey.co.uk