



# INDUSTRIAL 3-LEVEL WORKSHOP TROLLEY

MODEL NO: API2103

Thank you for purchasing a Sealey product. Manufactured to a high standard, this product will, if used according to these instructions and maintained properly, give you years of trouble free performance.

**IMPORTANT:** PLEASE READ THESE INSTRUCTIONS CAREFULLY. NOTE THE SAFE OPERATIONAL REQUIREMENTS, WARNINGS & CAUTIONS. USE THE PRODUCT CORRECTLY AND WITH CARE FOR THE PURPOSE FOR WHICH IT IS INTENDED. FAILURE TO DO SO MAY CAUSE DAMAGE AND/OR PERSONAL INJURY AND WILL INVALIDATE THE WARRANTY. KEEP THESE INSTRUCTIONS SAFE FOR FUTURE USE.



Refer to instruction manual

## 1. SAFETY

- WARNING!** Ensure Health & Safety, local authority, and general workshop practice regulations are adhered to when using this trolley.
- ✓ Always load evenly with the centre of gravity of the load as near centre of the trolley as possible.
- ✗ **DO NOT** overload the trolley - see Specifications - section 3.
- ✓ Use the trolley in a suitable work area.
- ✓ Keep the work area clean, uncluttered and ensure there is adequate lighting.
- ✓ Keep the trolley clean and tidy in accordance with good workshop practice.
- ✗ **DO NOT** use the trolley for any purpose other than that for which it is designed.
- ✗ **DO NOT** stand on the trolley, use it as a ladder or allow others to ride on the trolley.
- ✓ Use the wheel locks to prevent the trolley from inadvertently moving.
- ✗ **DO NOT** leave unattended, especially when loaded, unless the wheels are locked, chocked or the trolley otherwise secured.
- ✗ **DO NOT** use trolley on uneven ground and do not run over curbs or steps - use a ramp.
- ✗ **DO NOT** use trolley if any part is significantly damaged, paying particular attention to the wheels.
- ✓ Keep children and unauthorised persons away from the work area.

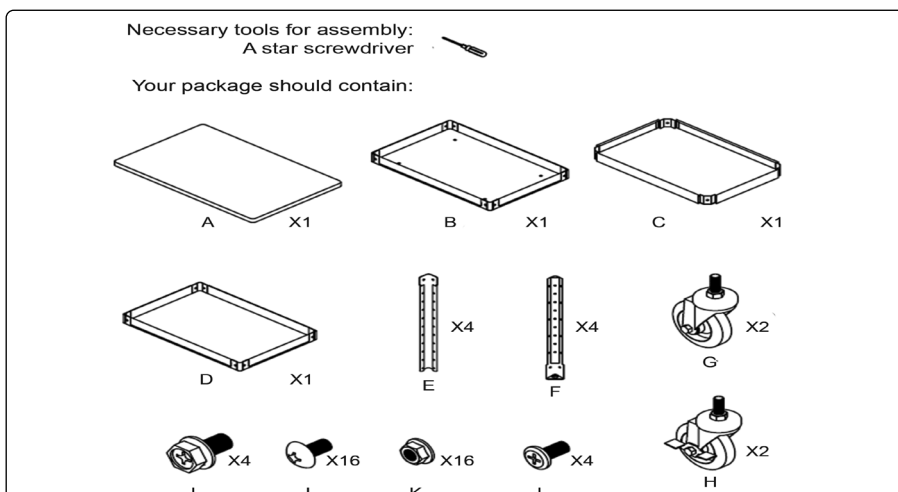
## 2. INTRODUCTION

Industrial quality workshop trolley, ideal for use in any garage or workshop environment. Two deep-walled shelves give tool and component security. Adjustable legs on trolley allow the user to set at their desired height. Worktop is installed by placing the top shelf base up, creating a sturdy work surface. Optionally, install the top shelf base down to allow extra storage. Features four swivel castors, two of which have toe locks.

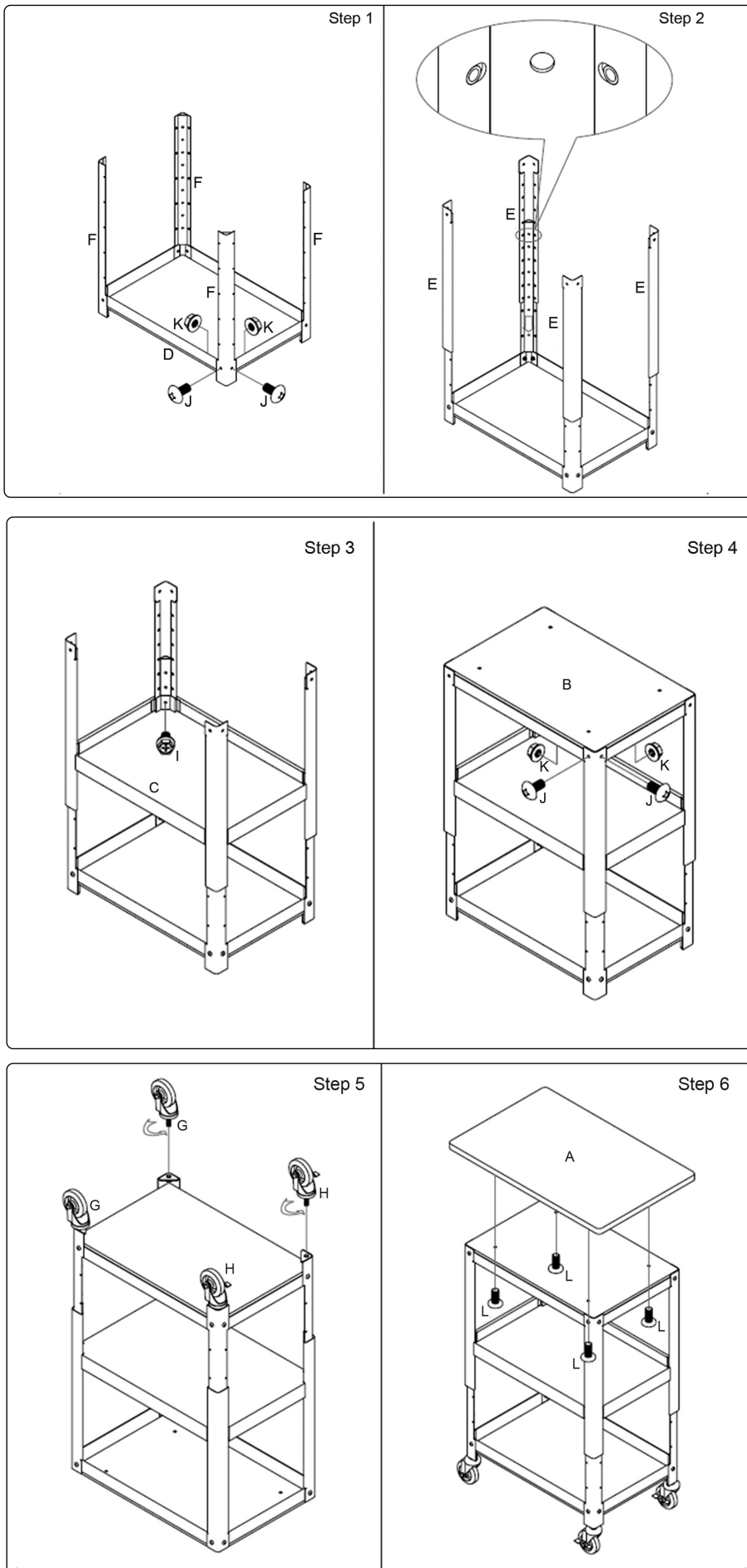
## 3. SPECIFICATION

Model No:	API2103
Capacity:	240kg (80kg/level)
Nett Weight:	28.04kg
Overall Size (W x D x H):	750 x 445 x 940mm
Shelf Size (W x D x H):	640 x 405 x 45mm
Worktop Size (W x D x H):	750 x 445 x 30mm

## 4. CONTENTS



## 4. ASSEMBLY



Parts support is available for this product. To obtain a parts listing, email [sales@sealey.co.uk](mailto:sales@sealey.co.uk) or telephone 01284 757500



**ENVIRONMENT PROTECTION**

Recycle unwanted materials instead of disposing of them as waste. All tools, accessories and packaging should be sorted, taken to a recycling centre and disposed of in a manner which is compatible with the environment. When the product becomes completely unserviceable and requires disposal, drain any fluids (if applicable) into approved containers and dispose of the product and fluids according to local regulations.

**Note:** It is our policy to continually improve products and as such we reserve the right to alter data, specifications and component parts without prior notice.

**Important:** No Liability is accepted for incorrect use of this product.

**Warranty:** Guarantee is 120 months from purchase date, proof of which is required for any claim.



REGISTER YOUR PURCHASE HERE

**Sealey Group, Kempson Way, Suffolk Business Park, Bury St Edmunds, Suffolk. IP32 7AR**



**01284 757500**



**[sales@sealey.co.uk](mailto:sales@sealey.co.uk)**



**[www.sealey.co.uk](http://www.sealey.co.uk)**