



# MULTI-PURPOSE STORAGE KIT

MODEL NO'S: APHKIT1 4PC, APHKIT2 10PC, APH01

Thank you for purchasing a Sealey product. Manufactured to a high standard, this product will, if used according to these instructions, and properly maintained, give you years of trouble free performance.

**IMPORTANT:** PLEASE READ THESE INSTRUCTIONS CAREFULLY. NOTE THE SAFE OPERATIONAL REQUIREMENTS, WARNINGS & CAUTIONS. USE THE PRODUCT CORRECTLY AND WITH CARE FOR THE PURPOSE FOR WHICH IT IS INTENDED. FAILURE TO DO SO MAY CAUSE DAMAGE AND/OR PERSONAL INJURY AND WILL INVALIDATE THE WARRANTY. KEEP THESE INSTRUCTIONS SAFE FOR FUTURE USE.



Refer to instruction manual



Wear eye protection (during assembly)

## 1. SAFETY

- ✓ Carefully choose location to minimise the risk of injury.
- ✗ **DO NOT** overload.
- ✓ Be aware of existing plumbing and electrical cables before fixing to the wall.

## 2. INTRODUCTION

**APHKIT1:** 4-piece multipurpose steel hook storage kit. Contains wall mountable hook rail with predrilled mounting holes and 3 x multipurpose hooks. Ideal for use in a garage, shed or around the home as a space saving tool. Powder coated to prevent oxidisation. PVC Wrapped to avoid damage to tools and equipment. Easy to install and easy to relocate. 1 x dual utility hook, 1 x double prong hook and 1 x large J hook. Each hook holds up to 20kg. Overall maximum load 110kg. Overall width of hook rail is 610mm. Fixings not included.

**APHKIT2:** 10-piece ultimate multipurpose steel hook storage kit. Contains 3 x wall mountable hook rails and 7 x multipurpose hooks. Ideal for use in a garage, shed or around the home as a space saving tool. Powder coated to prevent oxidisation. PVC Wrapped to avoid damage to tools and equipment. Easy to install and easy to relocate. 1 x Double S hook, 2 x single hooks, 2 x double prong hooks and 2 x large J hooks. Each hook holds up to 20kg. Overall maximum load on single hook rail 110kg. Overall width of single hook rail is 610mm. Fixings not included.

**APH01:** Wall mountable steel hook storage base rail. For use in conjunction with multipurpose hooks, ideal for use in a garage, shed or around the home as a space saving tool. With predrilled mounting holes for easy installation and relocation. Fixings not included. Overall maximum load of single base rail 110kg. Dimensions (W x D x H) 610 x 18 x 100mm.

## 3. SPECIFICATION

APHKIT1 dimensions (W x D x H):

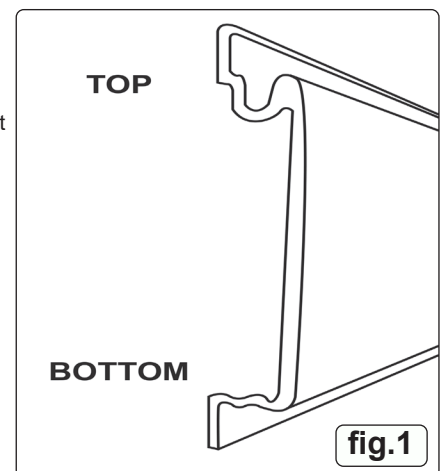
Hook rail.....	610 x 18 x 100mm
Dual utility hook .....	80 x 265 x 115mm
Double prong hook.....	75 x 220 x 90mm
Large J hook .....	75 x 205 x 195mm
Fixing hole diameter.....	4.7mm

APHKIT2 dimensions (W x D x H):

Hook rails (x3).....	610 x 18 x 100mm
Double S hook .....	220 x 40 x 195mm
Double prong hook (x2).....	75 x 205 x 195mm
Large J hook (x2).....	75 x 205 x 195mm
Single hook (x2).....	40 x 140 x 90mm
Fixing hole diameter.....	4.7mm

## 4. INSTALLATION

- 4.1. Mark out a horizontal line using a spirit level at the desired height, on the wall.
- 4.2. Make sure the rail is the correct way up, refer to fig.1.
- 4.3. Place the bottom of the rail along the marked line.
- 4.4. Mark the positions of the holes to be drilled. Drill the holes after making a risk assessment of the drilling operation and positioning of the rail.
- 4.5. Fasten the rail into position.  
**NOTE:** When fastening into any surface ensure that appropriate fasteners are used.
- 4.6. Repeat process for other rail (if applicable.)
- 4.7. Fit hooks as applicable by hanging over the top edge and pull hook down to locate into bottom edge.  
**NOTE:** Ensure the white pads are located in the bottom of each hook before they are fitted.
- 4.8. Remove hooks by lifting upwards.



## 5. MAINTENANCE

- 5.1. Use a damp, soapy cloth to clean. **DO NOT** use solvents.



#### ENVIRONMENT PROTECTION

Recycle unwanted materials instead of disposing of them as waste. All tools, accessories and packaging should be sorted, taken to a recycling centre and disposed of in a manner which is compatible with the environment. When the product becomes completely unserviceable and requires disposal, drain any fluids (if applicable) into approved containers and dispose of the product and fluids according to local regulations.

**Note:** It is our policy to continually improve products and as such we reserve the right to alter data, specifications and component parts without prior notice.

**Important:** No Liability is accepted for incorrect use of this product.

**Warranty:** Guarantee is 12 months from purchase date, proof of which is required for any claim.

Sealey Group, Kempson Way, Suffolk Business Park, Bury St Edmunds, Suffolk. IP32 7AR



01284 757500



01284 703534



sales@sealey.co.uk



www.sealey.co.uk