



4-TIER SHELVING UNIT WITH CUPBOARD AND DRAWER 150KG CAPACITY PER LEVEL

MODEL NO: **AP830R**

Thank you for purchasing a Sealey product. Manufactured to a high standard, this product will, if used according to these instructions, and properly maintained, give you years of trouble free performance.



IMPORTANT: PLEASE READ THESE INSTRUCTIONS CAREFULLY. NOTE THE SAFE OPERATIONAL REQUIREMENTS, WARNINGS & CAUTIONS. USE THE PRODUCT CORRECTLY AND WITH CARE FOR THE PURPOSE FOR WHICH IT IS INTENDED. FAILURE TO DO SO MAY CAUSE DAMAGE AND/OR PERSONAL INJURY AND WILL INVALIDATE THE WARRANTY. KEEP THESE INSTRUCTIONS SAFE FOR FUTURE USE.






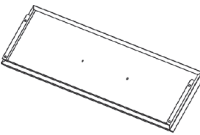
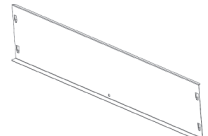
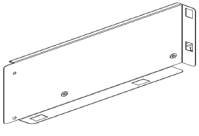
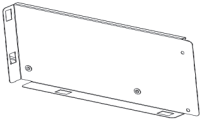

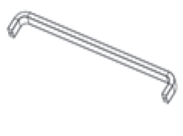
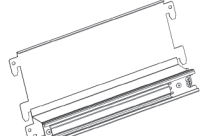
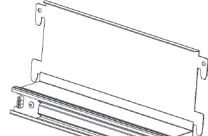
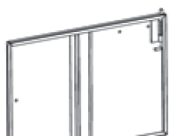
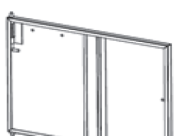


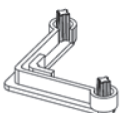
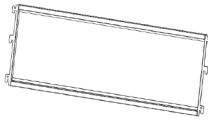





1. SAFETY

- ❑ **WARNING!** Ensure Health & Safety, and local authority regulations are adhered to when assembling and using these shelves.
- ✓ Locate shelves in a suitable area where they will not be an obstruction.
- ✓ Keep the general area clean, uncluttered and ensure there is adequate lighting.
- ❑ **WARNING!** Erect shelves on a level and solid surface such as concrete.
- ✓ Keep children and unauthorised persons away from the storage area.
- ✗ **DO NOT** use the shelves for any purpose other than that for which they are designed.
- ✗ **DO NOT** site the shelves out of doors.
- ✗ **DO NOT** get the shelves wet or use in damp or wet locations or areas where there is condensation.
- ✗ **DO NOT** clean the shelf supports with any solvents which may damage the coated surface.
- ✓ Ensure that the shelves are properly assembled before loading them with any items.
- ✓ Where possible the unit should be fixed to the wall with suitable fixings
- ✓ Place heavier items on the lower shelves.
- ✓ Where possible heavier items should be evenly distributed across the shelves.

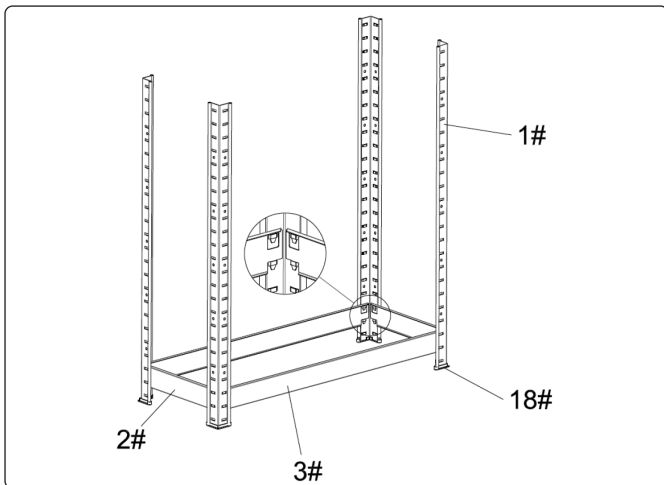
2. INTRODUCTION

Fully painted steel frame with four MDF shelves. 150kg Capacity per level giving a maximum capacity of 600kg per rack plus an additional 15kg capacity in the drawer. Minimal fixings for easy assembly. Built-in double door cupboard and drawer to keep storage tidy. Nett Weight: 22.5kg. Overall Size (W x D x H): 825 x 325 x 1805mm

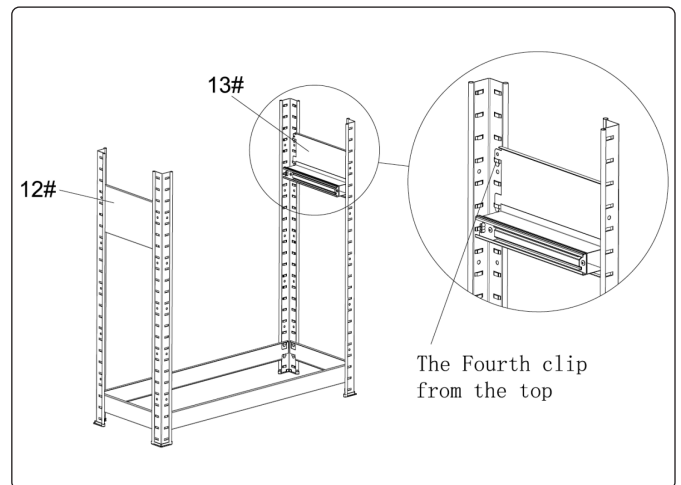
3. COMPONENTS

 1. Upright	 2. Short beam	 3. Long beam	 4. MDF	 5. Connector	 6. Drawer front panel
 7. Drawer pack panel	 8. Left drawer side panel	 9. Right drawer side panel	 10. Drawer bottom	 11. Drawer handle	 12. Left side panel
 13. Right side panel	 14. Left door	 15. Right door	 16. Back panel	 17. Side panel	 18. Plastic floor protector
 19. Door frame	 20. Sealey badge	 21. American Pro badge	 22. Handle	 23. Bolt M4*8	 24. Nut M4

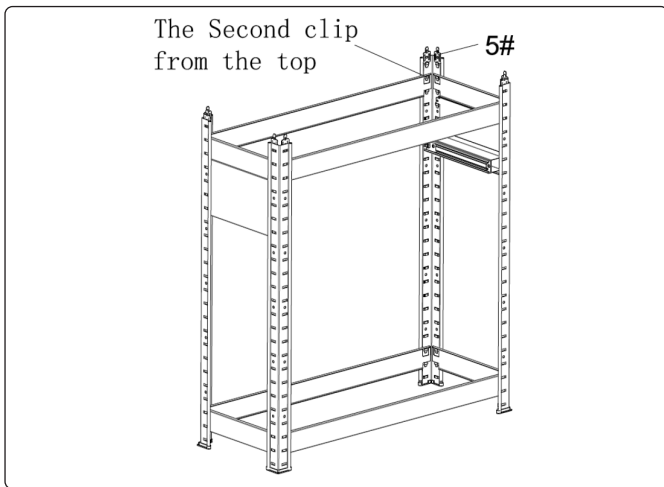
4. ASSEMBLY



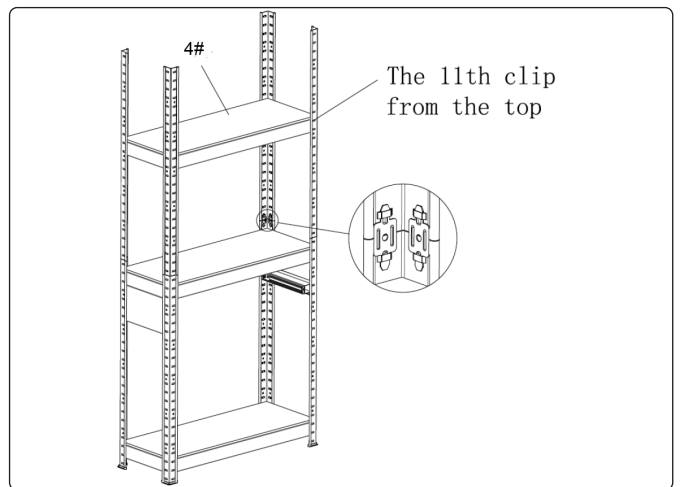
1. Assemble the first layer shelf as shown



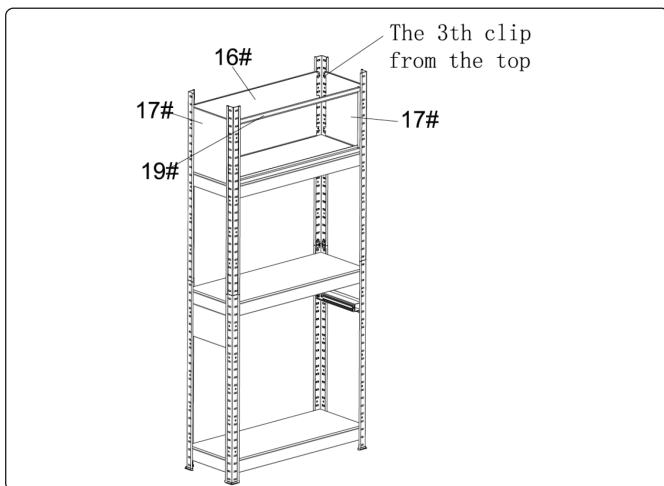
2. Assemble the left and right side panel.



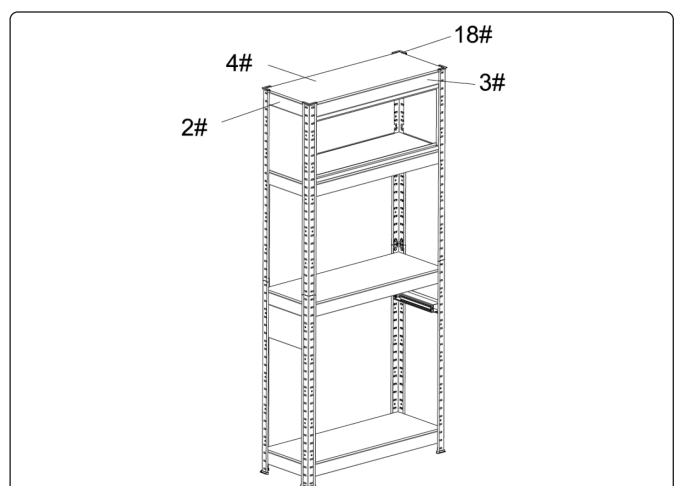
3. Assemble the second layer shelf and connectors.



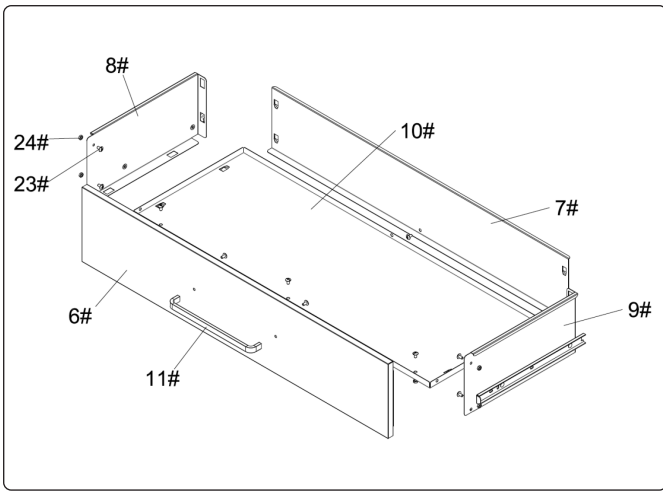
4. Assemble the third layer shelf.



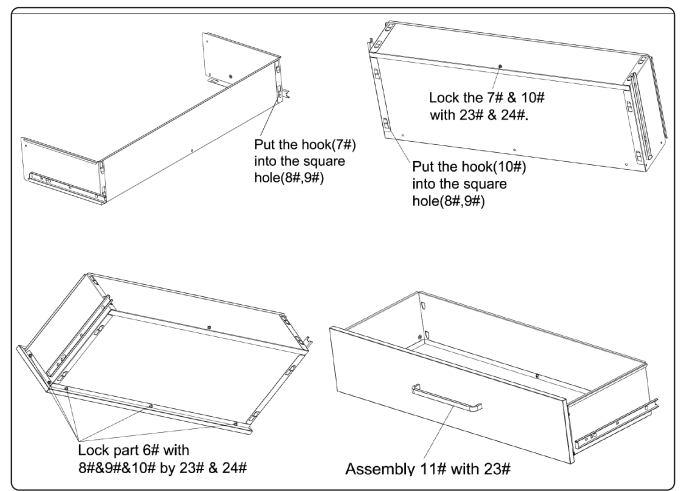
5. Assemble cabinet side panels 17#, cabinet back panel 16#, door frame part 19# as shown.



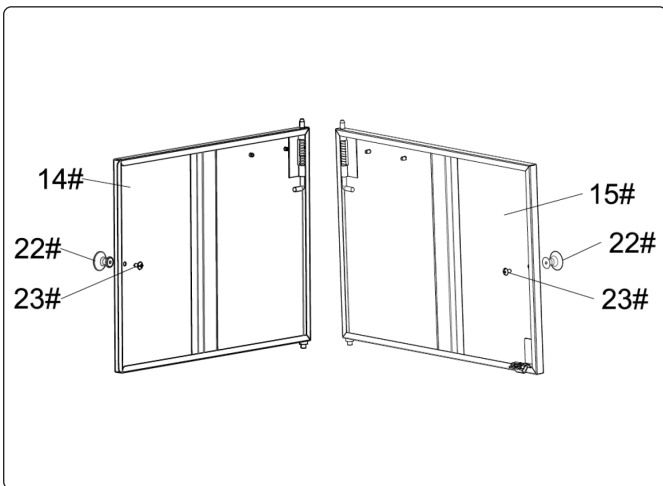
6. Assemble the top layer.



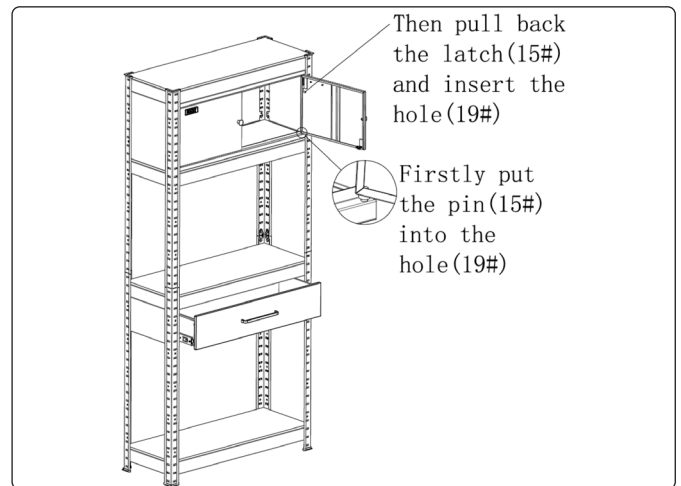
7. Assemble the drawer.



8. Drawer assembly continued.



8. Assemble the door handles.



9. Assemble the door and drawer assemblies.



10. Assembly complete.



ENVIRONMENT PROTECTION

Recycle unwanted materials instead of disposing of them as waste. All tools, accessories and packaging should be sorted, taken to a recycling centre and disposed of in a manner which is compatible with the environment. When the product becomes completely unserviceable and requires disposal, drain any fluids (if applicable) into approved containers and dispose of the product and fluids according to local regulations.



Note: It is our policy to continually improve products and as such we reserve the right to alter data, specifications and component parts without prior notice.

Important: No Liability is accepted for incorrect use of this product.

Warranty: Guarantee is 24 months from purchase date, proof of which is required for any claim.

Sealey Group, Kempson Way, Suffolk Business Park, Bury St Edmunds, Suffolk. IP32 7AR



01284 757500



sales@sealey.co.uk



www.sealey.co.uk