



INSTRUCTIONS FOR:

RACKING UNIT WITH 5 SHELVES 600KG CAPACITY PER SHELF

MODEL: **AP6548**

Thank you for purchasing a Sealey product. Manufactured to a high standard this product will, if used according to these instructions and properly maintained, give you years of trouble free performance.

IMPORTANT: PLEASE READ THESE INSTRUCTIONS CAREFULLY. NOTE THE SAFE OPERATIONAL REQUIREMENTS, WARNINGS & CAUTIONS. USE THE PRODUCT CORRECTLY AND WITH CARE FOR THE PURPOSE FOR WHICH IT IS INTENDED. FAILURE TO DO SO MAY CAUSE DAMAGE OR PERSONAL INJURY, AND WILL INVALIDATE THE WARRANTY. PLEASE KEEP INSTRUCTIONS SAFE FOR FUTURE USE.

1. SAFETY INSTRUCTIONS

1.1 GENERAL SAFETY

- ❑ **WARNING!** Ensure Health & Safety, and local authority regulations are adhered to when assembling and using these shelves.
- ✓ Locate shelves in a suitable area where they will not be an obstruction.
- ✓ Keep the general area clean, uncluttered and ensure there is adequate lighting.
- ❑ **WARNING!** Erect shelves on a level and solid surface such as concrete.
- ✓ Keep children and unauthorised persons away from the storage area.
- ✗ **DO NOT** use the shelves for any purpose other than that for which they are designed.
- ✗ **DO NOT** site the shelves out of doors.
- ✗ **DO NOT** get the shelves wet or use in damp or wet locations or areas where there is condensation.
- ✗ **DO NOT** clean the shelf supports with any solvents which may damage the coated surface.
- ✓ Ensure that the shelves are properly assembled before loading them with heavy items.
- ✓ Maximum load for each shelf is 600kg.
- ✓ Where possible the unit should be fixed to the wall with suitable fixings
- ✓ Place heavier items on the lower shelves.
- ✓ Where possible heavier items should be evenly distributed across the shelves.

2. INTRODUCTION

Fully painted steel frame with five MDF shelves. Z Shape beams offers added strength with 600kg capacity per level, giving a maximum capacity of 3000kg per rack. Boltless design means no tools required to assemble. Clips together in minutes. Used as a single bay full height rack (Fig.1) or split into two separate half height storage stations (Fig.2).

Height: 1830mm Width: 1215mm Depth: 460mm

Fig.1

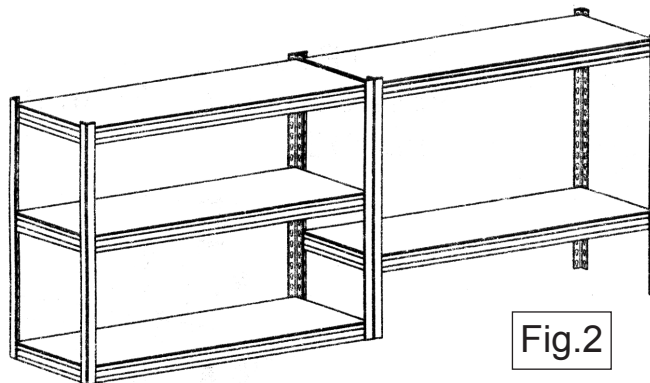
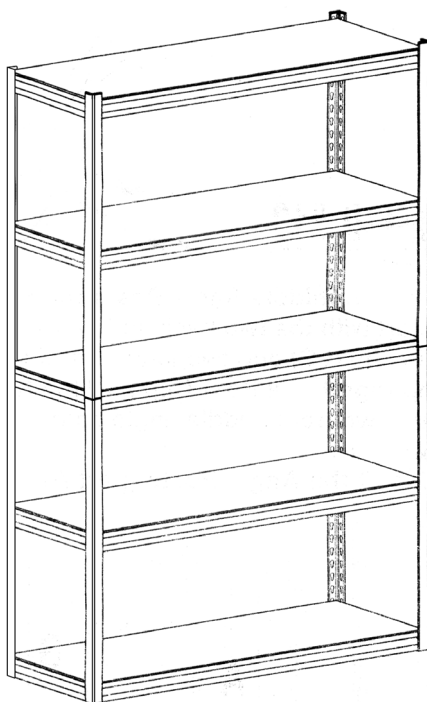
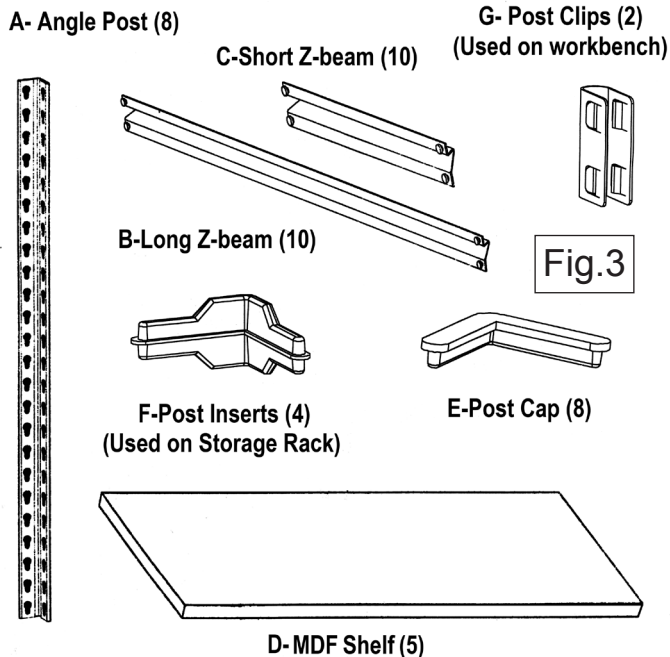


Fig.2

3. CONTENTS

Carefully unpack the product and check the contents as detailed in Fig.3. Should any items be missing or damaged contact your Sealey stockist.



4. ASSEMBLY

- 4.1 We recommend that this shelving unit be assembled by two people. To aid assembly use a rubber mallet or a hammer and a piece of wood. Do not use a hard faced hammer directly on the 'Z' beams as this will damage their surface finish. Make sure that all the 'Z' beams are fully interlocked with the angle posts before using the unit. (The rivets on the 'Z' beams must seat at the bottom of the keyhole slots). Do not use any parts that are damaged and/or distorted as these may assemble incorrectly and result in an installation that is unsafe and which may cause injury or damage when the shelves are loaded.

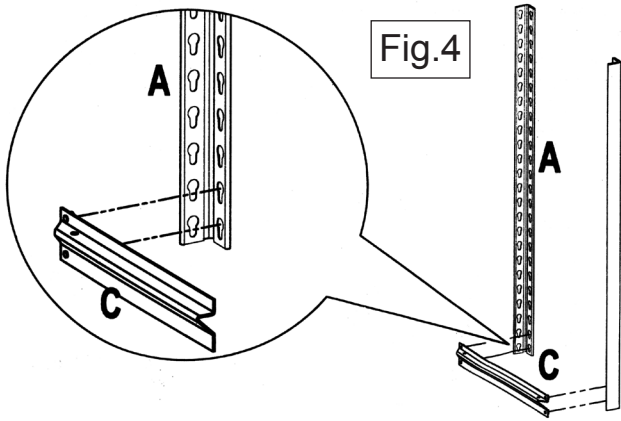


Fig.4

4.2 See Fig.4. Support two upright angle posts (A) in a vertical position ensuring that the keyhole slots are pointing downwards. Join them together at the base using a short 'Z' beam (C) ensuring that the shelf support is facing upwards. Tap the beam at either end, close to each angle post with a rubber mallet to ensure that the rivets are seated at the bottom of the keyhole slots.

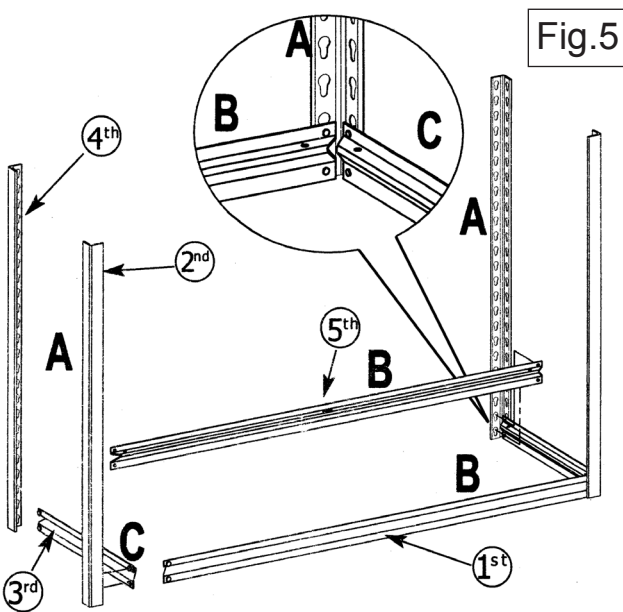


Fig.5

4.3 See Fig.5. Continue to assemble the complete bottom frame in the order indicated above in Fig.5 starting with a long 'Z' beam (B). Ensure that each 'Z' beam is facing upwards. Tap the beam at either end, close to each angle post with a rubber mallet to ensure that the rivets are seated at the bottom of the keyhole slots.

4.4 See Fig.6. Now make up an upper end frame by connecting two angle posts together at the top with a short 'Z' beam (C). Tap the beam at either end to ensure that the rivets are properly seated at the bottom of the keyhole slots. Make up a second upper end frame using the remaining two angle posts and a short 'Z' beam.

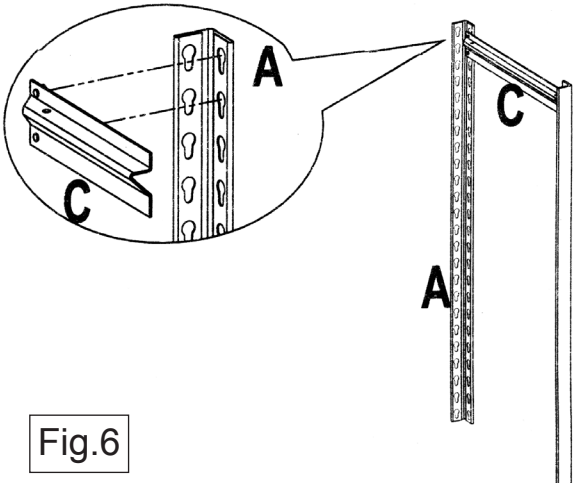


Fig.6

4.5 See Fig.7. Take the 4 post inserts (F) and push them into the top of the four angle posts of the bottom frame assembly. Now join the two upper end frames to the bottom frame by mounting each frame onto the post inserts as shown below.

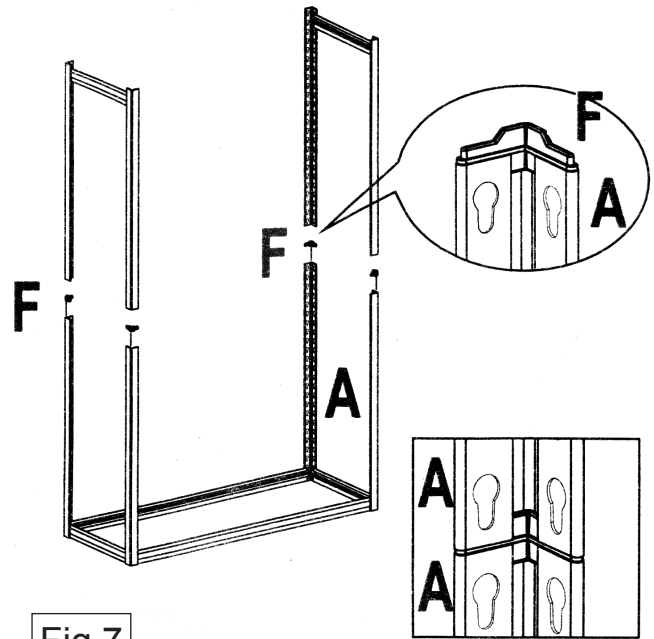


Fig.7

4.6 See Fig.8. Now stabilise the frame assembly by building a shelf support halfway up the frame that joins together the upper and lower parts of the frame. As each 'Z' beam is added ensure that the top rivets are inserted into the bottom keyholes of the upper frame and the lower rivets are inserted into the top keyholes of the bottom frame as shown below. Tap the beams at either end with a rubber mallet to ensure that the rivets are properly seated into the keyholes.

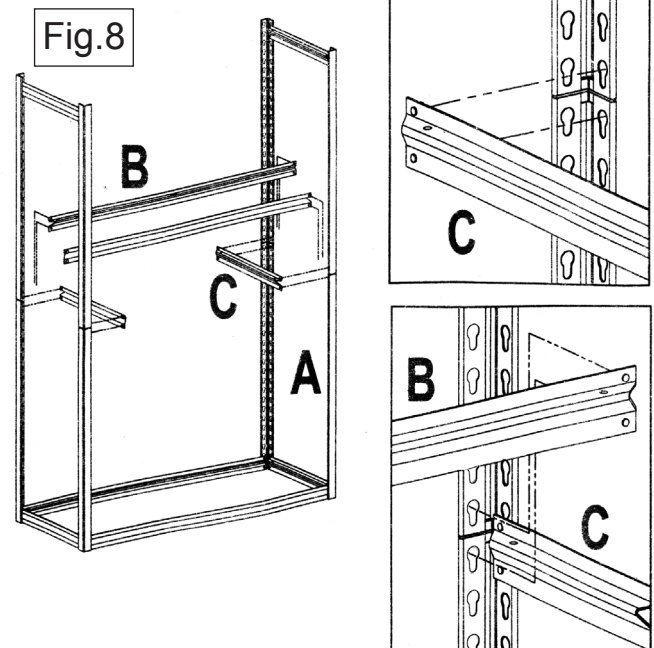
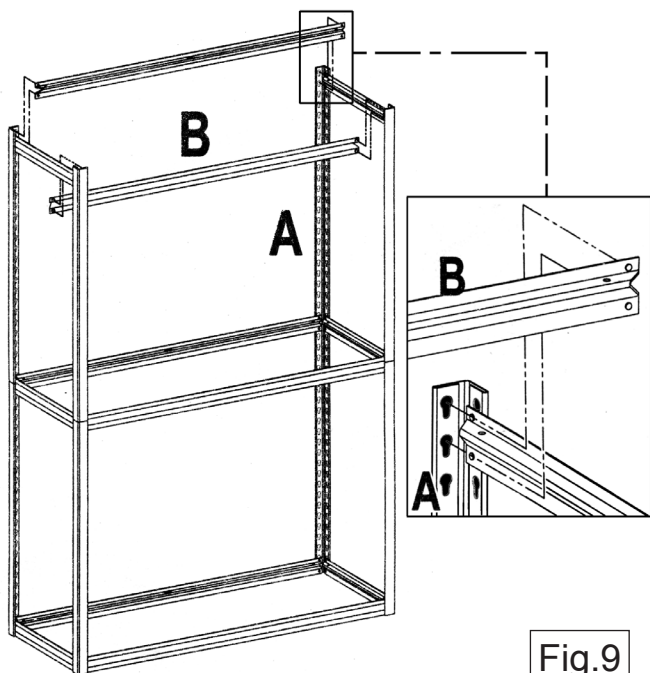
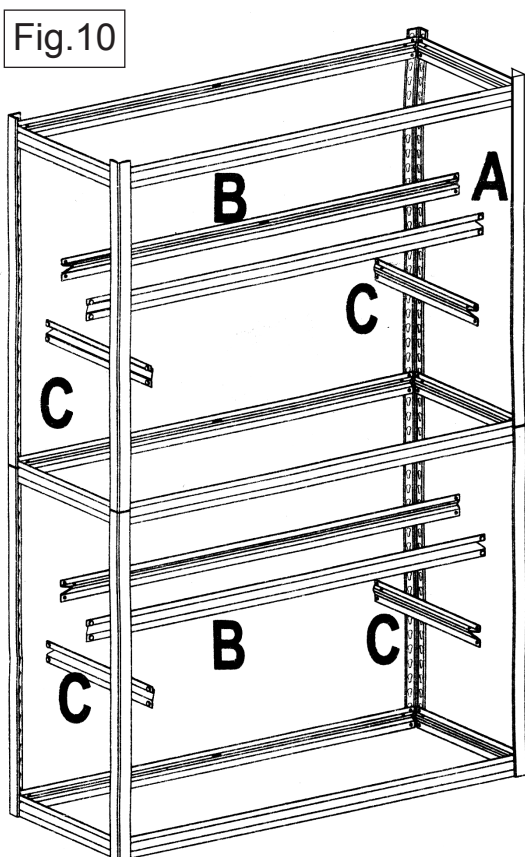


Fig.8

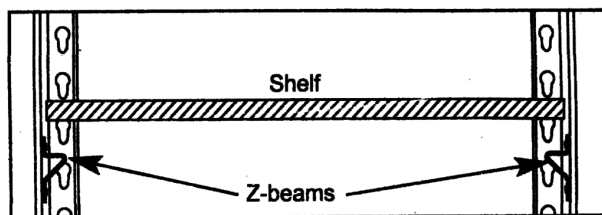
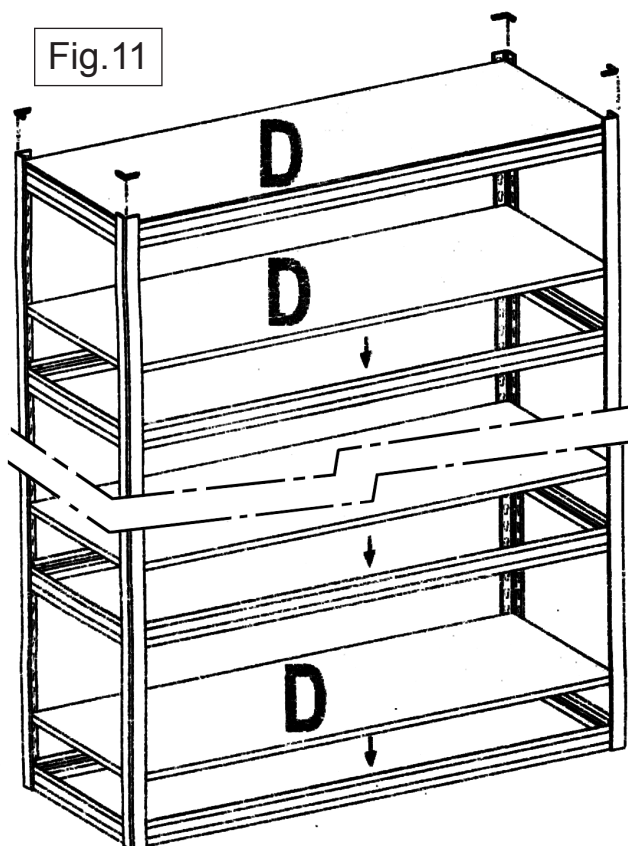
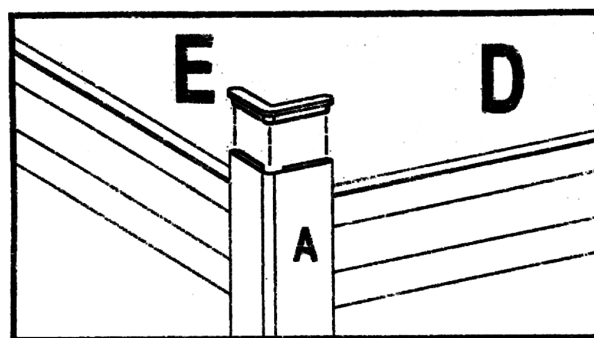
4.7 See Fig.9. Now stabilise the top part of the frame by adding two long 'Z' beams (B) to make a shelf support at the top of the frame as shown in Fig.9. Ensure that the beams are the right way up with the shelf support at the top. Tap the beams at either end with a rubber mallet to ensure that the rivets are properly seated into the keyholes.



4.8 See Fig.10. Build one shelf support in the top half of the frame and one shelf support in the bottom half of the frame at the heights required. (The keyholes allow adjustment in 1 1/2" increments). Ensure that the beams are the right way up with the shelf support at the top. Tap the beams at either end with a rubber mallet to ensure that the rivets are properly seated into the keyholes.



4.9 See Fig.11. Insert a post cap (E) into the top of each angle post 'A' as shown below. Lay a shelf 'D' in between the 'Z' beams at each level created (See lower detail in Fig.11).



SPARE PARTS LISTING FOR AP6548	
DESCRIPTION	PART NO:
LEG	AP6548.01
CROSS BEAM (L=460mm)	AP6548.02
CROSS BEAM (L=1215mm)	AP6548.02A
SHELF (1215 X 460mm)	AP6548.03
CAP	AP6548.04
PLASTIC CLIP	AP6548.05

4.10 HALF HEIGHT STORAGE STATION. See Fig.12. Follow steps 4.2 and 4.3 to create a bottom frame with four 'A' posts attached. Using two long 'Z' beams (B) and two short 'Z' beams (C) build a shelf support level at the top of the angle posts (A). Tap the beams at either end, close to each angle post with a rubber mallet to ensure that the rivets are seated at the bottom of the keyhole slots. Build another shelf support level at the desired height within the frame using additional long and short 'Z' beams and ensure that the rivets are seated at the bottom of the keyhole slots.

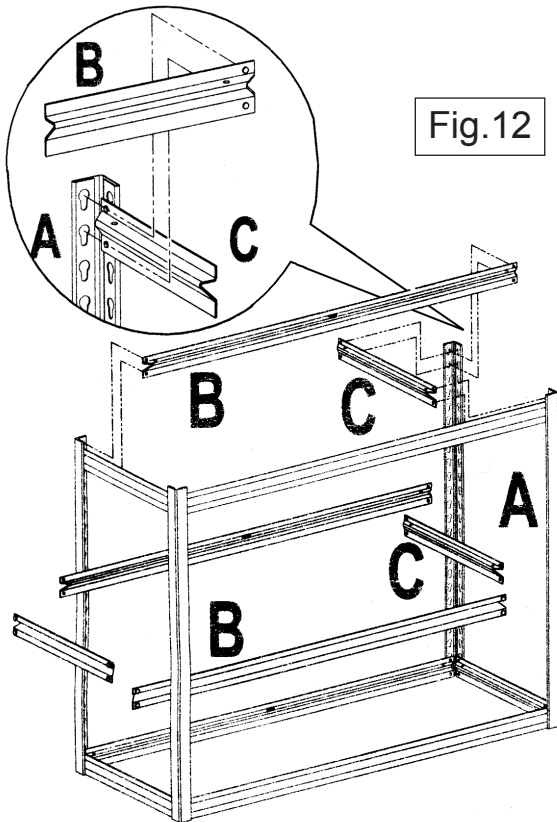


Fig.12

4.11 See Fig.13. Now start to build the second low level unit by making up two end frames as shown in Fig.13. One short 'Z' beam (C) should be fixed at the top of the angle posts and the other short 'Z' beam (C) should be fixed at the 7th and 8th keyholes up from the bottom of the angle posts as shown below. Ensure that each 'Z' beam is facing upwards. Tap the beam at either end, close to each angle post with a rubber mallet to ensure that the rivets are seated at the bottom of the keyhole slots.

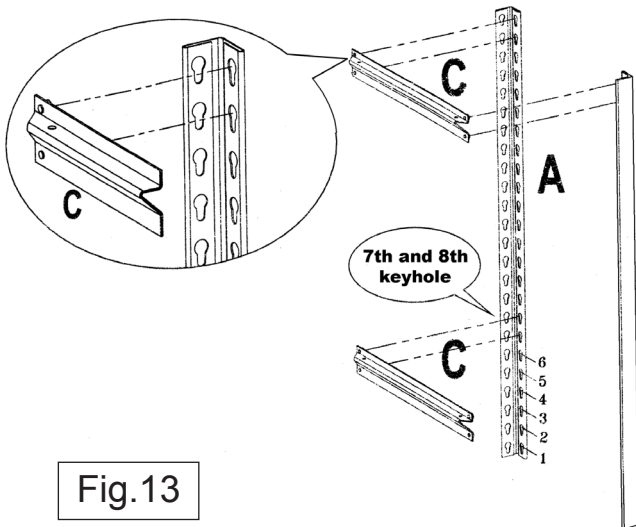


Fig.13

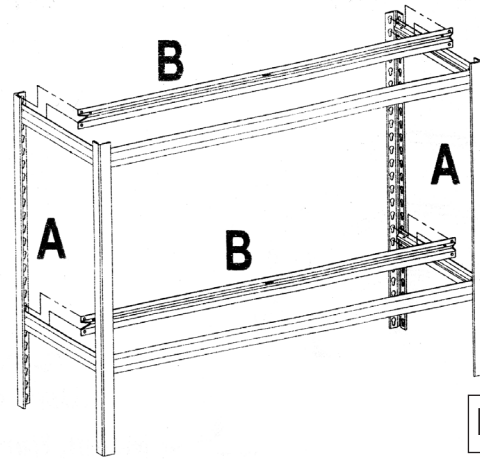


Fig.14

4.12 See Fig.14. Join the two end frames together using the four remaining long 'Z' beams as shown above. Ensure that each 'Z' beam is facing upwards. Tap the beams at either end, close to each angle post with a rubber mallet to ensure that the rivets are seated at the bottom of the keyhole slots.

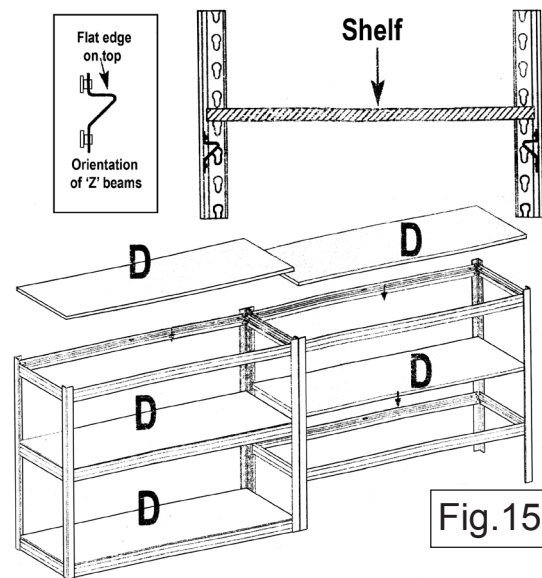


Fig.15

4.13 See Fig.15. Lay the shelves into position between the 'Z' beams as shown above.

4.14 See Fig.16. Place the two units end to end and join them together using the 2 post clips (G). Insert a post cap (E) into the top of each 'A' post.

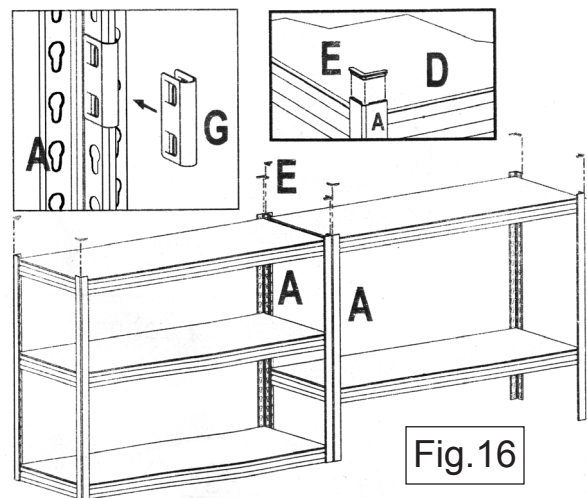


Fig.16



Environmental Protection

Recycle unwanted materials instead of disposing of them as waste. All tools, accessories and packaging should be sorted, taken to a recycling centre and disposed of in a manner which is compatible with the environment. When the product becomes completely unserviceable and requires disposal, drain off any fluids (if applicable) into approved containers and dispose of the product and the fluids according to local regulations.

NOTE: It is our policy to continually improve products and as such we reserve the right to alter data, specifications and component parts without prior notice.

IMPORTANT: No liability is accepted for incorrect use of this product.

WARRANTY: Guarantee is 12 months from purchase date, proof of which will be required for any claim.



Sole UK Distributor, Sealey Group,
Kempson Way, Suffolk Business Park,
Bury St. Edmunds, Suffolk,
IP32 7AR



01284 757500



01284 703534



www.sealey.co.uk



sales@sealey.co.uk