



MODULAR STORAGE SYSTEM

MODEL NO: **AP6115BE, AP6104BE, AP6103BE**

Thank you for purchasing a Sealey product. Manufactured to a high standard, this product will, if used according to these instructions, and properly maintained, give you years of trouble free performance.

IMPORTANT: PLEASE READ THESE INSTRUCTIONS CAREFULLY. NOTE THE SAFE OPERATIONAL REQUIREMENTS, WARNINGS & CAUTIONS. USE THE PRODUCT CORRECTLY AND WITH CARE FOR THE PURPOSE FOR WHICH IT IS INTENDED. FAILURE TO DO SO MAY CAUSE DAMAGE AND/OR PERSONAL INJURY AND WILL INVALIDATE THE WARRANTY. KEEP THESE INSTRUCTIONS SAFE FOR FUTURE USE.



Refer to instructions

1. SAFETY

- WARNING!** Ensure Health & Safety, local authority, and general workshop practice regulations are adhered to when using this system.
- ✓ Always load evenly with the centre of gravity of the load as near centre of the system as possible.
- ✗ **DO NOT** overload the system - see section 3.
- ✓ Use the system in a suitable work area.
- ✓ Keep the work area clean, uncluttered and ensure there is adequate lighting.
- ✓ Keep the system clean and tidy in accordance with good workshop practice.
- ✗ **DO NOT** use the system for any purpose other than that for which it is designed.
- ✗ **DO NOT** stand on the system, use it as a ladder or allow others to ride on the system.
- ✓ Use the wheel locks to prevent the system from inadvertently moving.
- ✗ **DO NOT** leave unattended, especially when loaded, unless the wheels are locked, chocked or the system otherwise secured.
- ✗ **DO NOT** use system on uneven ground and do not run over curbs or steps - use a ramp.
- ✗ **DO NOT** use system if any part is significantly damaged, paying particular attention to the wheels.
- ✓ Keep children and unauthorised persons away from the work area.

2. INTRODUCTION

AP6115BE

Use as part of a complete garage storage system or as an individual storage system. All heavy-duty steel construction and manufactured with steel inner walls for extra strength and durability. 15 full height rear locking mechanism, soft close drawers with heavy-duty 45mm ball-bearing slides that provide superior drawer performance. Tough industrial powder coated finish. Fitted with four Ø152mm PP wheels with black chrome effect alloys, two castors with quick release anti-rotation toe locks and two fixed wheels. Side handle for added comfort when manoeuvring around the workplace and stylish 30mm wooden work top. Each drawer features stylish black anodized drawer pulls plus pre-cut non-slip liners. Features a power cord storage hanger and bottle opener. Supplied with two folding keys. This item is heavy. Extra assistance must be provided at the delivery point to help its safe delivery.

AP6104BE

Use as part of a complete garage storage system. All heavy-duty steel construction and manufactured with steel inner walls for extra strength and durability. 1864mm side locker with 4 self-adjusting powder coated shelves. Tough industrial powder coated finish. Fitted with Two Ø152mm PP wheels with black chrome effect alloys, with quick release anti-rotation toe locks. Only for use with Sealey AP6115BE 1549mm Mobile Trolley and AP6103BE Hutch and 2 drawer riser unit. Supplied with two folding keys. Extra assistance must be provided at the delivery point to help its safe arrival, delivered on a wooden pallet.

AP6103BE

Use as part of a complete garage storage system or as an individual storage trolley. All heavy-duty steel construction and manufactured with steel inner walls for extra strength and durability. 2 heavy-duty riser drawers with 45mm ball-bearing drawer slides provide superior performance, suitable for heavier loads. Full height rear locking mechanism, locks smooth running soft close drawers in place. Each drawer features stylish black anodized heavy-duty drawer pulls plus pre-cut non-slip liners. Tough industrial powder coated finish. Hutch style top chest features gas struts, single full-length powder coated shelf and pegboard back for easy tool storage. Pegboard is compatible with all Sealey TTS hooks. Hutch is supplied with a power strip (4 x 230V, 2 x 5V 2.4A USB sockets) which can be easily installed where needed as well as LED lights. Hutch and riser drawer set supplied together. Only for use with Sealey AP6115BE 1549mm Mobile Trolley. Supplied with two folding keys. Extra assistance must be provided at the delivery point to help its safe delivery, delivered on wooden pallet.

3. SPECIFICATION

Model No.:..... **AP6115BE**

Overall Size (W x D x H): 1549 x 584 x 979mm
Weight Capacity: 415kg

Top Drawer x1: 510 x 70 x 1430mm

Model No.:..... **AP6104BE**

Shelf size in Locker x4: 530 x 690mm
Overall Size (W x D x H): 698 x 584 x 1864mm

Weight Capacity: 50kg

Middle Large Drawer x1: 510 x 210 x 670mm
Weight Capacity: 50kg

Middle Medium Drawer 2x: 510 x 80 x 670mm
Weight Capacity: 25kg

Middle Small Drawer x1: 510 x 40 x 670mm
Weight Capacity: 25kg

Narrow Large Drawer x2: 510 x 210 x 318mm
Weight Capacity: 50kg

Narrow Medium Drawer x2: 510 x 80 x 318mm
Weight Capacity: 25kg

Narrow Small Drawer x6: 510 x 40 x 318mm
Weight Capacity: 15kg

Model No.: **AP6103BE**
Hutch Overall Size: 1549 x 584 x 716mm
Hutch Shelf: 1464 x 170mm
Weight Capacity: 15kg
Two Drawer Riser: 1549 x 584 x 169mm
Drawer Size x2: 680 x 505 x 60mm
Weight Capacity: 25kg

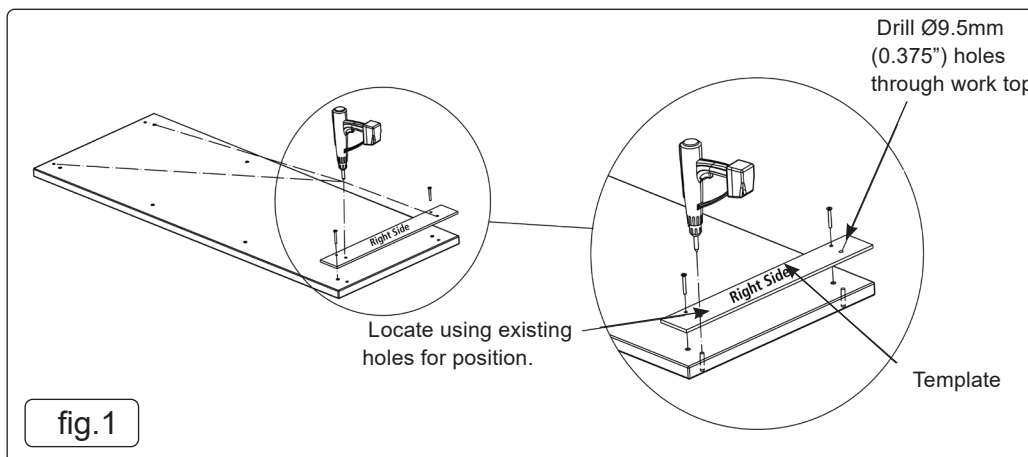
4. ASSEMBLY

4.1. AP6115BE, AP6103BE INSTRUCTIONS

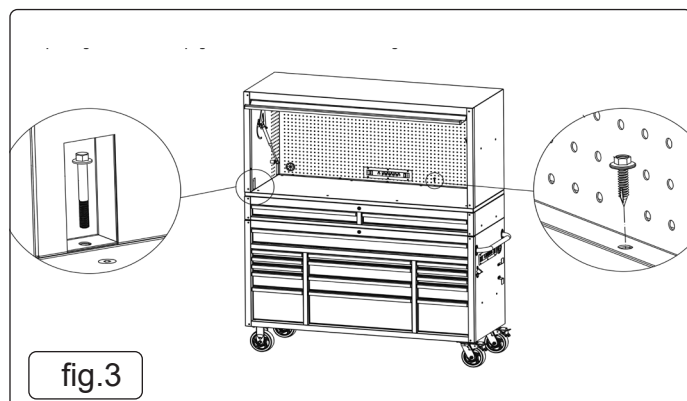
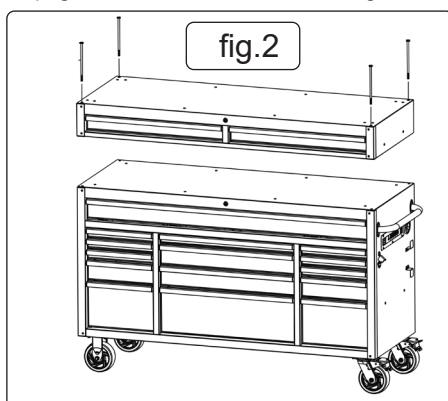
NOTE: Delivered on a pallet. Seek assistance to remove items from pallet.

NOTE: DO NOT tighten fixings until all parts are correctly aligned.

- 4.1.1. Remove the wooden top by unscrewing the 8 bolts holding it down.
- 4.1.2. Line up the supplied template to the right hand end of the top using the two existing holes (fig.1).
- 4.1.3. Using the template, drill 2 holes through the top using the supplied 9.5mm (0.375") drill bit.
- 4.1.4. Turn the template over and repeat the procedure on the left hand end of the top.



- 4.1.5. Place the Riser cabinet on top of the trolley.
- 4.1.6. Using a 16mm socket or wrench, attach the Riser with 4 pcs M8×192mm long bolts in the four corners. Be careful not to over-tighten (fig.2).
- 4.1.7. Position the wood top on the Riser.
- 4.1.8. Ensure the four 9.5mm (3/8" in.) holes drilled in Sections 4.12 - 4.14 align with the threaded holes in the Riser.
- 4.1.9. Attach wood top to riser with 8 bolts previously removed from the cabinet. Place the Hutch on the Riser after the wood top is installed.
- 4.1.10. Open the Hutch door.
- 4.1.11. Use 4 M6X48mm flange bolt in the 4 corners and tighten using an 8mm socket or wrench (fig.3).
- 4.1.12. Using a 2.4mm dia. (3/32") drill bit, pre-drill 5 holes into the wood top along the pegboard backwall. Be careful to only drill 25.4mm (1") deep.
- 4.1.13. Using an 8mm socket, install 5 pcs. ST5.5 x 25mm wood self-tapping screw into the pre-drilled holes in the wood top along the rear of the pegboard. Be careful not to over-tighten.



4.2. AP6104BE INSTRUCTIONS

NOTE: The locker can fitted to either end of the trolley and the door re-hung (left or right opening) to suit.

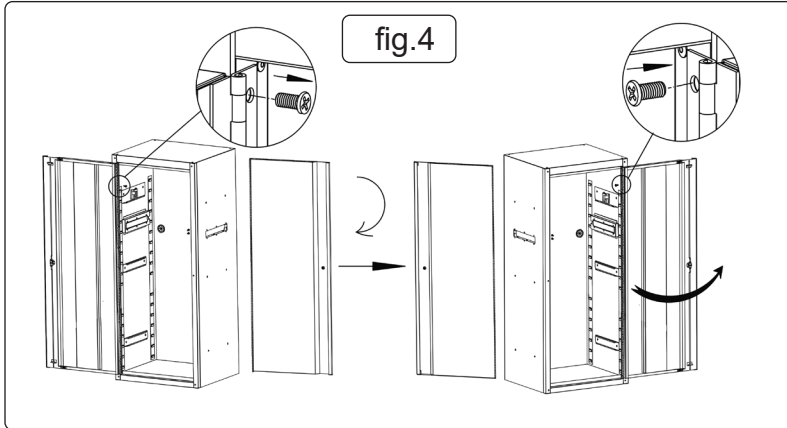
4.3. DOOR ARRANGEMENT (fig.4)

4.3.1. Remove the door of the locker by removing the 11 Phillips head bolts inside the hinge of the locker. Then re-install the door with the 11 Phillips head bolts along the hinge located on the right side of the locker.

4.3.2. Ensure the door is level and centred in the opening before tightening the 11 bolts.

4.3.3. If the handing of the door is such that the power outlet on the wall of the locker requires repositioning to the opposite side, remove the 6 Phillips head screws from the outlet panel cover and gently pull the power outlet and holder from the cabinet.

NOTE: Reassemble the power unit to the required location which can be on either left or right side and also either inside or outside of the locker. Use the blanking plate to close off the unused power unit location.



4.4. FITTING THE CASTORS

NOTE: Be sure the door is locked and lay the locker down. Use packaging material to protect the surfaces.

4.4.1. Attach the swivel casters to the under side of the locker by inserting bolts and washers through the swivel caster base plate.

4.4.2. Use the Hex Key to tighten the 8 bolts to the locker base.

NOTE: If assembling locker to the left side of the workbench, then castors will mount to the left side and vice versa.

4.5. ATTACHING THE LOCKER (fig.5)

4.5.1. Place the foam block (supplied) next to the workbench.

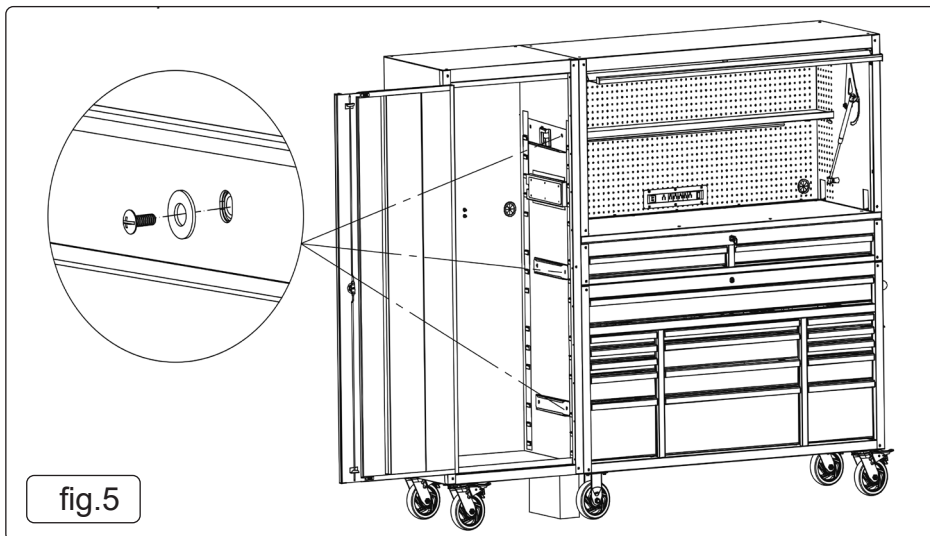
4.5.2. Align the locker to the workbench and seat it on the foam block to maintain balance. Then lock the castor wheels.

4.5.3. On the inside of the locker use 6 pcs M6 bolts and washers to attach to the workbench, riser and hutch assembly.

4.5.4. Do not fully tighten until all 6 bolts are installed.

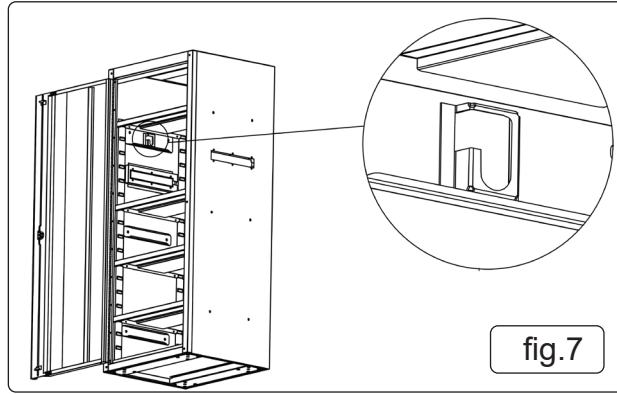
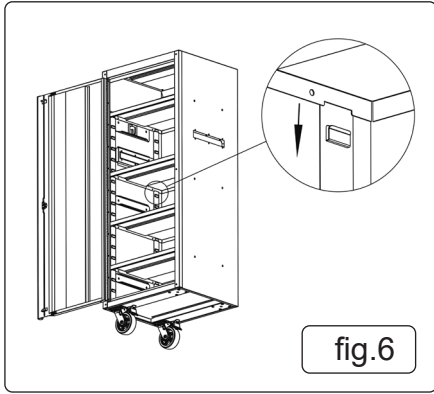
4.5.5. Align the locker to be flush with the edge of the hutch and workbench and then tighten all bolts.

4.5.6. After the bolts are secured, the foam block can be removed.



4.6. LOCKER FITTINGS

- 4.6.1. Install the storage hooks on the back of the locker with 4 pcs hexagon socket button cap screws.
- 4.6.2. Determine the desired height of your shelves and secure by inserting shelf edges into the tabs/flanges on the side panels (fig.6).
- 4.6.3. The locker has pre-installed closet rail inserts on side panels which are suitable for rails up to Ø31mm (1.25") (fig.7) (not included).



5. MAINTENANCE

- 5.1. Periodically lubricate castors and tighten all hardware.
- 5.2. Lightly oil all runners / moving parts using a soft cloth.
- 5.3. Clean the surfaces with a soft cloth and a mild water/detergent solution.



ENVIRONMENT PROTECTION

Recycle unwanted materials instead of disposing of them as waste. All tools, accessories and packaging should be sorted, taken to a recycling centre and disposed of in a manner which is compatible with the environment. When the product becomes completely unserviceable and requires disposal, drain any fluids (if applicable) into approved containers and dispose of the product and fluids according to local regulations.



REGISTER YOUR PURCHASE HERE

Note: It is our policy to continually improve products and as such we reserve the right to alter data, specifications and component parts without prior notice.

Important: No Liability is accepted for incorrect use of this product.

Warranty: Guarantee is 12 months from purchase date, proof of which is required for any claim.

Sealey Group, Kempson Way, Suffolk Business Park, Bury St Edmunds, Suffolk. IP32 7AR



01284 757500



01284 703534



sales@sealey.co.uk



www.sealey.co.uk