



INSTRUCTIONS FOR: 41" 12 DRAWER STAINLESS STEEL ROLL CABINET MODEL: AP4712S

Thank you for purchasing a Sealey product. Manufactured to a high standard this product will, if used according to these instructions and properly maintained, give you years of trouble free performance.

⚠ IMPORTANT: READ THESE INSTRUCTIONS CAREFULLY. NOTE THE SAFE OPERATIONAL REQUIREMENTS, WARNINGS AND CAUTIONS. USE THIS PRODUCT CORRECTLY AND WITH CARE FOR THE PURPOSE FOR WHICH IT IS INTENDED. FAILURE TO DO SO MAY CAUSE DAMAGE AND/OR PERSONAL INJURY AND WILL INVALIDATE THE WARRANTY. RETAIN THESE INSTRUCTIONS FOR FUTURE USE.

1. SAFETY PRECAUTIONS

1.1. GENERAL SAFETY INSTRUCTIONS.

- ✓ Read the operator's Manual carefully before using your tool chest.
- x **DO NOT** open more than one drawer at a time.
- x **DO NOT** step on the drawers.
- x **DO NOT** let children near the tool chest.
- ✓ Lock the locking casters unless you are moving the tool chest.
- ✓ Lock drawers and top lid before moving the tool chest.

2. CONTENTS

Check that the kit contains the following parts, if not contact your supplier immediately.

PARTS								
PARTS NAME	KEY	SWIVEL CASTER	FIXED CASTER	M8 HEX. BOLT	M8 WASHER	M6 HEX. BOLT	LINER	SIDE HANDLE
Q'TY	2	2	2	16	16	12	6(S) + 6(L)	2

3. ASSEMBLY

3.1 Install Side Handles.

- 3.1.1 Line up the side handles x 2 on either side of the cabinet. (fig.2)
- 3.1.2 Using the M6 HEX bolts secure the handles to the cabinet.
- 3.1.3 Tighten M6 HEX bolts securely.

3.2 Install drawer liners.

- 3.2.1 Place liners inside each drawer to protect the surface.

3.3 Install Casters.

- 3.3.1 Carefully lay the cabinet on it's back. (fig.3)
- 3.3.2 Position the two locking casters on the left side of the cabinet bottom.
- 3.3.3 Fix the two locking casters to the cabinet using four x M8 HEX bolts and four M8 washers.(fig.3.)
- 3.3.4 Fix the two swivel casters to the other side and secure with four M8 HEX bolts and M8 washers each.

4. OPERATION

4.1 Remove and Replace Drawer.

- 4.1.1 Extend drawer fully, press down the black lever on the right hand slider (fig.4), and pull up the black lever on the left hand slide (fig.5).
- 4.1.2 Hold the levers and then extend the drawer fully outward until the drawer is out of the slider. Reverse sequence to replace.

Fig.1

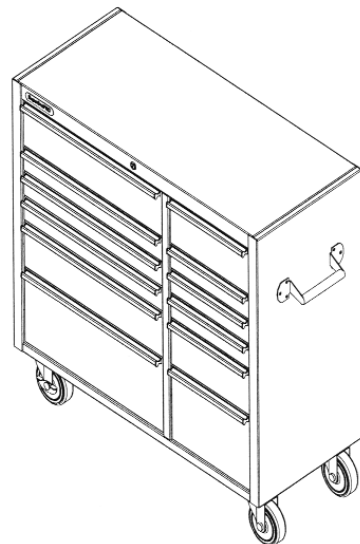


Fig.2

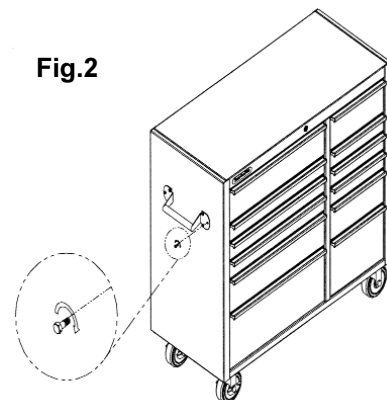


Fig.3

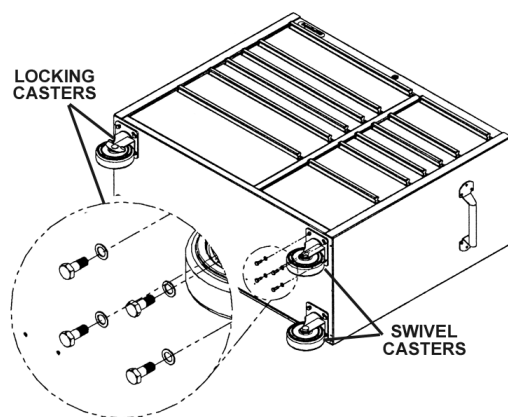


Fig.4

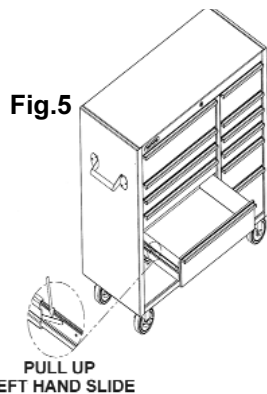


Fig.5



Sole UK Distributor
Sealey Group,
Bury St. Edmunds, Suffolk.



01284 757500



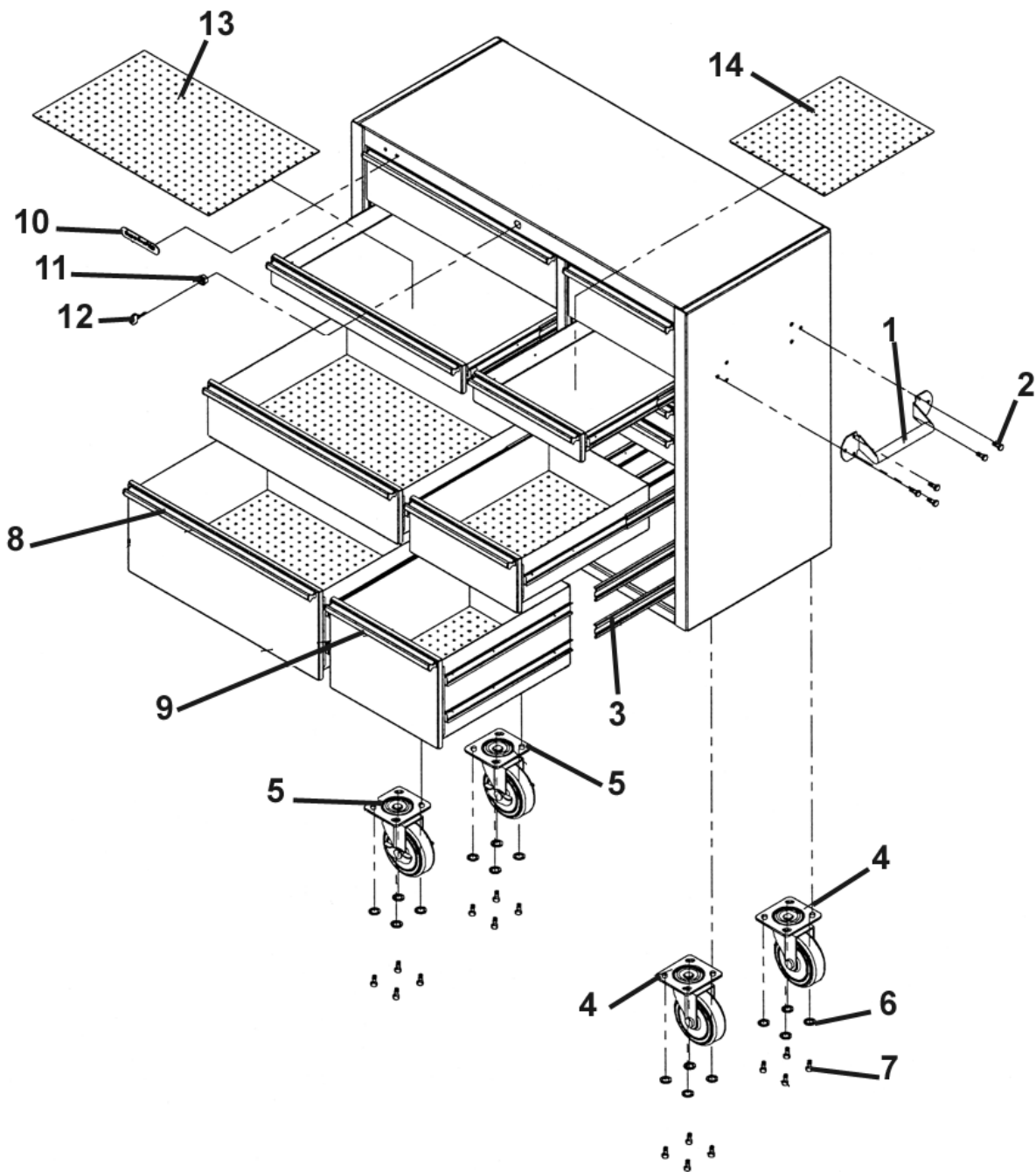
01284 703534



www.sealey.co.uk



sales@sealey.co.uk



ITEM	DESCRIPTION	PART No.	ITEM	DESCRIPTION	PART No.
1	SIDE HANDLE	AP4712S.01	8	DRAWER HANDLE (L)	AP4712S.08
2	M6 HEX. BOLT	AP4712S.02	9	DRAWER HANDLE (S)	AP4712S.09
3	BEARING SLIDE	AP4712S.03	10	LOGO	AP4712S.10
4	FIXED CASTOR	AP4712S.04	11	LOCK	AP4712S.11
5	SWIVEL CASTOR	AP4712S.05	12	KEY	AP4712S.12
6	M8 WASHER	AP4712S.06	13	LINER (L)	AP4712S.13
7	M8 HEX BOLT	AP4712S.07	14	LINER (S)	AP4712S.14