



INSTRUCTIONS FOR:  
**41" 7 DRAWER STAINLESS STEEL TOP CHEST**  
**MODEL: AP4707S**

Thank you for purchasing a Sealey product. Manufactured to a high standard this product will, if used according to these instructions and properly maintained, give you years of trouble free performance.

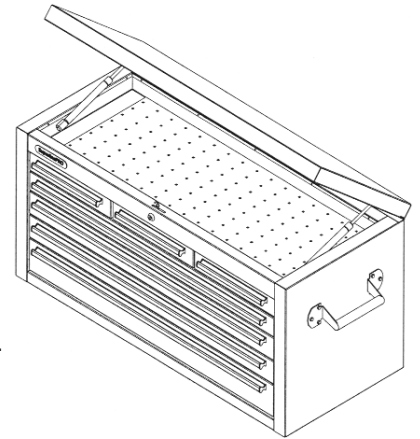
**⚠ IMPORTANT: READ THESE INSTRUCTIONS CAREFULLY. NOTE THE SAFE OPERATIONAL REQUIREMENTS, WARNINGS AND CAUTIONS. USE THIS PRODUCT CORRECTLY AND WITH CARE FOR THE PURPOSE FOR WHICH IT IS INTENDED. FAILURE TO DO SO MAY CAUSE DAMAGE AND/OR PERSONAL INJURY AND WILL INVALIDATE THE WARRANTY. RETAIN THESE INSTRUCTIONS FOR FUTURE USE.**

**1. SAFETY PRECAUTIONS**

**1.1. GENERAL SAFETY INSTRUCTIONS.**




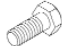
- ✓ Read the operator's Manual carefully before using your tool chest.
- ✗ **DO NOT** open more than one drawer at a time.
- ✗ **DO NOT** step on the drawers.
- ✗ **DO NOT** let children near the tool chest.
- ✓ Lock drawers and top lid before moving the tool chest.

Fig.1



**2. CONTENTS**

Check that the kit contains the following parts, if not contact your supplier immediately.

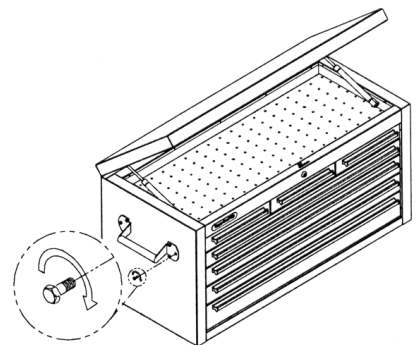
PARTS				
PARTS NAME	KEY	SIDE HANDLE	LINER	M6 HEX. CAR. BOLT
Q'TY	2	2	3(S) + 5(L)	12

**3. ASSEMBLY**

**3.1 Install Side Handles.**

- 3.1.1 Line up the side handles x 2 on either side of the chest. (fig.2)
- 3.1.2 Using the M6 x 1.0mm HEX bolts secure the handles to the cabinet.
- 3.1.3 Tighten M6 HEX bolts securely.

Fig.2



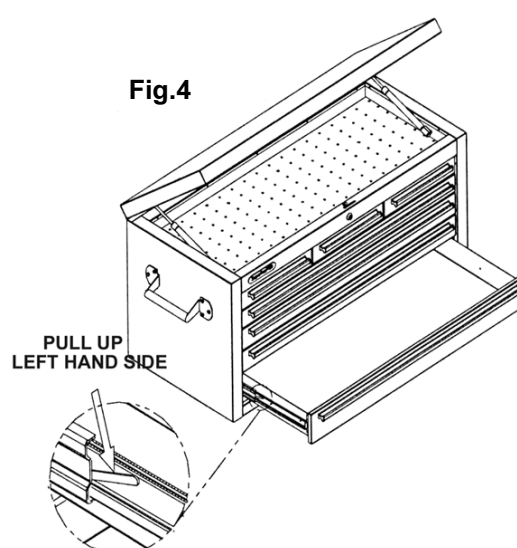
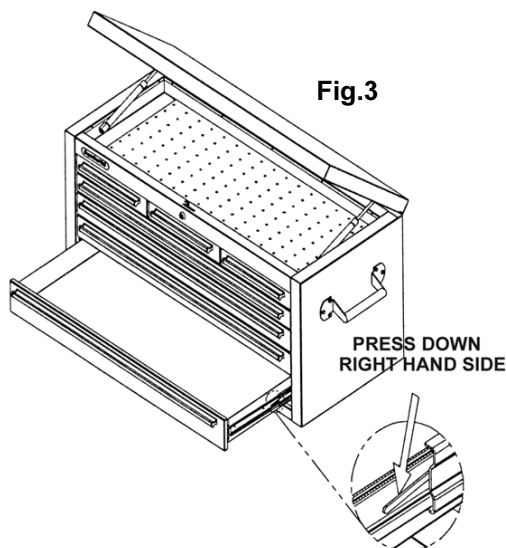
**3.2 Install drawer liners.**

- 3.2.1 Place liners x 8 inside top compartment and each drawer to protect the surface.



**4. OPERATION**

**4.1 Remove and Replace Drawer.**

- 4.1.1 Extend drawer fully, press down the black lever on the right hand slider (fig.3), and pull up the black lever on the left hand slide (fig.4).
- 4.1.2 Hold the levers and then extend the drawer fully outward until the drawer is out of the slides.
- 4.1.3 Replace by pulling out the slides.
- 4.1.4 Insert the rails on either side of the drawer into the slots of the slides and gently push the drawer into place.



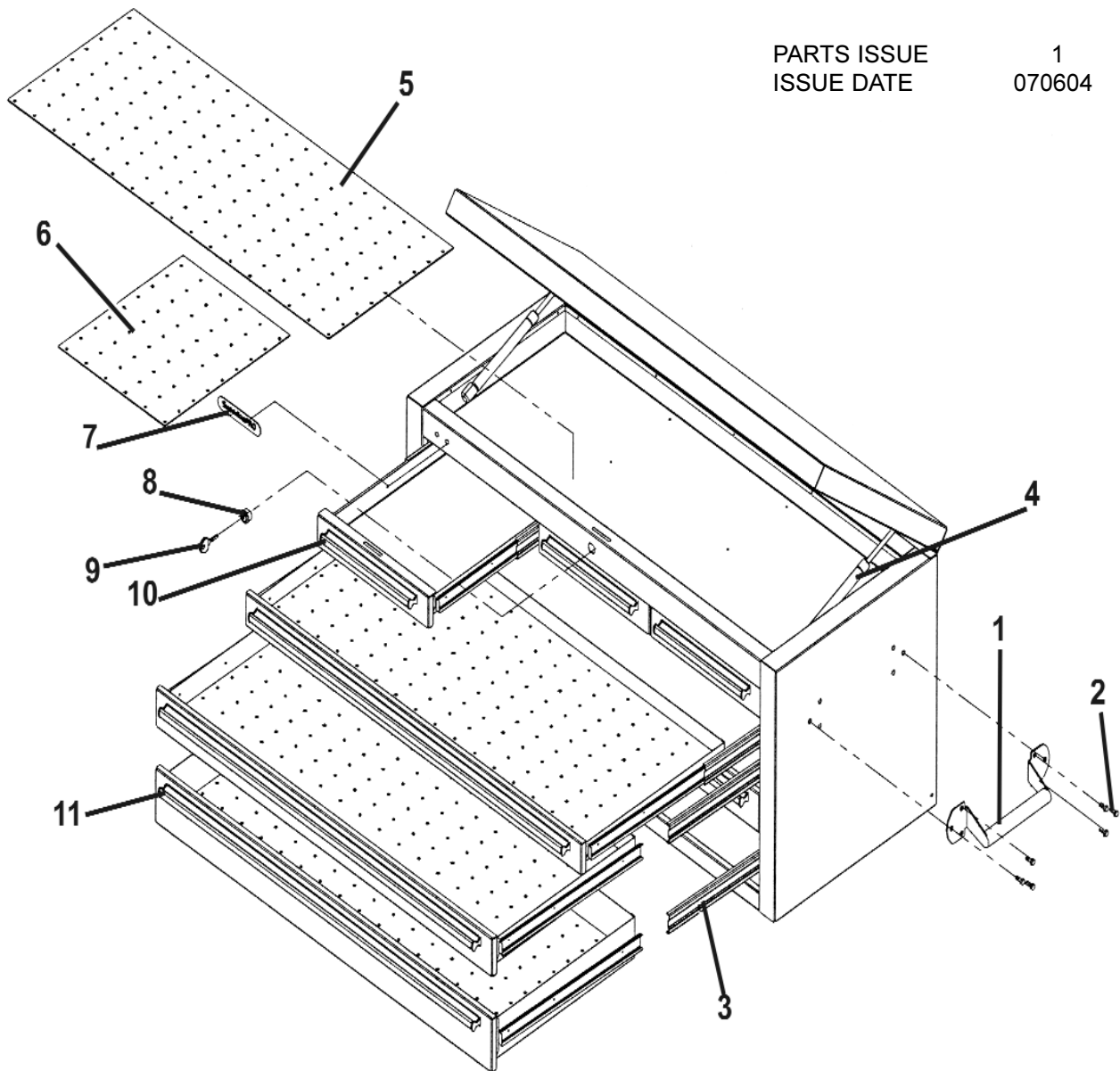
Sole UK Distributor  
 Sealey Group,  
 Bury St. Edmunds, Suffolk.

 01284 757500  
 01284 703534

 [www.sealey.co.uk](http://www.sealey.co.uk)  
 [sales@sealey.co.uk](mailto:sales@sealey.co.uk)

PARTS ISSUE  
 ISSUE DATE

1  
 070604



ITEM	DESCRIPTION	PART No.	ITEM	DESCRIPTION	PART No.
1	SIDE HANDLE	AP4707S.01	7	LOGO	AP4707S.07
2	M6 HEX BOLT	AP4707S.02	8	LOCK	AP4707S.08
3	BEARING SLIDE	AP4707S.03	9	KEY	AP4707S.09
4	AIR LIFT	AP4707S.04	10	HANDLE (S)	AP4707S.010
5	LINER (L)	AP4707S.05	11	HANDLE (L)	AP4707S.011
6	LINER (S)	AP4707S.06			