



INSTRUCTIONS FOR ROLLCABS

Thank you for purchasing a Sealey product. Manufactured to a high standard, this product will, if used according to these instructions, and properly maintained, give you years of trouble free performance.

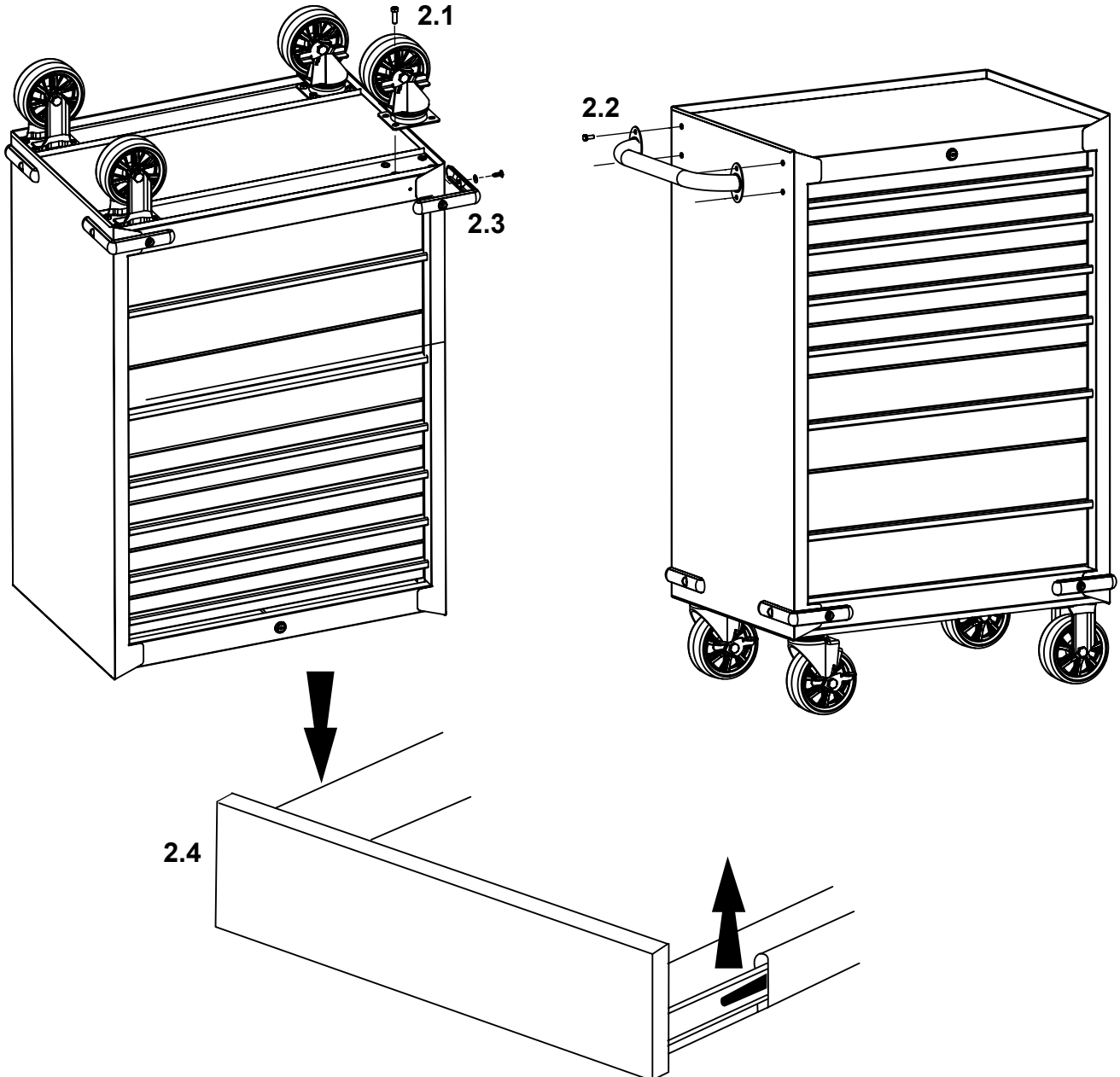
IMPORTANT: PLEASE READ THESE INSTRUCTIONS CAREFULLY. NOTE THE SAFE OPERATIONAL REQUIREMENTS, WARNINGS & CAUTIONS. USE THE PRODUCT CORRECTLY AND WITH CARE FOR THE PURPOSE FOR WHICH IT IS INTENDED. FAILURE TO DO SO MAY CAUSE DAMAGE AND/OR PERSONAL INJURY AND WILL INVALIDATE THE WARRANTY. KEEP THESE INSTRUCTIONS SAFE FOR FUTURE USE.

1. SAFETY

- ✓ To avoid tipping, **DO NOT** open more than one drawer at a time.
- ✗ **DO NOT** climb on the drawers or cabinet.
- ✓ Close and secure all drawers when moving.

2. ASSEMBLY

- 2.1. Attach the castors (2 fixed, 2 swivel). Use 4 bolts per castor, without washers or spacers.
NOTE: Swivel castors should be mounted at the same side as the handle.
- 2.2. Fit handle using 4 screws.
- 2.3. Attach the 4 plastic bumpers onto the bottom corners. Use 2 screws and 2 washers per bumper.
- 2.4. To remove a drawer with roller sliders, pull the drawer completely out, press down the left tab and lift up the right tab, pull drawer off the slides. To reinstall the drawer, realign with the internal drawer slide and push until it locks in place.



3. MAINTENANCE

3.1. Lubricate periodically and tighten nuts and bolts.



ENVIRONMENT PROTECTION

Recycle unwanted materials instead of disposing of them as waste. All tools, accessories and packaging should be sorted, taken to a recycling centre and disposed of in a manner which is compatible with the environment. When the product becomes completely unserviceable and requires disposal, drain any fluids (if applicable) into approved containers and dispose of the product and fluids according to local regulations.

Note: It is our policy to continually improve products and as such we reserve the right to alter data, specifications and component parts without prior notice.

Important: No Liability is accepted for incorrect use of this product.

Warranty: Guarantee is 12 months from purchase date, proof of which is required for any claim.

Sealey Group, Kempson Way, Suffolk Business Park, Bury St Edmunds, Suffolk. IP32 7AR



01284 757500



01284 703534



sales@sealey.co.uk



www.sealey.co.uk