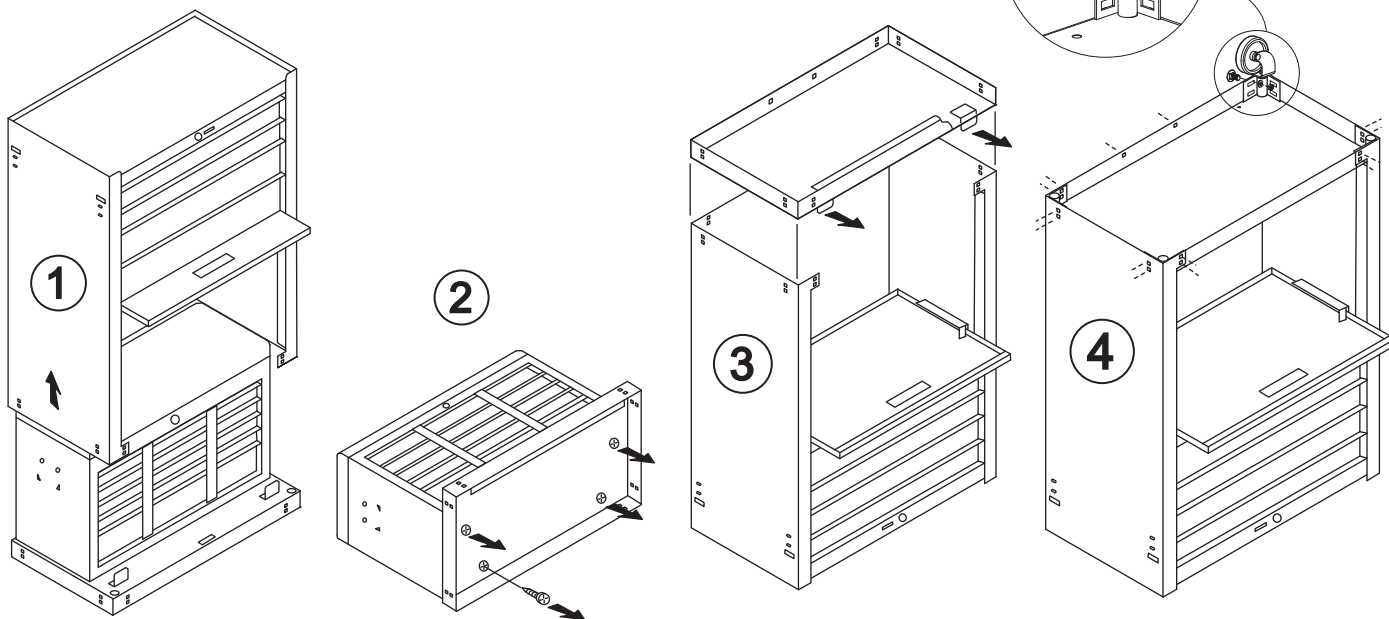
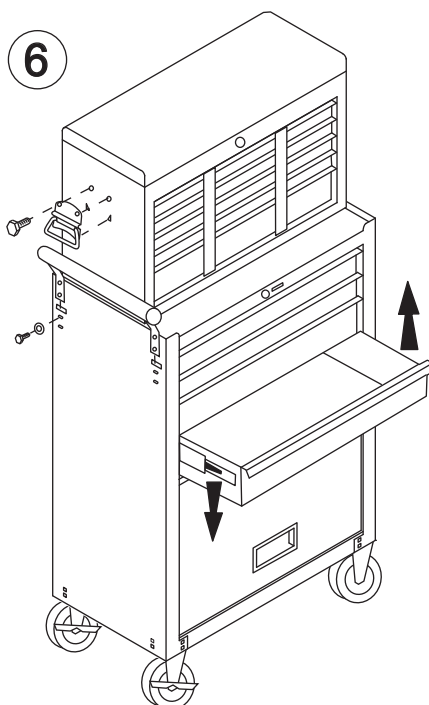
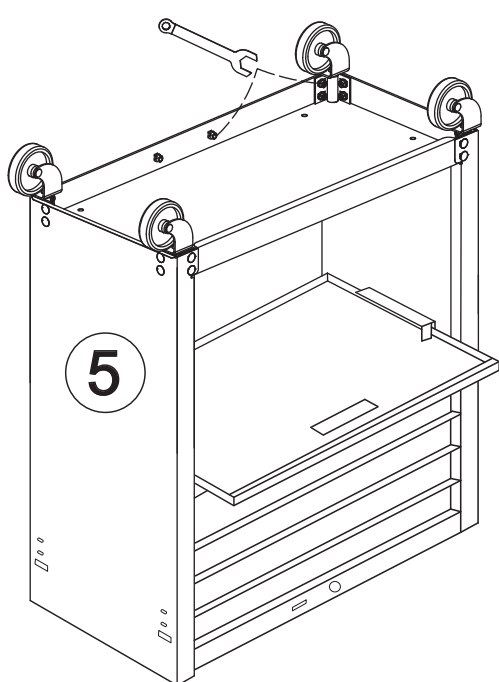


# SEALEY POWER PRODUCTS



1. lift the main rollcab body off the base and topchest.
2. Remove the 4 screws on the bottom of the topchest assembly then remove the base from the bottom of the topchest.
3. Reattach the base to the bottom of the roll cab ensuring it the correct way up and secure with supplied fixings.
4. & 5. In each corner of the base attach the castor and tighten fixings .
6. Attach the topchest side handles using the 2 x bolts. Insert the side handle into the rollcab and attach using the 4 x bolts and washers.



To remove a drawer, pull the drawer completely out, press down the left tab and lift up the right tab, pull drawer off the slides. To reinstall the drawer, realign with the internal drawer slide and push until it locks in place.

**MAINTENANCE:** Periodically lubricate castors and tighten all nuts/bolts.

**IMPORTANT:** To avoid tipping, open one drawer at a time and close and secure all drawers when moving.

**NOTE:** It is our policy to continually improve products and as such we reserve the right to alter data, specifications and component parts without prior notice.

**IMPORTANT:** No liability is accepted for incorrect use of this product.

**WARRANTY:** Guarantee is 12 months from purchase date, proof of which will be required for any claim.

**INFORMATION:** For a copy of our latest catalogue and promotions call us on 01284 757525 and leave your full name and address, including postcode.



Sole UK Distributor, Sealey Group,  
Kempson Way, Suffolk Business Park,  
Bury St. Edmunds, Suffolk,  
IP32 7AR

01284 757500

www.sealey.co.uk

01284 703534

sales@sealey.co.uk