



INSTRUCTIONS FOR:
FOLDABLE WORKBENCH, CABINET AND PEG BOARD

MODEL NO: **AP20FWB**

Thank you for purchasing a Sealey product. Manufactured to a high standard, this product will, if used according to these instructions, and properly maintained, give you years of trouble free performance.

IMPORTANT: PLEASE READ THESE INSTRUCTIONS CAREFULLY. NOTE THE SAFE OPERATIONAL REQUIREMENTS, WARNINGS & CAUTIONS. USE THE PRODUCT CORRECTLY AND WITH CARE FOR THE PURPOSE FOR WHICH IT IS INTENDED. FAILURE TO DO SO MAY CAUSE DAMAGE AND/OR PERSONAL INJURY AND WILL INVALIDATE THE WARRANTY. KEEP THESE INSTRUCTIONS SAFE FOR FUTURE USE.

1. SAFETY

- ✓ Select a work area suitable for the workbench and keep the area clean, tidy and free from unrelated materials. Ensure there is adequate lighting.
- ✓ Mount the workbench on a stable wall and floor strong enough to take the weight of the workbench and cabinet.
- ✓ Maintain the workbench in good condition.
- ✓ Replace or repair damaged parts. Use recommended parts only, unauthorised parts may be dangerous and will invalidate the warranty.
- ✓ Remove ill fitting clothing, remove ties, watches, rings and other loose jewellery and contain long hair.
- ✓ Maintain correct balance and footing. Ensure the floor is not slippery and wear non-slip shoes.
- ✓ Keep children and unauthorised persons away from the work area.

2. INTRODUCTION

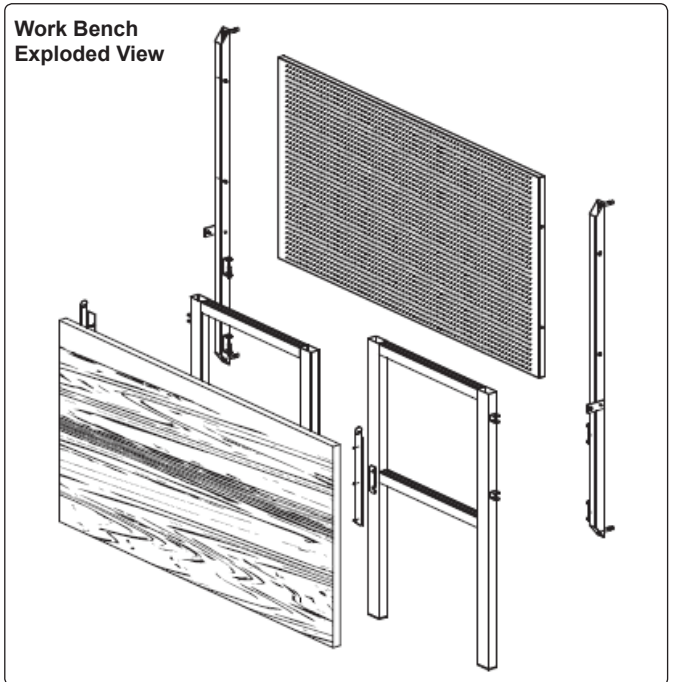
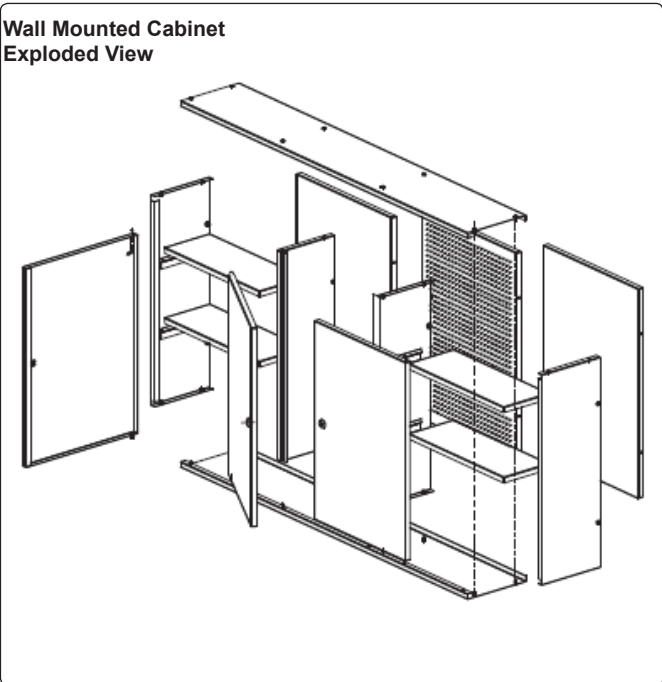
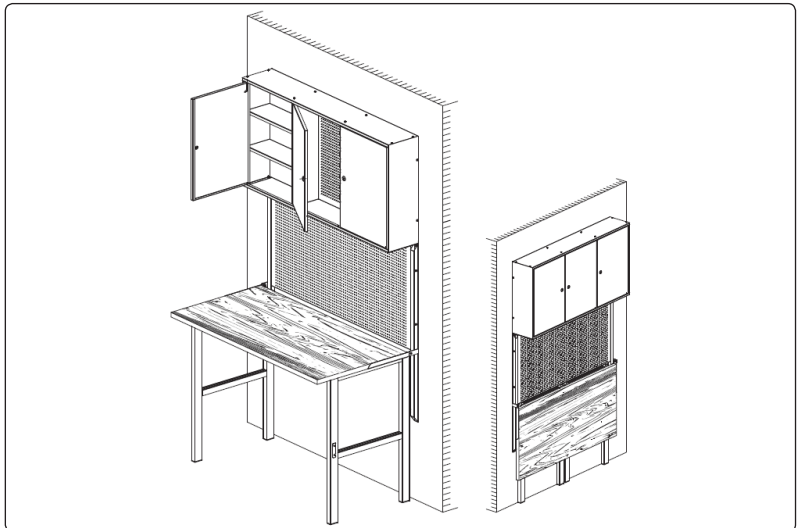
Space saving wall mounting folding workbench with peg board and wall mounted cabinet. Workbench provides large work area when needed and conveniently folds away when not in use, saving space in garage/workshop. Storage provided by wall cabinet and peg board back for hand tools. Wall cabinet has 3 locking sections, each provided with 2 keys.

3. SPECIFICATION

Model No: **AP20FWB**
Dimensions (WxDxH):
 Cabinet: 1200x200x600mm
 Cabinet Sections (x3): 385x170x590mm
 Peg Board (WxH): 1200x585mm
 Workbench Folded: 1200x70x870mm
 Workbench Open: 1200x650x870mm
 Wall Area Required: 1200x2055mm

4. ASSEMBLY

- 4.1. **Wall Mounted Cabinet**
 - 4.1.1. Use Wall Mounted Cabinet Parts Diagram to identify the parts and follow diagrams to assemble, see fig's 1 to 8.
- 4.2. **Work Bench**
 - 4.2.1. Use the Work Bench Parts Diagram to identify the parts and follow diagrams to assemble, see fig's 9 to 12.



Wall Mounted Cabinet
Parts Diagram







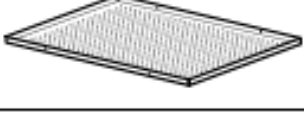


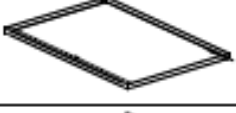



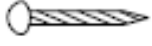

NO.	SCHEMATIC DIAGRAM	CONTENTS
A1		lid for top and base, 2pcs
A2L		left side wall, 1pc
A2R		right side wall, 1pc
A3		middle left wall, 1pc
A4		middle right wall, 1pc
A5		side back, 2pcs
A6		middle back with hole, 1pc
A7		shelves, 4pcs
A8L		left door, 2pcs
A8R		right door, 1pc
A9		screw, M6X10, 24pcs
A10		washes, Ø6, 24pcs
A11		nuts, M6, 24pcs
A12		screw, M6X60, 2pcs
A13		plastic anchors, Ø6, 2pcs

fig.1

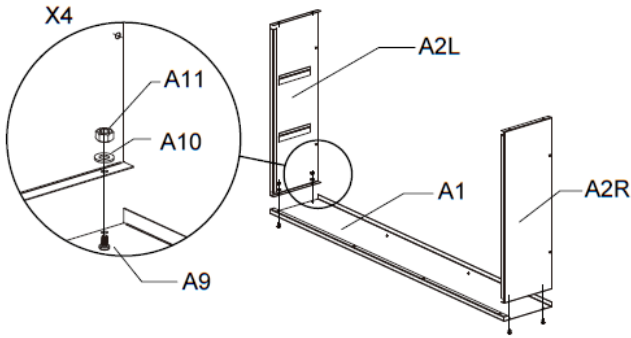


fig.2

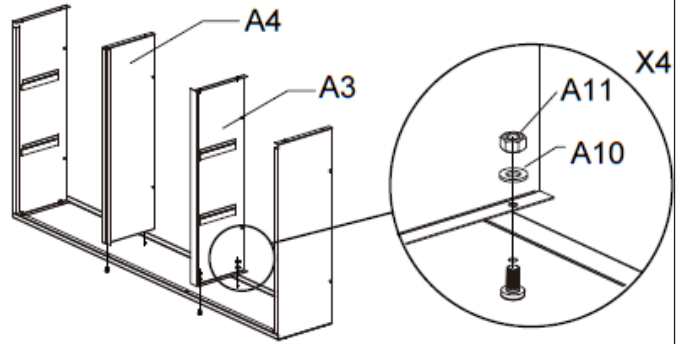


fig.3

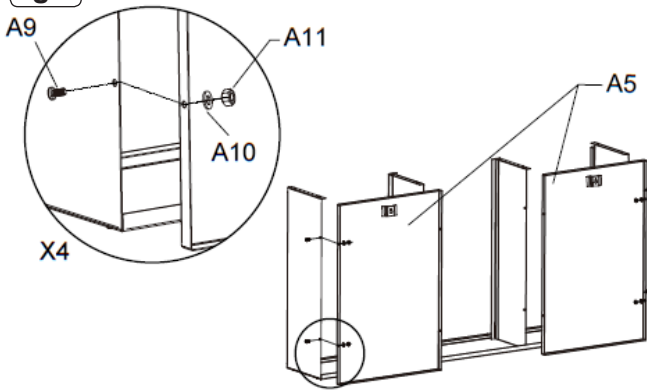


fig.4

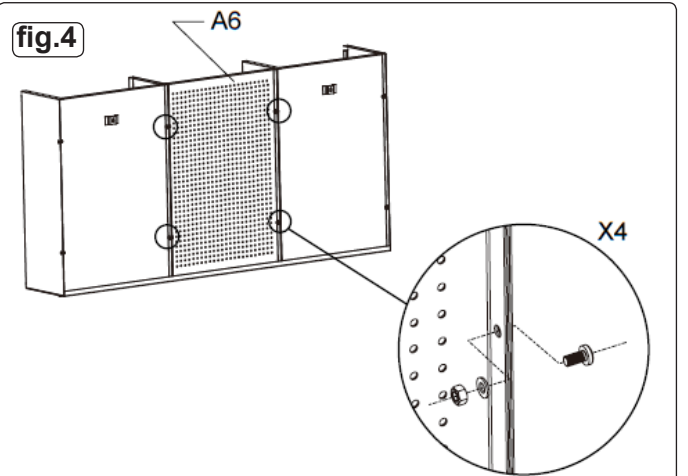


fig.5

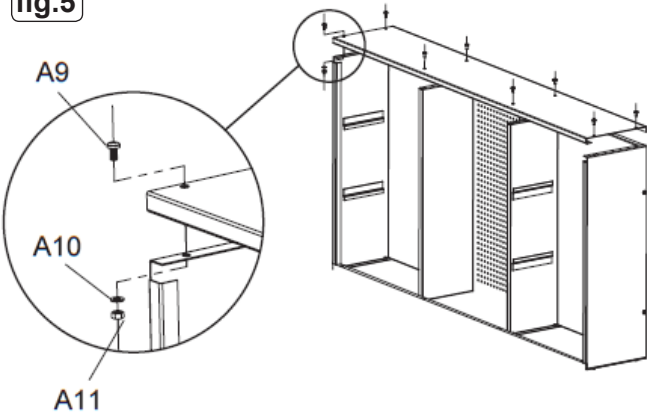


fig.6

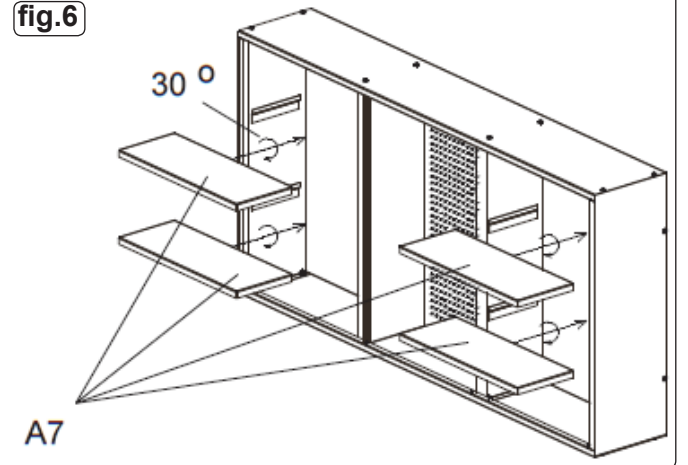


fig.7

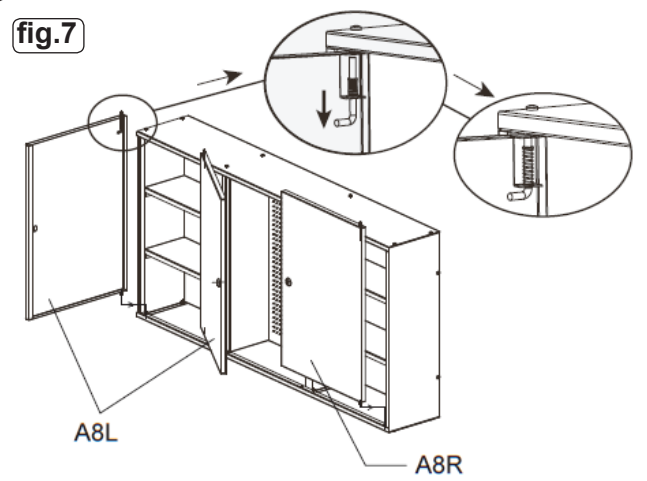
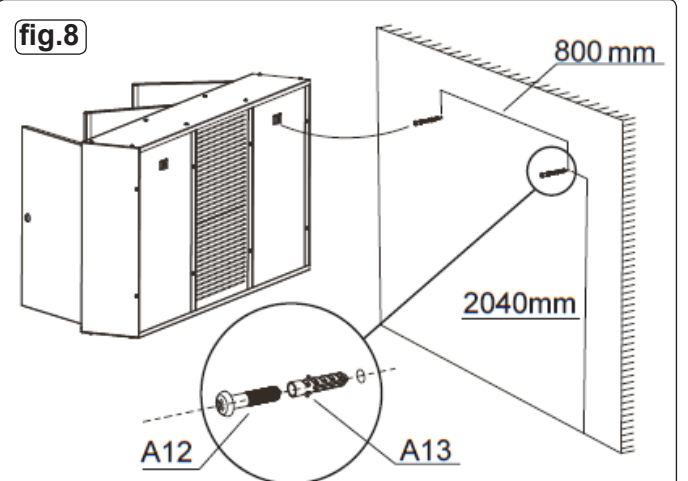


fig.8



Work Bench
Parts Diagram





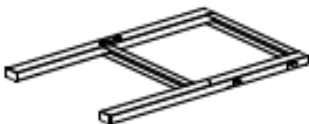

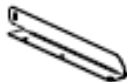







NO.	SCHEMATIC DIAGRAM	CONTENTS
B1		pegboard, 1pc
B2L		left standing bar, 1pc
B2R		right standing bar, 1pc
B3L		left leg, 1pc
B3R		right leg, 1pc
B4		wood board, 1pc
B5L		left connection, 1pc
B5R		right connection, 1pc
B6		hexgaon screw, M6X60, 4pcs
B7		spring for B6, 4pcs
B8		Philips screw, M6X37, 4pcs
B9		screw, M6X15, 2pcs
B10		wood screw, M5X16, 6pcs
B11		anchors, M6, 4pcs

fig.9

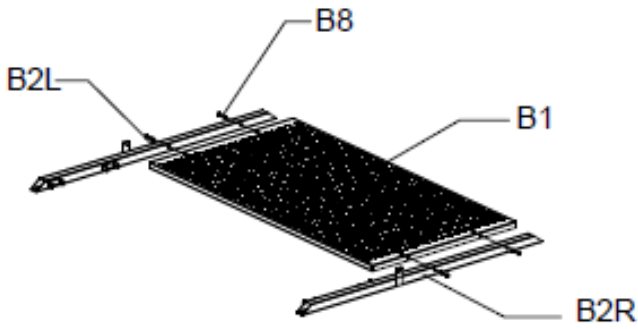


fig.10

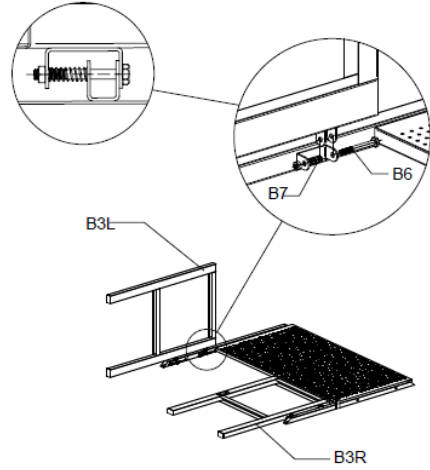


fig.11

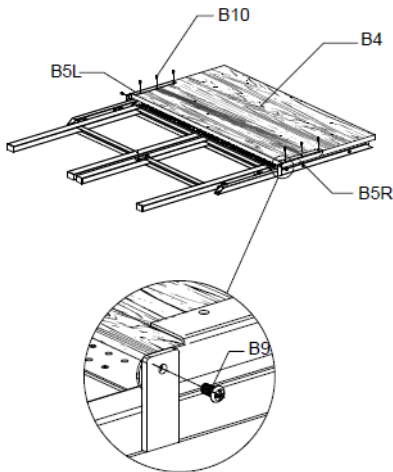
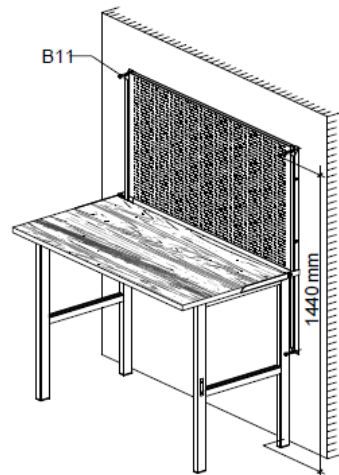


fig.12



Environmental Protection.

Recycle unwanted materials instead of disposing of them as waste. All tools, accessories and packaging should be sorted, taken to a recycle centre and disposed of in a manner which is compatible with the environment.

NOTE: It is our policy to continually improve products and as such we reserve the right to alter data, specifications and component parts without prior notice.

IMPORTANT: No liability is accepted for incorrect use of this product.

WARRANTY: Guarantee is 12 months from purchase date, proof of which will be required for any claim.



Sole UK Distributor, Sealey Group,
Kempson Way, Suffolk Business Park,
Bury St. Edmunds, Suffolk,
IP32 7AR



01284 757500



www.sealey.co.uk



01284 703534



sales@sealey.co.uk