



HARDWOOD TOP WORK BENCH

MODEL NO: **AP2010.V2**

Thank you for purchasing a Sealey product. Manufactured to a high standard, this product will, if used according to these instructions, and properly maintained, give you years of trouble free performance.

IMPORTANT: PLEASE READ THESE INSTRUCTIONS CAREFULLY. NOTE THE SAFE OPERATIONAL REQUIREMENTS, WARNINGS & CAUTIONS. USE THE PRODUCT CORRECTLY AND WITH CARE FOR THE PURPOSE FOR WHICH IT IS INTENDED. FAILURE TO DO SO MAY CAUSE DAMAGE AND/OR PERSONAL INJURY AND WILL INVALIDATE THE WARRANTY. KEEP THESE INSTRUCTIONS SAFE FOR FUTURE USE.



Refer to instructions

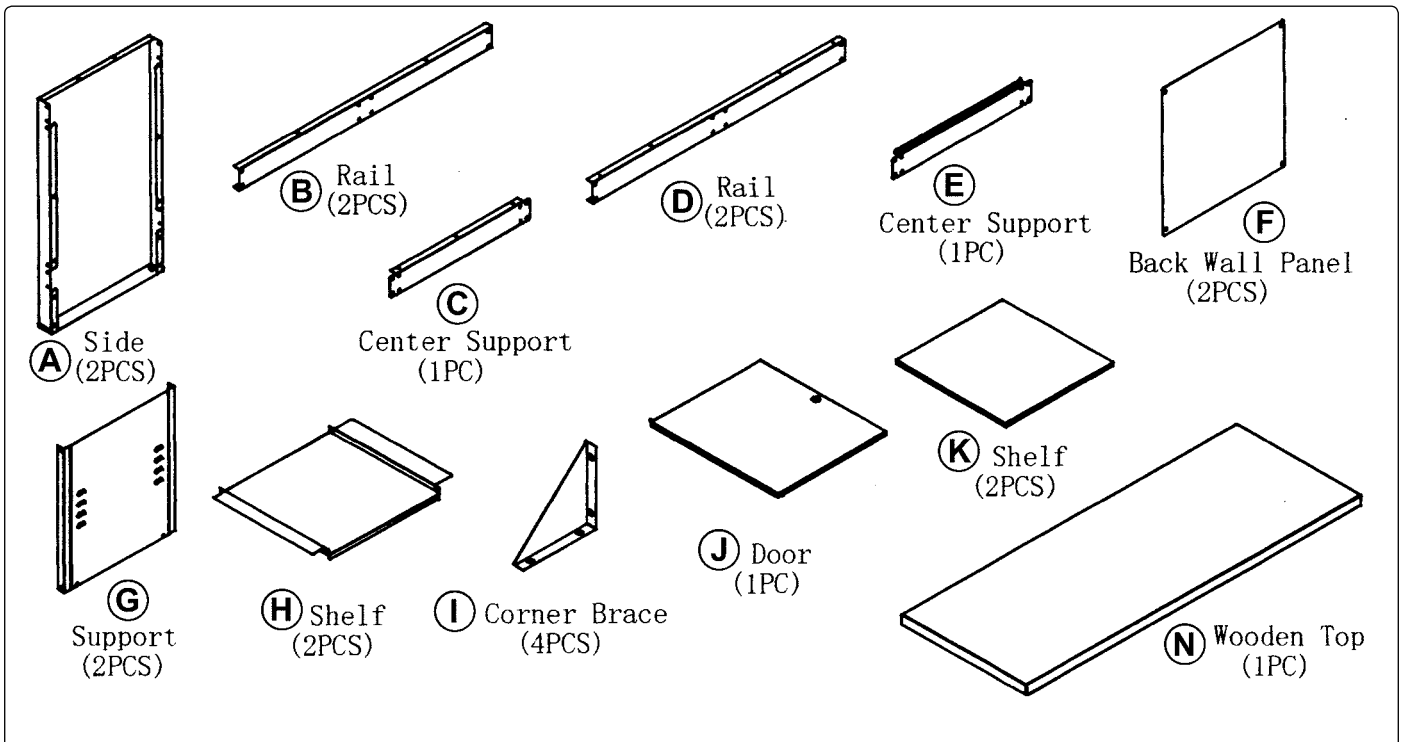
1. SAFETY

1.1 GENERAL SAFETY

- WARNING!** Ensure Health & Safety, local authority, and general workshop practice regulations are adhered to when using this bench.
- Locate bench in a suitable working area.
- Keep the work area clean, uncluttered and ensure there is adequate lighting.
- WARNING!** Use bench on level and solid ground, preferably concrete. Avoid tarmac since the bench may sink into the surface.
- Keep the bench clean and tidy in accordance with good workshop practice.
- Keep children and unauthorised persons away from the working area.
- DO NOT** use the bench for any purpose other than that for which it is designed.
- DO NOT** undertake work on the bench without the work-piece being adequately secured. Use clamps or a vice (not included) to secure the work-piece. Available from your Sealey Stockist.
- DO NOT** use the bench outdoors.
- DO NOT** get the bench wet or use in damp or wet locations or areas where there is condensation.
- DO NOT** clean the bench with any solvents which may damage the paint surface or the protective coating on the wooden top.

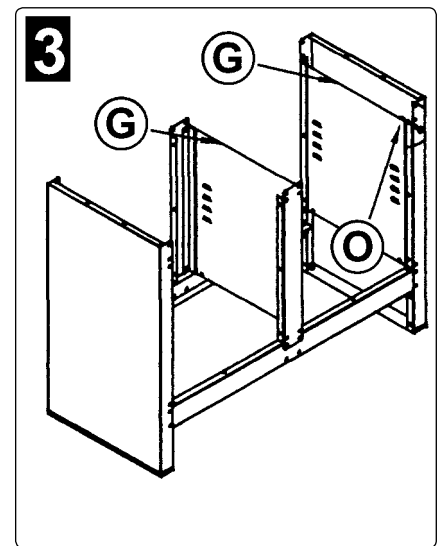
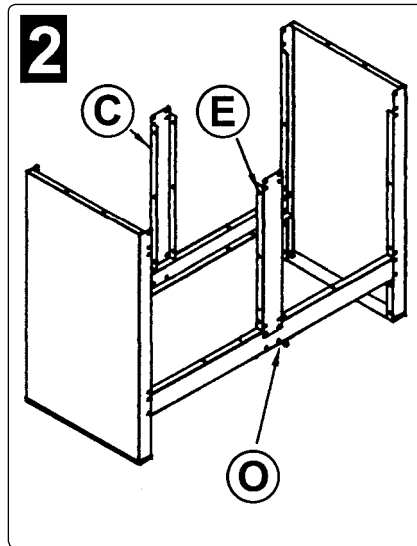
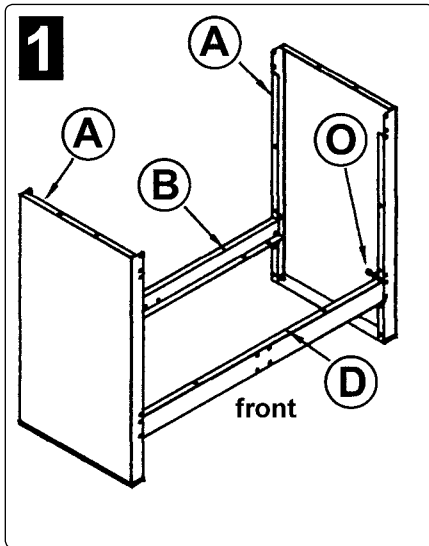
2. INTRODUCTION

Powder coated steel panels with 40mm wood laminate top. Features lockable cupboard with 6-pin tumbler lock and two keys. Supplied flat packed.

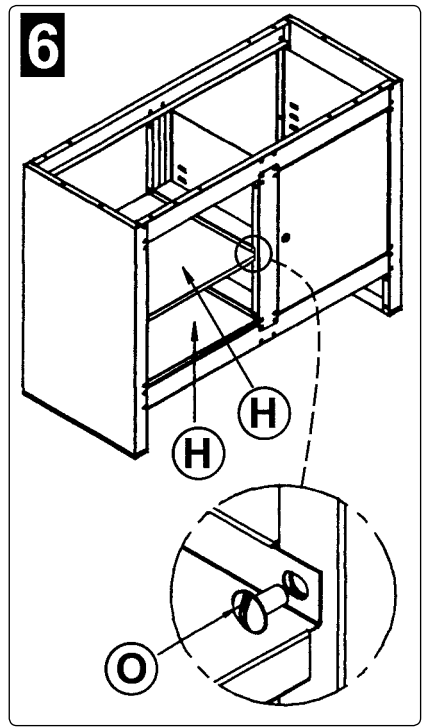
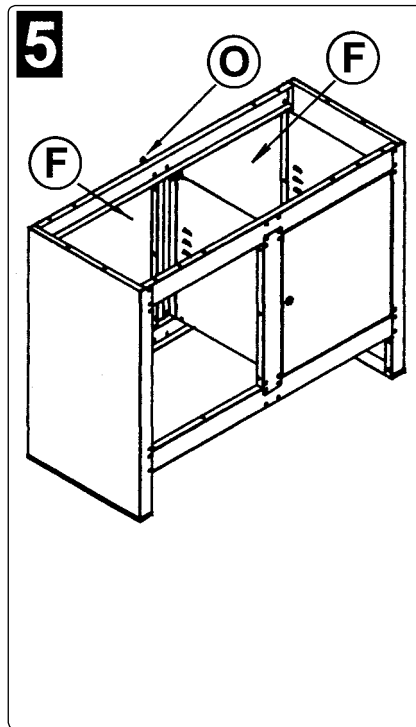
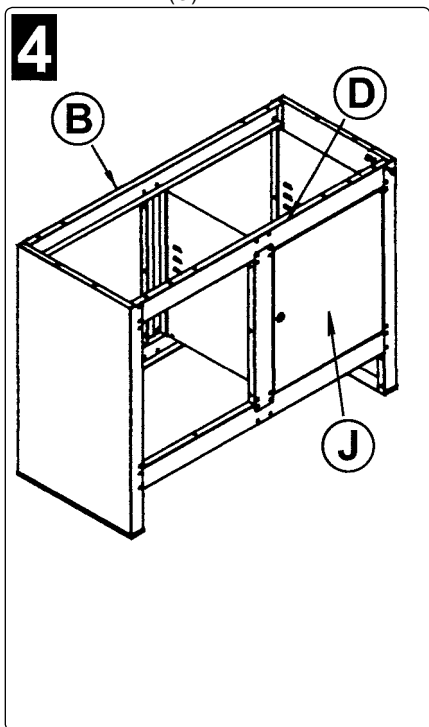


- 2.1. Carefully unpack the product and check the contents against the diagram below. Should any items be missing or damaged make immediate contact with your Sealey dealer.

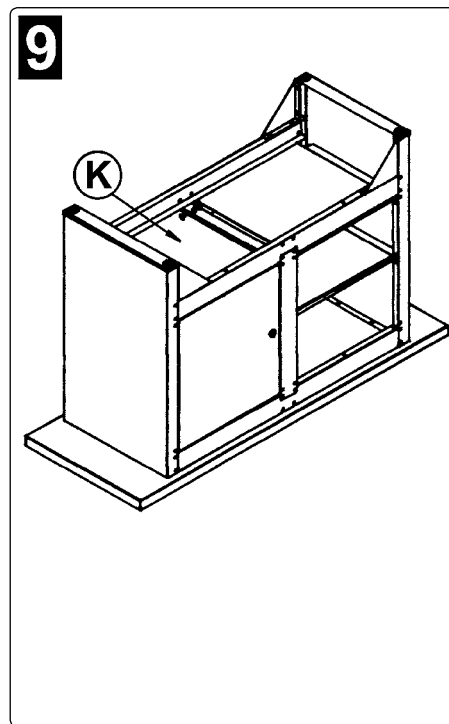
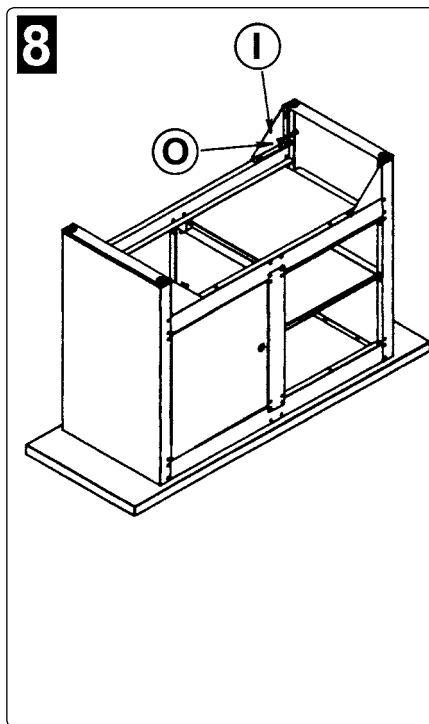
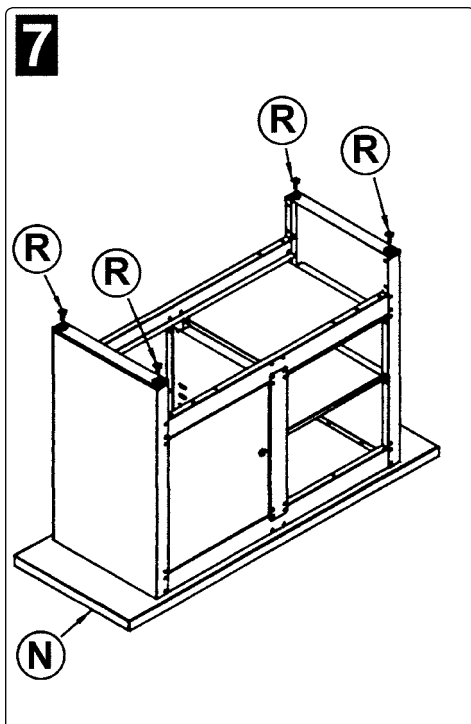
3. ASSEMBLY



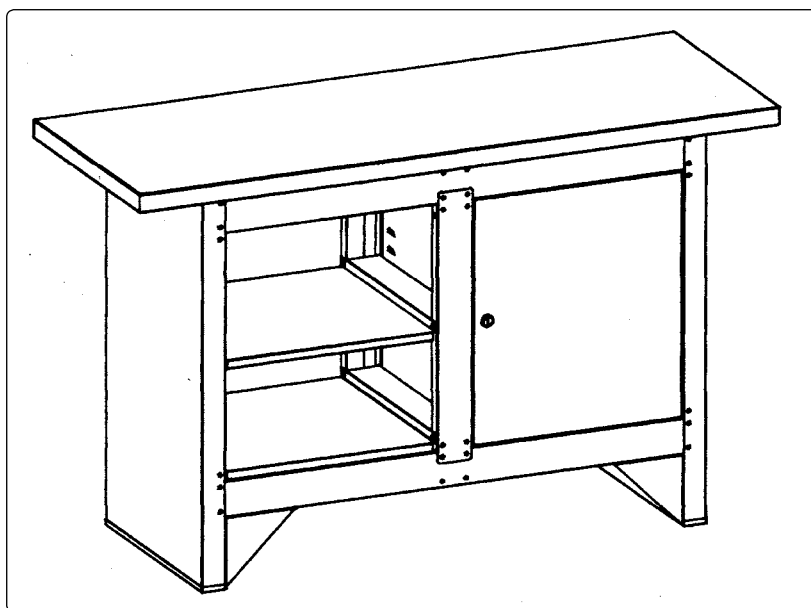
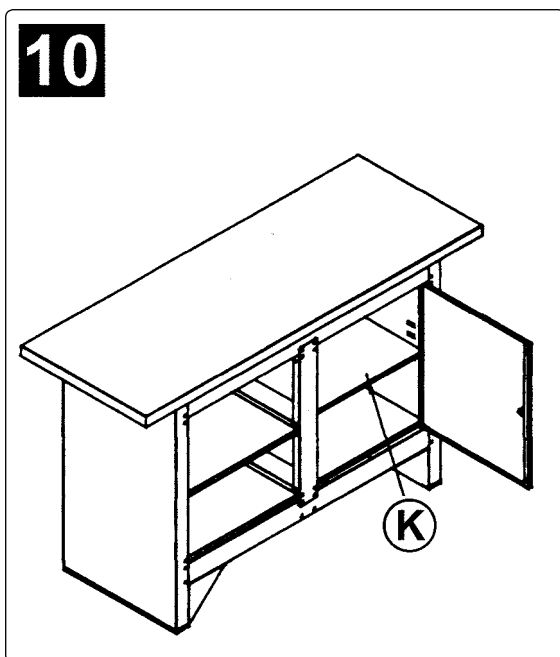
- 3.1. Take one cross-rail (B) and one cross-rail (D) and bolt them to the cabinet sides (A) using the self tapping screws (O). Ensure that the pairs of holes that accept the corner braces are facing downwards. (Refer to STEP 8.)
- 3.2. Bolt centre support (C) to the rear lower cross-rail (B) and front centre support (E) to the front lower cross-rail (D) using the self tapping (O).
- 3.3. Bolt inner shelf supports (G) to the centre supports and right hand side panel using the self tapping screws (O). Leave out top bolt on rear centre support until back panel is required in STEP 5.
- 3.4. Bolt into position rear cross-rail (B). Take door (J) and drop lower hinge pin into the hole in lower cross rail. Hold door in position and bolt in place front cross-rail (D) ensuring that the upper hinge pin has entered the hinge hole in underside of cross-rail. You will need the self tapping screws (O).



- 3.5. Bolt the two back wall panels (F) to the rear of the cabinet using the self tapping screws (O).
- 3.6. Bolt the two shelf parts (H) into the left hand compartment of the cabinet using the self tapping screws (O).



- 3.7. Place the wooden top (N) face down on a flat, clean, smooth surface. Place the cabinet upside down on the wooden top and align it with the four pre-drilled holes. Fix with the four hex head screws (S). Screw into place the four adjustable leg levellers (R).
- 3.8. Bolt the four corner braces (I) into place using the self tapping screws (O), 16 lock washers (P), and 16 nuts (Q).
- 3.9. Bolt one shelf part (K) to the underside of the cupboard compartment as indicated above using the self tapping screws (O). **Tighten all fixings and turn workbench the right way up.**



- 3.10. Put shelf component (K) into place at desired height inside cupboard.
Place the finished workbench in its final location and adjust the leg levellers so that the bench is both level and stable in use.



ENVIRONMENT PROTECTION

Recycle unwanted materials instead of disposing of them as waste. All tools, accessories and packaging should be sorted, taken to a recycling centre and disposed of in a manner which is compatible with the environment. When the product becomes completely unserviceable and requires disposal, drain any fluids (if applicable) into approved containers and dispose of the product and fluids according to local regulations.

Note: It is our policy to continually improve products and as such we reserve the right to alter data, specifications and component parts without prior notice.

Important: No Liability is accepted for incorrect use of this product.

Warranty: Guarantee is 12 months from purchase date, proof of which is required for any claim.

Sealey Group, Kempson Way, Suffolk Business Park, Bury St Edmunds, Suffolk. IP32 7AR



01284 757500



01284 703534



sales@sealey.co.uk



www.sealey.co.uk