



# 1.52M WOODWORKING BENCH

MODEL NO: **AP1520.V2**

Thank you for purchasing a Sealey product. Manufactured to a high standard, this product will, if used according to these instructions, and properly maintained, give you years of trouble free performance.

**IMPORTANT:** PLEASE READ THESE INSTRUCTIONS CAREFULLY. NOTE THE SAFE OPERATIONAL REQUIREMENTS, WARNINGS & CAUTIONS. USE THE PRODUCT CORRECTLY AND WITH CARE FOR THE PURPOSE FOR WHICH IT IS INTENDED. FAILURE TO DO SO MAY CAUSE DAMAGE AND/OR PERSONAL INJURY AND WILL INVALIDATE THE WARRANTY. KEEP THESE INSTRUCTIONS SAFE FOR FUTURE USE.



Refer to instructions



Wear eye protection



Wear protective gloves



Wear safety footwear



Wear protective clothing

## 1. SAFETY

### 1.1. GENERAL SAFETY

- WARNING!** Ensure Health & Safety, local authority, and general workshop practice regulations are adhered to when using this bench.
- ✓ Locate the bench in a suitable work area.
- ✓ Keep the work area clean, uncluttered and ensure there is adequate lighting.
- WARNING!** Use the bench on level and solid ground, preferably concrete.
- ✓ Keep the bench clean and tidy in accordance with good workshop practice.
- ✓ Keep children and unauthorised persons away from the work area.
- ✗ **DO NOT** use the bench for any purpose other than for which it is designed.
- ✗ **DO NOT** undertake work on the bench without the workpiece being adequately secured
- ✗ **DO NOT** use the bench outdoors.
- ✗ **DO NOT** get the bench wet or use in damp or wet locations or areas where there is condensation.
- ✗ **DO NOT** clean the bench with any solvents which may damage the surface or the protective coating on the worktop.



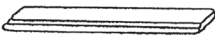



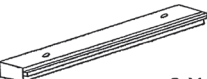
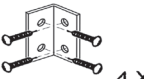
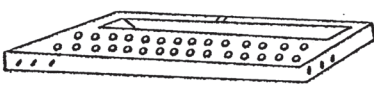
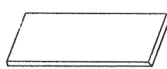


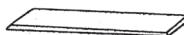
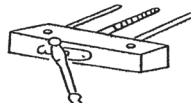
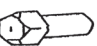
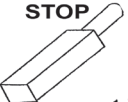





## 2. INTRODUCTION

Made from oak with a varnished finish. Features tool well, shelf, tool drawer, front and end vices, four metal bench stops and four wooden board jacks.

## 3. SPECIFICATION

Model No: ..... AP1520.V2  
 Size(W x D x H): ..... 1520 x 620 x 850mm  
 Vice dimensions (x2): ..... 280mm Wide x 190mm Opening  
 Worktop (W x D): ..... 1390 x 355mm

## 4. CONTENTS

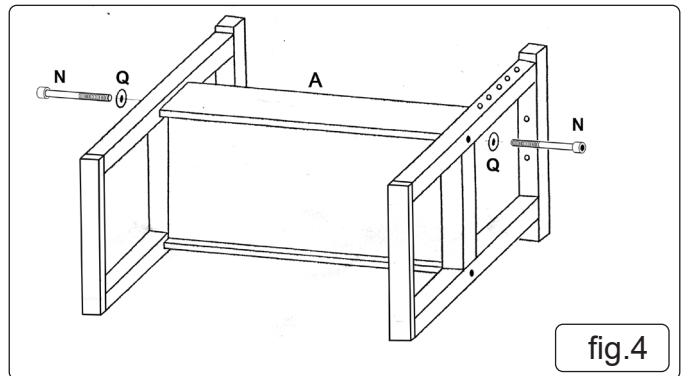
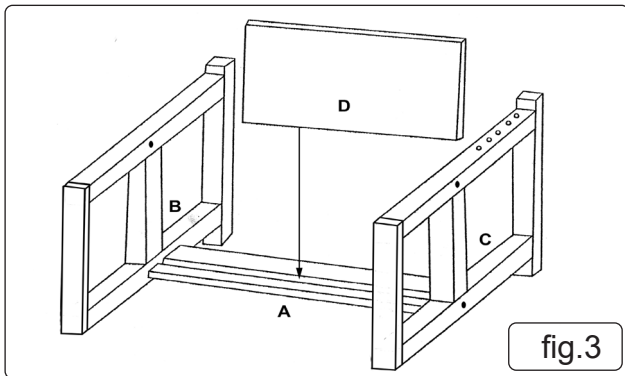
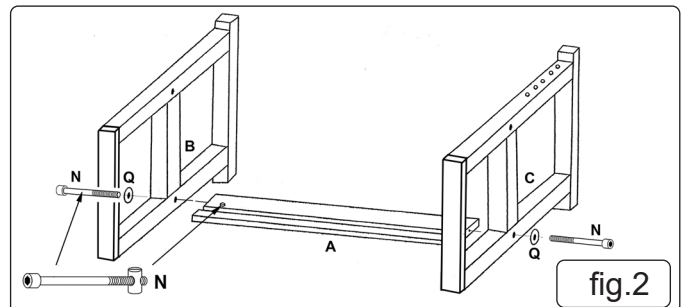
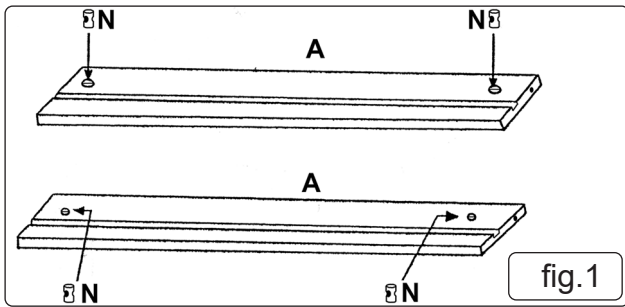
<b>A LEG BRACE</b>  2 X	<b>B END FRAME (LEFT HAND)</b>  1 X	<b>C END FRAME (RIGHT HAND)</b>  1 X	<b>D SHELF</b>  1 X
<b>E DRAW RUNNER</b>  2 X	<b>S DRAW JOINING PLATE SET WITH FOUR SCREWS</b>  4 X	<b>F BENCH TOP</b>  1 X	<b>G DRAW FRONT</b>  1 X
<b>H DRAWER SIDE</b>  2 X	<b>I DRAW BOTTOM</b>  1 X	<b>J DRAW BACK</b>  1 X	<b>K VICE</b>  2 X
<b>L METAL STOP</b>  4 X	<b>M WOODEN STOP</b>  4 X	<b>N TWO PART CONNECTOR</b>  4 X	<b>O HEX HEADED SCREW FOR FIXING BENCH TOP</b>  4 X
<b>P SCREWS FOR FIXING DRAW RUNNERS</b>  4 X	<b>Q WASHER</b>  8 X	<b>R ALLEN KEY</b>  1 X	

## 5. ASSEMBLY

Unpack the product and check contents against the attached contents diagram prior to assembly. Should there be any damaged or missing parts contact your supplier immediately.

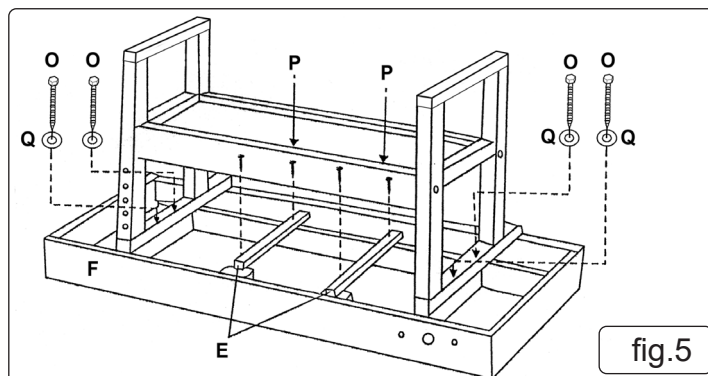
### 5.1. TABLE SUPPORT ASSEMBLY

- 5.1.1. Take the 2 threaded stubs from the two part connector (fig 1 - N) and insert one each into hole at either end of leg brace (fig 1 - A).
  - 5.1.2. Rotate the screwdriver end slot so it is parallel to the longer edge of leg brace.
  - 5.1.3. Repeat for other leg brace (fig 1 - A).
  - 5.1.4. Attach left hand end frame (fig 2 - B) to cross brace (fig 2 - A) with two part connector socket cap bolt (fig 2 - N) and washer (fig 2 - Q) and tighten with allen key (R).
  - 5.1.5. Repeat for right hand end frame (fig 2 - C).
- NOTE: DO NOT** fully tighten
- 5.1.6. Position shelf (fig 3 - D) into the slot in leg brace (fig 3 - A) and between end frames (fig 2 - B & C).
  - 5.1.7. Position the other leg brace (fig 4 - A) slot onto the shelf with two part connector socket cap bolt (fig 4 - N) and washer (fig 4 - Q) and tighten with allen key.
  - 5.1.8. Ensure that the table support is flat and square before fully tightening the two part connector socket cap bolts (N).



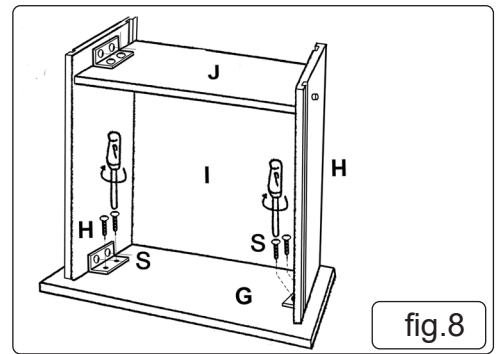
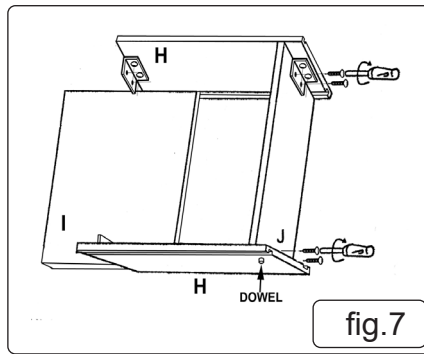
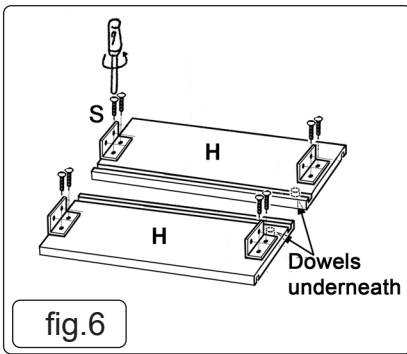
### 5.2. ATTACHING THE BENCH TOP

- 5.2.1. Place the bench top (fig 5 - F) face down onto some protective material (e.g. packaging cardboard).
  - 5.2.2. Attach the draw runners (fig 5 - E) with the screws (fig 5 - P) into the pre-drilled holes in the bench top.
- NOTE:** Ensure that the dowel pins are to be placed to the front of the bench and that the draw runners are facing inwards.
- 5.2.3. Seeking assistance from another person turn the table support assembly upside down and locate into place onto the bench top and secure into the pre-drilled holes with hex head screws (fig 5 - O) and washers (fig 5 - Q).
  - 5.2.4. Again seeking assistance from another person turn the bench assembly back over onto its support frame.



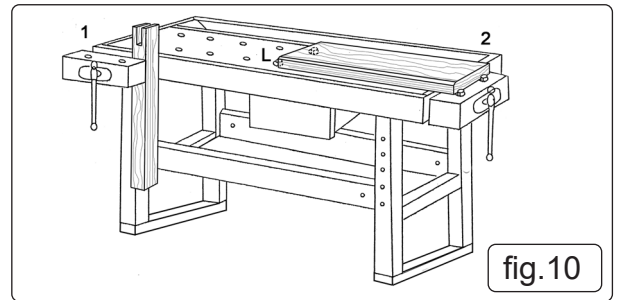
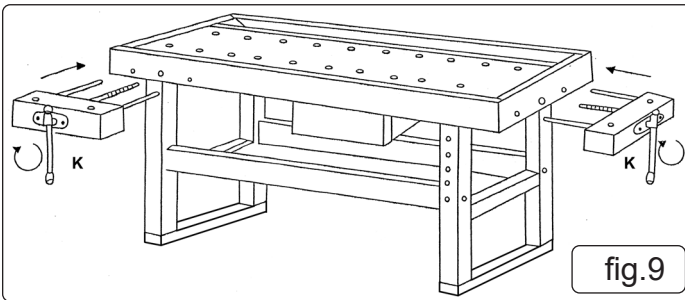
### 5.3. DRAWER ASSEMBLY

- 5.3.1. Place the drawer sides (fig 6 - H) on a flat surface, with the dowel pins facing downwards.
- NOTE:** The drawer sides are handed.
- 5.3.2. Attach the drawer joining plates and screws (fig 6 - S) into the pre-drilled holes.
  - 5.3.3. Attach the drawer back (fig 7 - J) to the drawer sides. Ensure that the slots are aligned on the inner faces.
  - 5.3.4. Slide the drawer bottom (fig 6 - I) into the slots on the drawer sides and the slot in the drawer back and push home.
  - 5.3.5. Place the drawer front (fig 8 - G) with the pre-drilled holes facing upwards onto a flat surface.
  - 5.3.6. Position the part assembled drawer so that the drawer joining plates align with the pre-drilled holes and secure with the remaining screws (fig 8 - S).
  - 5.3.7. Place the assembled drawer onto the draw runners and slide into position.



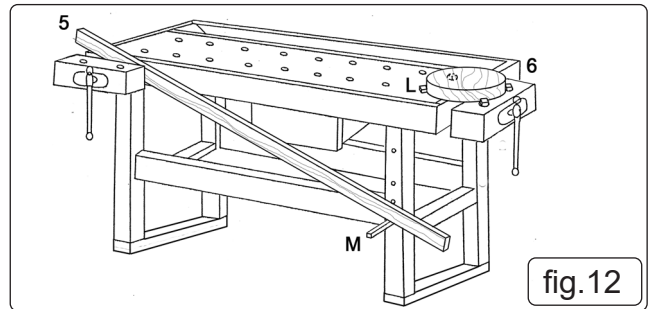
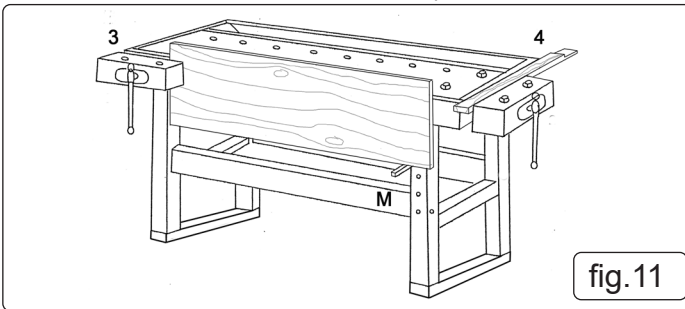
#### 5.4. ATTACHING THE VICE

- 5.4.1. Securely hold the vice (fig 9 - K) and introduce the three protruding shafts into the corresponding holes in the front of the work bench.
- 5.4.2. Rotate the vice handle clockwise (central shaft) until the thread engages with the threaded casting situated on inside face of the work bench (fig 9 - K). Continue rotating the handle clockwise until the vice is closed.
- 5.4.3. Repeat for the other vice, located on the right hand side of the work bench.
- 5.4.4. To open the vice turn the handle anti-clockwise.
  - ❑ **WARNING!** Be aware that the vice will disengage from the work bench if the vice handle is rotated anti-clockwise too far.



### 6. BENCH CONFIGURATION

- 6.1. The features of the work bench can be utilised to safely and firmly grip a workpiece in a varied number of ways.
  - 6.1.1. Smaller workpieces can be held in either vice (fig 10 - 1) or (fig 11 - 4).
  - 6.1.2. Larger workpieces (fig 10 - 2) can be held on the top surface of work bench using the metal stops (fig 10 - L) inserted into suitable holes in the work bench top surface.
  - 6.1.3. Larger sheet workpieces can be held using the front vice (fig 11 - 3) and a wooden stop (fig 11 - M) inserted into a suitable hole in the right hand leg support.
  - 6.1.4. Longer workpieces can be held at an angle using the front vice (fig 12 - 5) and a wooden stop (fig 12 - M) inserted into a suitable hole in the right hand leg support.
  - 6.1.5. Irregular shaped workpieces (fig 12 - 6) can be held on the top surface of work bench using the metal stops (fig 10 - L) inserted into suitable holes in the work bench top surface and the vice, which can also be rotated to suit.



#### ENVIRONMENT PROTECTION

Recycle unwanted materials instead of disposing of them as waste. All tools, accessories and packaging should be sorted, taken to a recycling centre and disposed of in a manner which is compatible with the environment. When the product becomes completely unserviceable and requires disposal, drain any fluids (if applicable) into approved containers and dispose of the product and fluids according to local regulations.

**Note:** It is our policy to continually improve products and as such we reserve the right to alter data, specifications and component parts without prior notice. Please note that other versions of this product are available. If you require documentation for alternative versions, please email or call our technical team on [technical@sealey.co.uk](mailto:technical@sealey.co.uk) or 01284 757505.

**Important:** No Liability is accepted for incorrect use of this product.

**Warranty:** Guarantee is 12 months from purchase date, proof of which is required for any claim.

Sealey Group, Kempson Way, Suffolk Business Park, Bury St Edmunds, Suffolk. IP32 7AR

☎ 01284 757500

📠 01284 703534

✉ [sales@sealey.co.uk](mailto:sales@sealey.co.uk)

🌐 [www.sealey.co.uk](http://www.sealey.co.uk)