



1.2M WORKBENCH WITH DRAWER

MODEL NO: **AP12160**

Thank you for purchasing a Sealey product. Manufactured to a high standard, this product will, if used according to these instructions, and properly maintained, give you years of trouble free performance.

IMPORTANT: PLEASE READ THESE INSTRUCTIONS CAREFULLY. NOTE THE SAFE OPERATIONAL REQUIREMENTS, WARNINGS & CAUTIONS. USE THE PRODUCT CORRECTLY AND WITH CARE FOR THE PURPOSE FOR WHICH IT IS INTENDED. FAILURE TO DO SO MAY CAUSE DAMAGE AND/OR PERSONAL INJURY AND WILL INVALIDATE THE WARRANTY. KEEP THESE INSTRUCTIONS SAFE FOR FUTURE USE.



Refer to instructions



Wear protective gloves



Wear safety footwear



Wear protective clothing

1. SAFETY

1.0 GENERAL SAFETY

- WARNING!** Ensure Health & Safety, local authority, and general workshop practice regulations are adhered to when using this bench.
- ✓ Locate bench in a suitable work area.
- ✓ Keep the work area clean, uncluttered and ensure there is adequate lighting.
- WARNING!** Use bench on level and solid ground, preferably concrete.
- ✓ Keep the bench clean and tidy in accordance with good workshop practice.
- ✓ Keep children and unauthorised persons away from the work area.
- * **DO NOT** use the bench for any purpose other than that for which it is designed.
- * **DO NOT** undertake work on the bench without the workpiece being adequately secured. Use clamps or a vice (not included) to secure the workpiece - available from your Sealey stockist.
- * **DO NOT** use the bench outdoors .
- * **DO NOT** get the bench wet or use in damp or wet locations or areas where there is condensation.
- * **DO NOT** exceed the maximum load for the work surfaces, worktop - 100kg, bottom shelf and drawer - 20kg. Avoid heavy impacts when placing objects onto the surfaces.
- * **DO NOT** clean the bench with any solvents which may damage the surface or the protective coating on the worktop.

2. INTRODUCTION

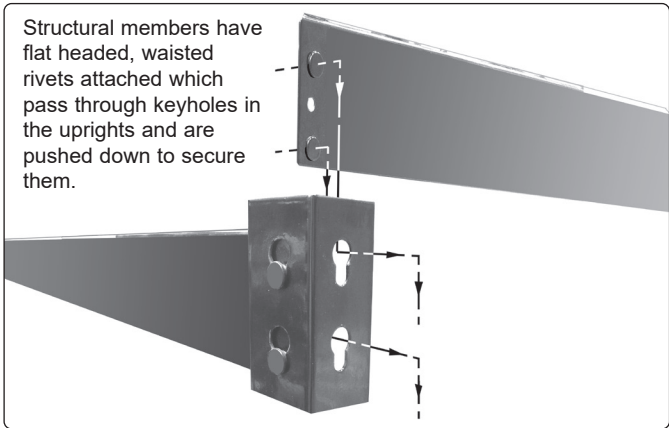
Boltless design makes the unit easy to assemble, with minimal tools being required. One large drawer with ball bearing slides, fitted with two handles. MDF Worktop measures 1210 x 605mm (W x D), and has a comfortable work height of 900mm. Fitted with anti-slip foot protectors.

3. SPECIFICATION

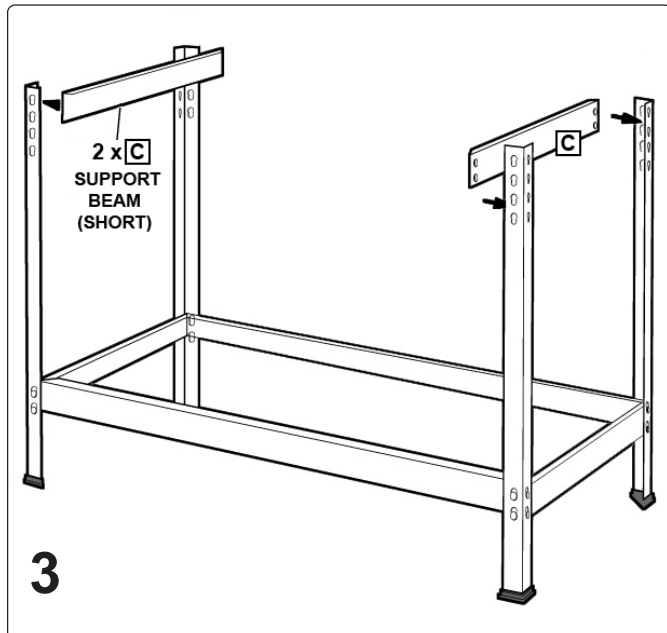
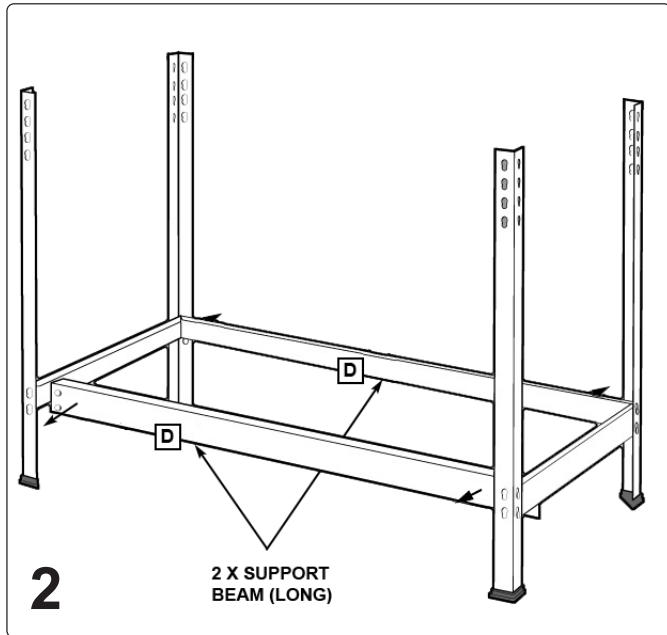
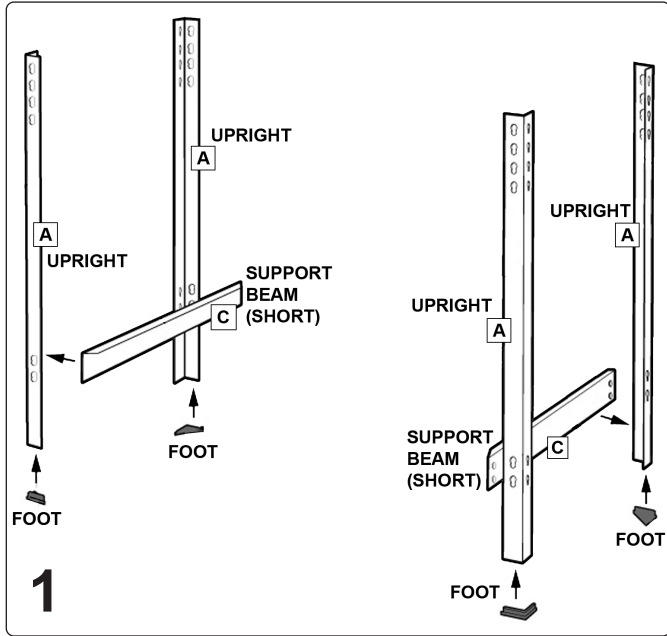
Model No.:..... **AP12160**
 Size (W x D x H) : 1210 x 605 x 900mm
 Worktop: 1210 x 605mm.
 Max Worktop Capacity : 100kg evenly distributed.
 Max Capacity of drawer: 20kg evenly distributed.
 Max Capacity of lower shelf: 50kg evenly distributed.

4. CONTENTS

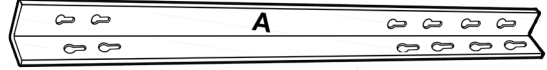
4.1. METHOD OF CONSTRUCTION



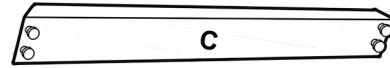
5. ASSEMBLY



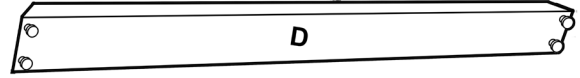
(A) UPRIGHTS x 4



(C) SUPPORT BEAM (SHORT) x 4



(D) SUPPORT BEAM (LONG) x 4



H(L) DRAWER SUPPORT (LEFT) x 1



H(R) DRAWER SUPPORT (RIGHT) x 1



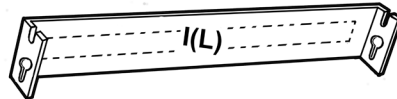
(F) DRAWER BACK x 1



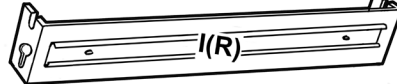
(G) DRAWER FRONT x 1



I (L) DRAWER SIDE (LEFT) x 1



I (R) DRAWER SIDE (RIGHT) x 1



MDF WORKTOP x1 (15mm MDF)

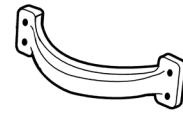


(6mm MDF) DRAWER BASE x1
LOWER SHELF x1

NUT, BOLT & WASHER x 8



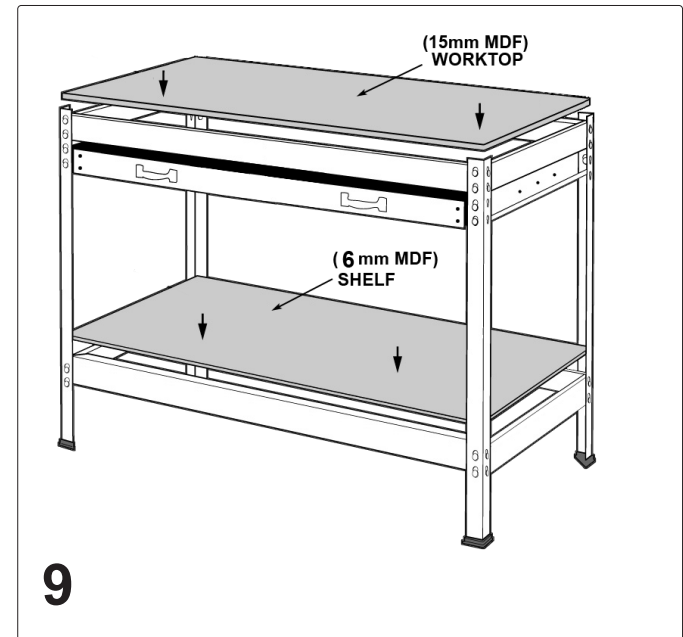
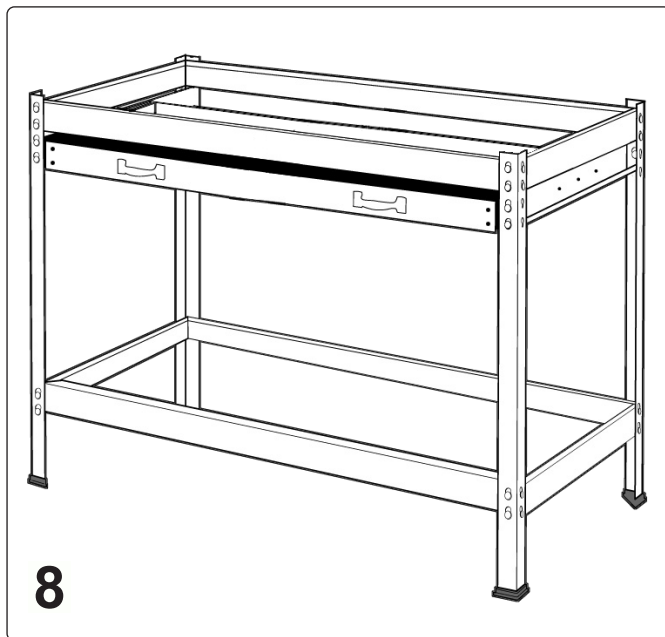
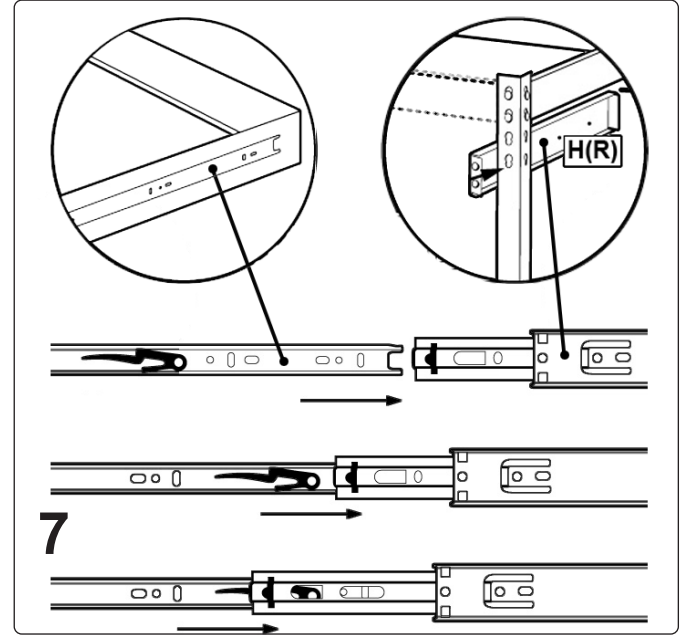
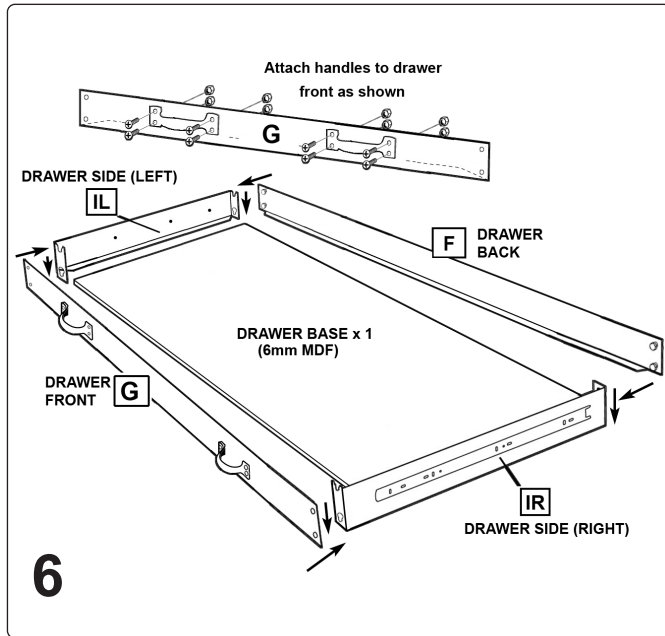
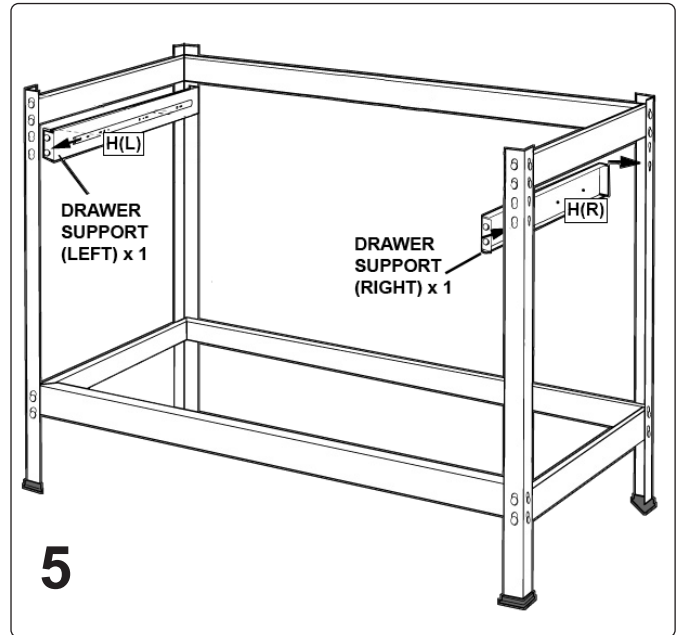
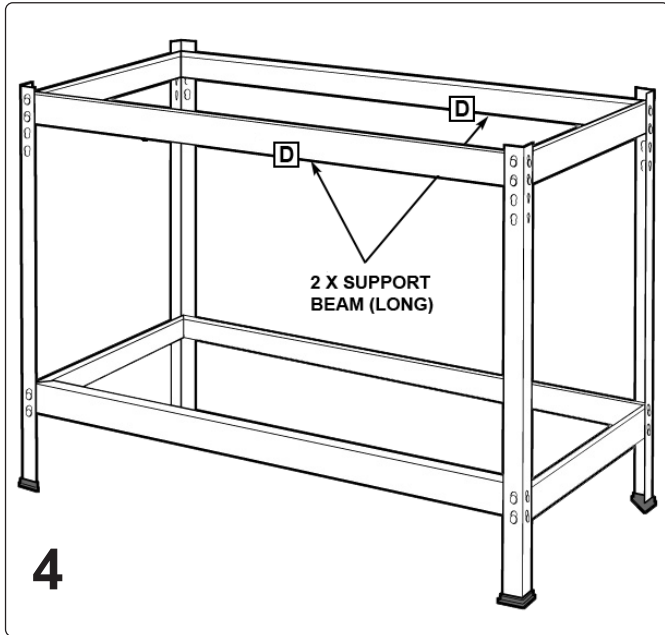
HANDLE x2



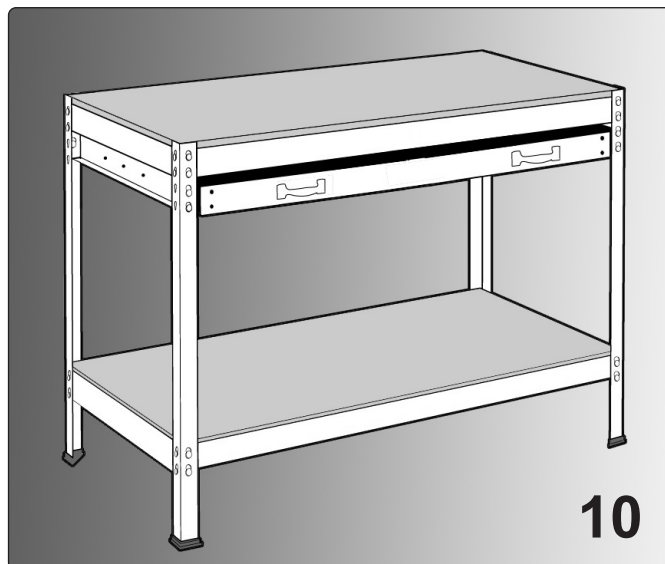
FOOT x4



4.3 CONTENTS



- 5.1 Study each diagram and identify the components required with reference to the parts list/drawing on page 1.
- 5.2 Build up the basic frame as shown in diagrams 1,2,3 & 4.
- 5.3 Attach the drawer supports to the basic frame as shown in diagram 5.
- 5.4 Assemble the drawer with reference to diagram 6. Place the 6mm MDF drawer base into the bottom of the drawer frame. Insert the drawer into the drawer runners as shown in diagrams 7 and 8.
- 5.5 Place the 15mm MDF board onto the top of the frame as shown in diagram 9 to form the worktop. Insert the other 6mm MDF board into the lower part of the frame and move it into position on the lower support beams to form the lower shelf. See diagrams 9 & 10.



Parts support is available for this product. Please email sales@sealey.co.uk or telephone 01284 757500



ENVIRONMENT PROTECTION

Recycle unwanted materials instead of disposing of them as waste. All tools, accessories and packaging should be sorted, taken to a recycling centre and disposed of in a manner which is compatible with the environment. When the product becomes completely unserviceable and requires disposal, drain any fluids (if applicable) into approved containers and dispose of the product and fluids according to local regulations.

Note: It is our policy to continually improve products and as such we reserve the right to alter data, specifications and component parts without prior notice.

Important: No Liability is accepted for incorrect use of this product.

Warranty: Guarantee is 12 months from purchase date, proof of which is required for any claim.

Sealey Group, Kempson Way, Suffolk Business Park, Bury St Edmunds, Suffolk. IP32 7AR



01284 757500



01284 703534



sales@sealey.co.uk



www.sealey.co.uk